



**BS British Standard 1 | General Purpose | High Efficiency | Aluminium  
2 pole 50Hz | 0.18(kW) | W-DA63SF**

Performance Data	
Performance Data	Value
Output (kW)	0.18
Pole	2
Full load speed (RPM)	2810
Full Load Torque (Nm)	0.612
Full load current @ 380V (A)	0.65
Full load current @ 400V (A)	0.62
Full load current @ 415V (A)	0.62
Efficiency Full load (%)	60
Efficiency 3/4 load (%)	55
Efficiency 1/2 load (%)	46
Power Factor Full load	0.7
Power factor 3/4 load	0.61
Power Factor 1/2 load	0.5
Direct on line starting torque ratio	1.9
Direct on line starting current ratio	3.5
Direct on line Pull out torque ratio	2.4
Direct on line Pull up torque ratio	1.7
Rotor inertia (kgm <sup>2</sup> )	0.0005
Mean sound pressure @1m on no load (dB(A))	52

Shaft Loads	
Mounting	Shaft Load (Nm)
Horizontal shaft load towards motor	324
Horizontal shaft load away motor	480
Vertical shaft up, load towards motor	316
Vertical shaft up, load away motor	491
Vertical shaft down, load towards motor	335
Vertical shaft down, load away motor	472
Maximum radial load at end of shaft	434
Bearing life (hours)	20000

Standard Features	
Feature	Standard Product
Frequency (Hz)	50Hz / 60Hz
Enclosure	IP55 protection
Cooling Method	IC411 TEFV (Totally Enclosed Fan Ventilated)
T-box position	Top
Lubrication	Regreasing facilities available on request
Balance	Grade N
Bearings	Ball/ball C3 clearance
Drain Holes	160 & 180 frame only
Temperature Rise	Class B (80°C)
Insulation Class	Class F (155°C)
Duty Cycle	S1 continuous rated
Earth Facility	Internal and external
Thermal Protection	Available on request

Bearings and Oil Seals	
Feature	Standard Product
Drive end bearing	62022Z
Non-drive end bearing	62022Z
Drive end oil seal	15 x 24 x 5
Non drive end oil seal	15 x 24 x 5
Grease life (horizontal mounting)	30,000
Grease life (vertical mounting)	30,000

Variations to the standard specification can be supplied on request

All data is subject to confirmation by BROOK MTL

E&OE

**BROOK-MTL**, 63 Allens Road, East Tamaki, Auckland 2161, New Zealand  
Tel +64 9 271 6063 - Fax +64 9 271 6020 www.brookmtl.co.nz - [info@brookmtl.co.nz](mailto:info@brookmtl.co.nz)

Associate company: [Rotating Machinery Supplies](http://Rotating Machinery Supplies), 6 Devon Road, Hamilton 3242 [rotatingmachinery@clear.net.nz](mailto:rotatingmachinery@clear.net.nz)  
[Soco Electric Motors](http://Soco Electric Motors), 473 Tremaine Ave, Palmerston North 4412 [sales@soco.co.nz](mailto:sales@soco.co.nz)

CUSTOMER

ORDER No.

PART No.

FRAME SIZE

KW.

HZ

VOLTS

BRGS.

MOTOR NETT WT.

SPECIAL REMARKS

RPM.

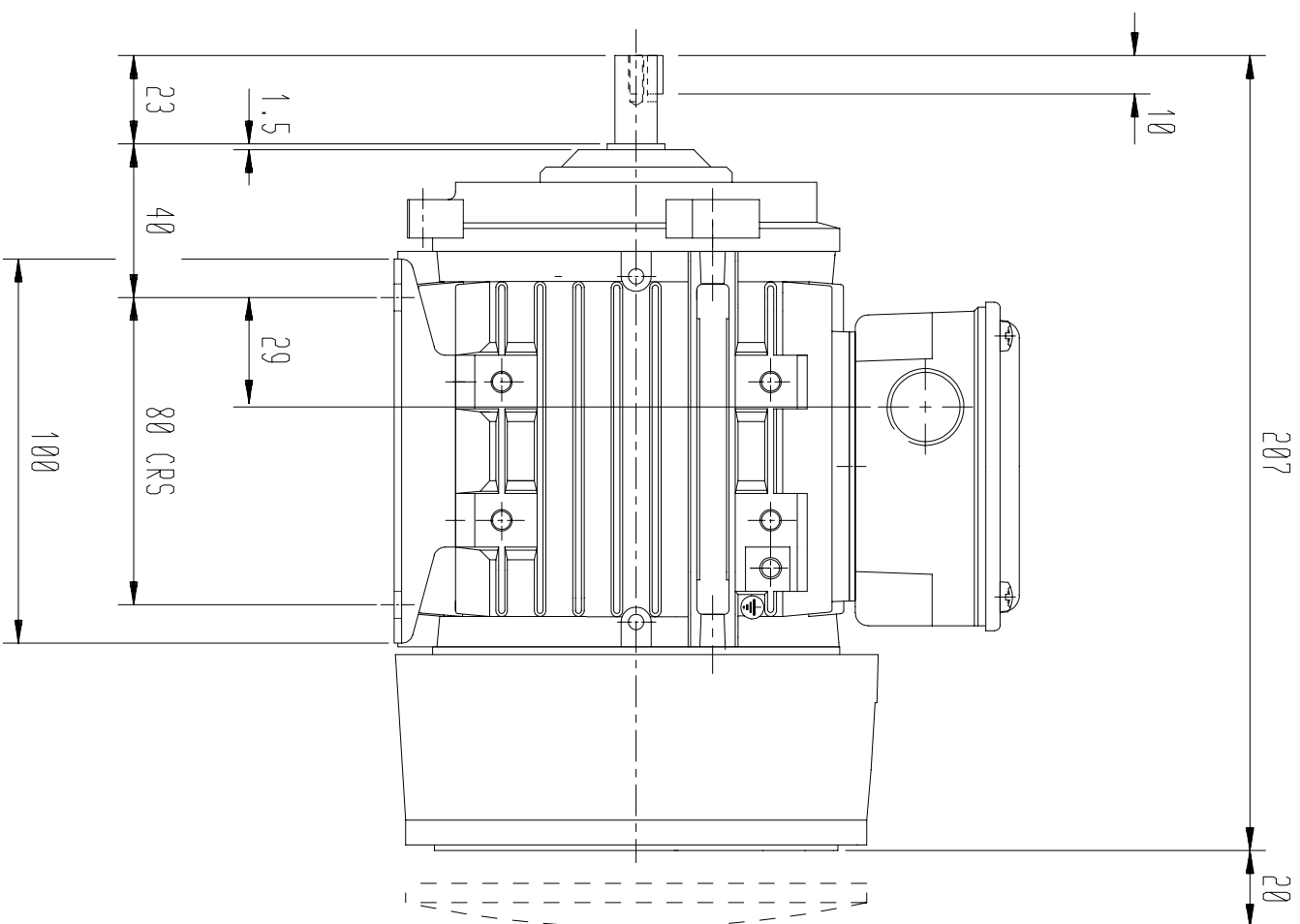
PHASE

POLES

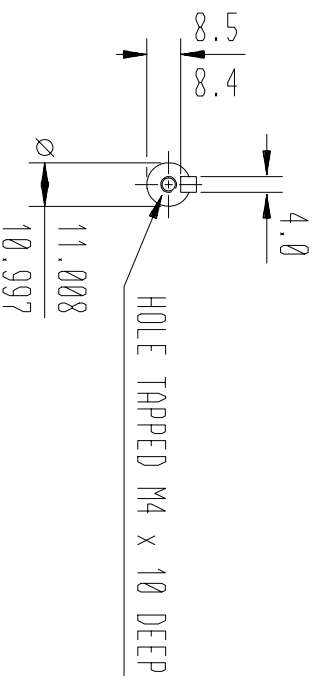
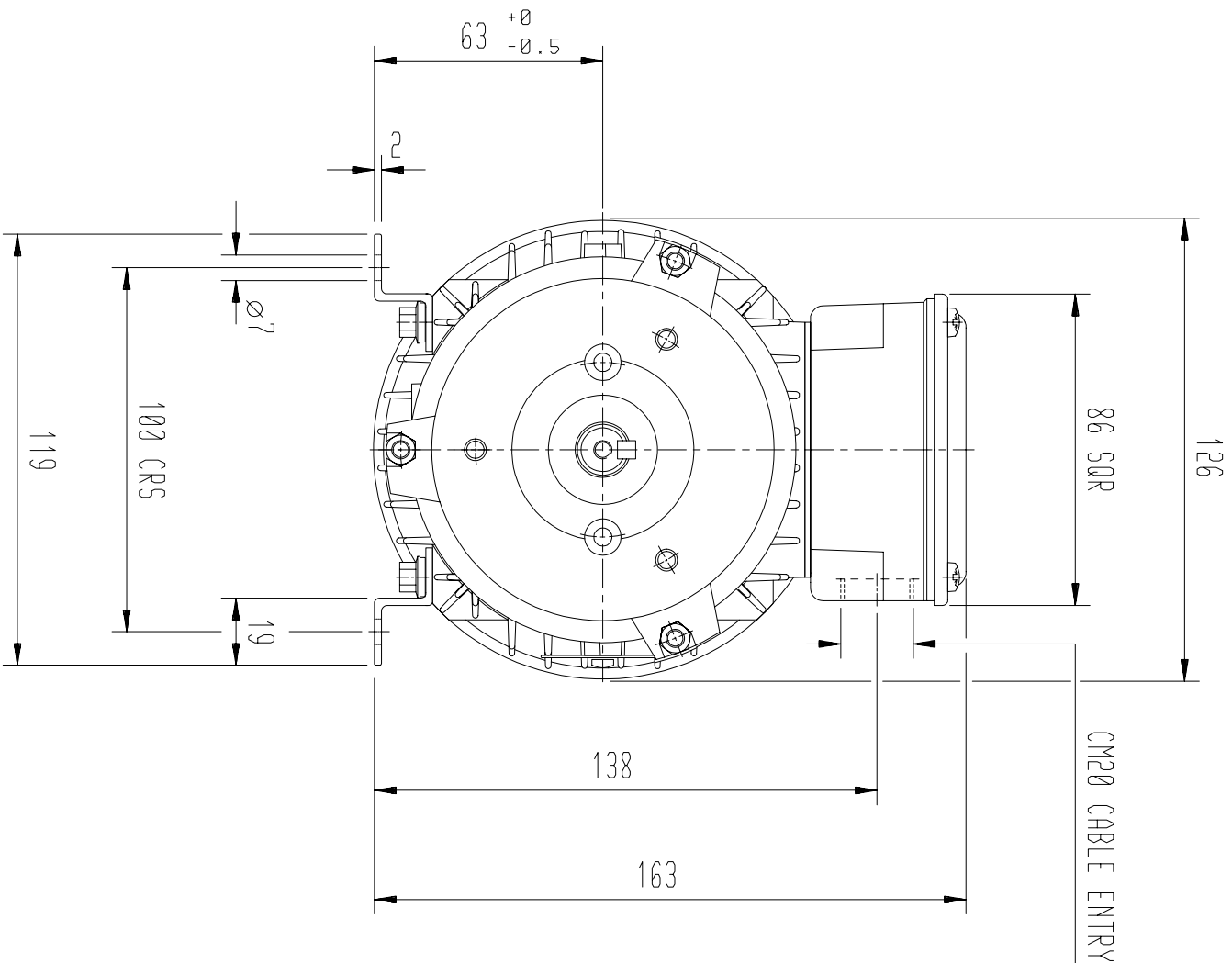
DE.

NDE.

Kg.



DRIP-PROOF COWL FITTED  
ONLY WHEN REQUIRED



HOLE TAPPED M4 x 10 DEEP

OUTLINE DIMENSION DRAWING ALUMINIUM TOTALLY ENCLOSED FAN COOLED

D63S FRAME FOOT MOUNTED MOTOR - WITH D71 TERMINAL BOX.

TERMINAL BOX CAN BE ARRANGED IN 9 OR 3 O'CLOCK POSITIONS.  
CONDUIT ENTRY CAN BE ARRANGED IN 4 ALTERNATIVE POSITIONS.

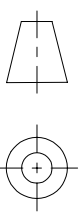
A3

SHEET SIZE

TITLE

DRAWN	NAME	DATE
CHECKED	AH	04-11-96
SCALE	DJR	04-11-96
		1:2

ALL DIMENSIONS IN MILLIMETRES.



FIRST ANGLE  
PROJECTION

**BROOK PROMPTON**

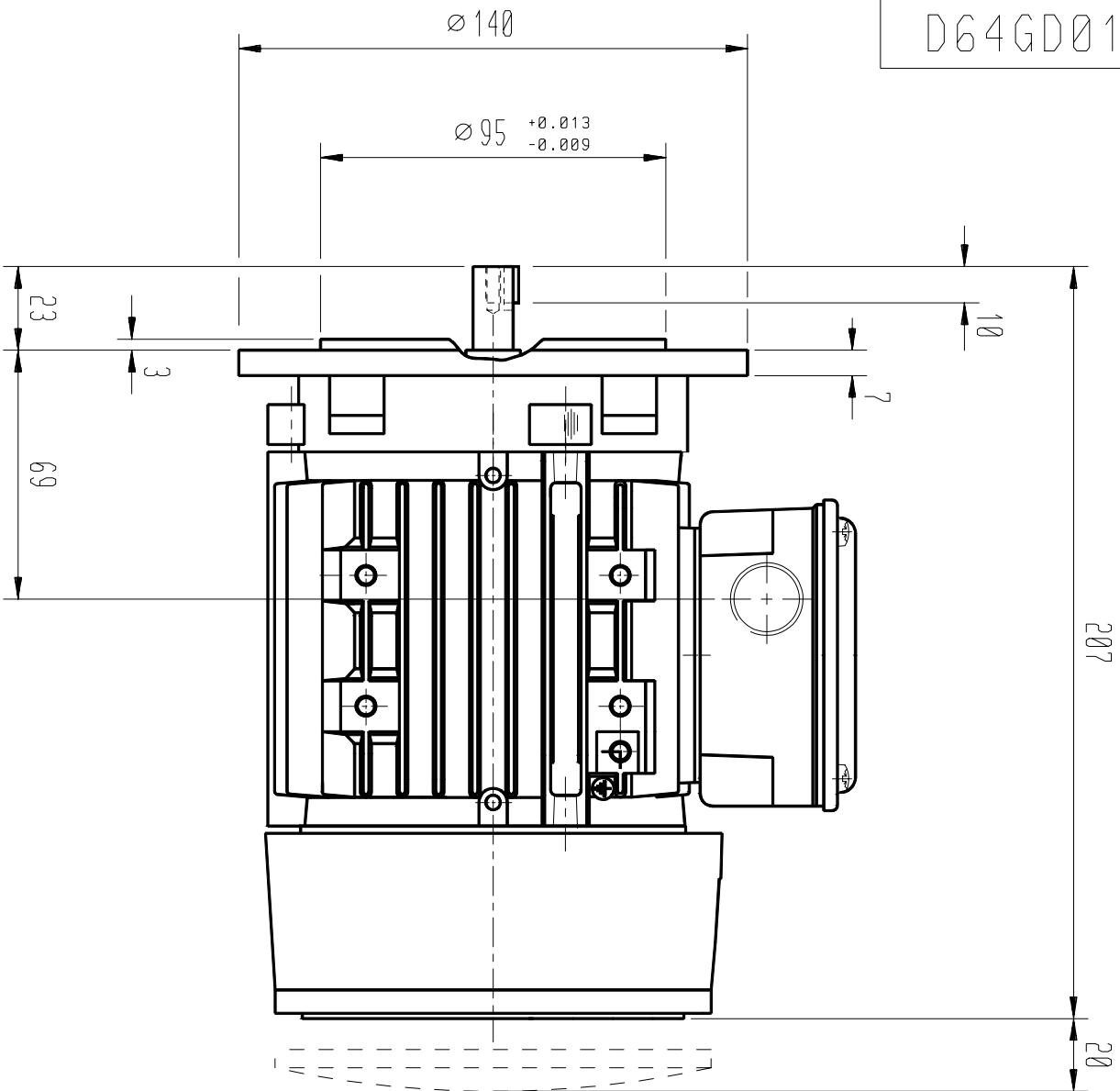
Small Industrial Motors

Huddersfield, W. Yorkshire, HD1 3LJ

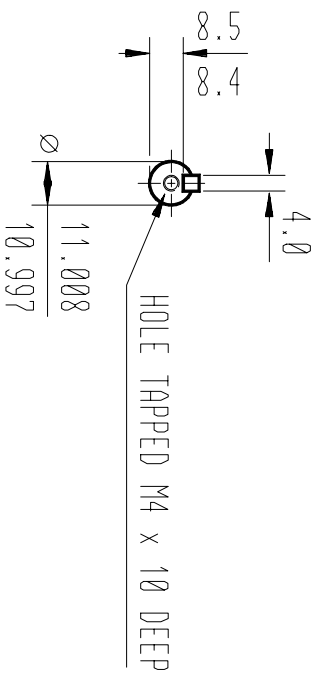
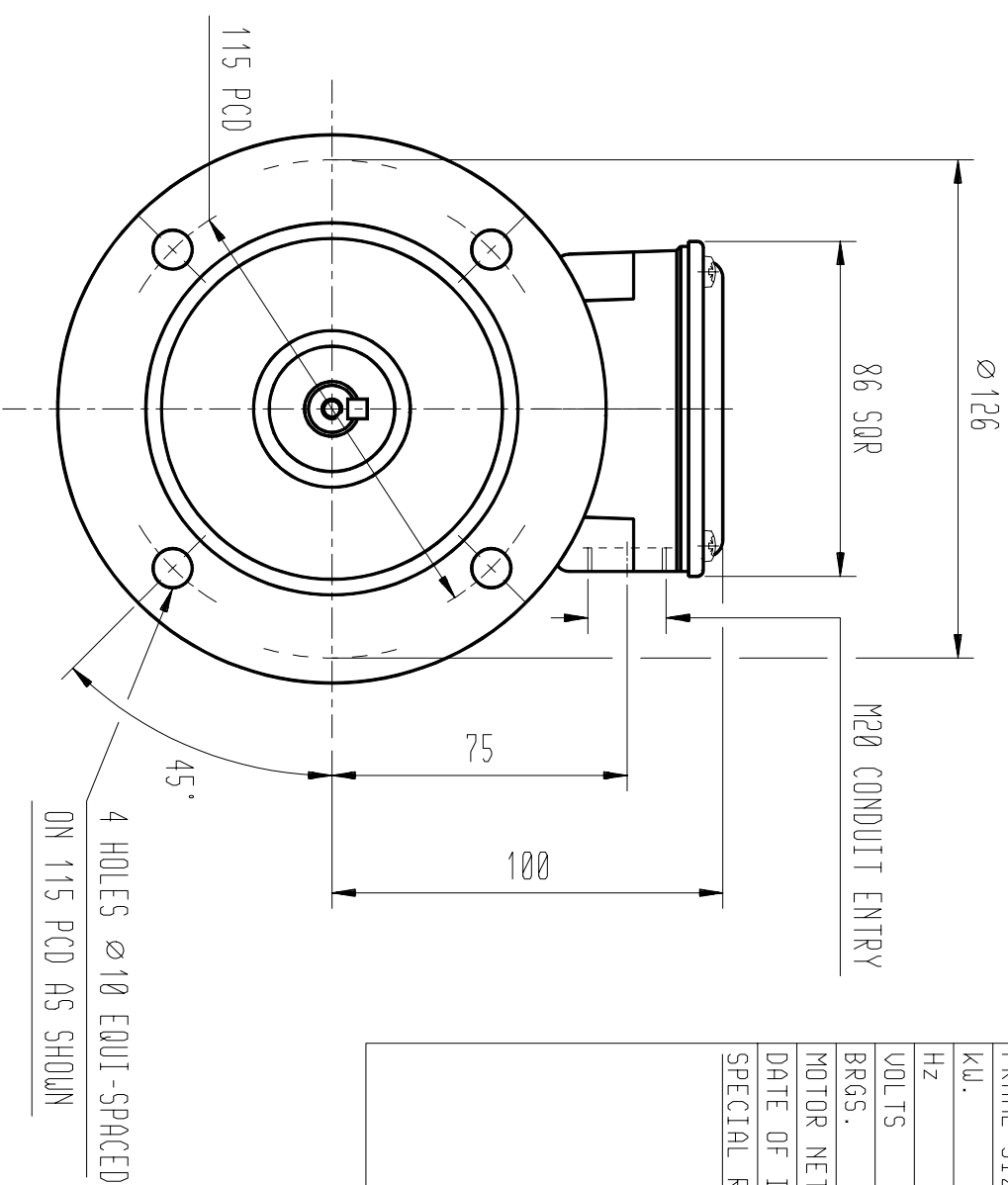
DRG. No. D64GF002/1

DRG. REF. -

REVISION: DH DATE 12-09-02



DRIP-PROOF COWL FITTED  
ONLY WHEN REQUIRED



TERMINAL BOX CAN BE ARRANGED IN 9 OR 3 O'CLOCK POSITIONS.  
CONDUIT ENTRY CAN BE ARRANGED IN 4 ALTERNATIVE POSITIONS.  
ALL DIMENSIONS IN MILLIMETRES.

OUTLINE DIMENSIONS OF TEFU D635 FRAME 'D' METRIC FLANGE MOUNTED ALUMINIUM MOTOR WITH D71S/M TERMINAL BOX.

DRN.

A.H

CK'D.

D.J.R

DATE 4 NOVEMBER 96

SCALE HALF SIZE

MAT'L. N/A

DRAWING NUMBER

D64GD015/2

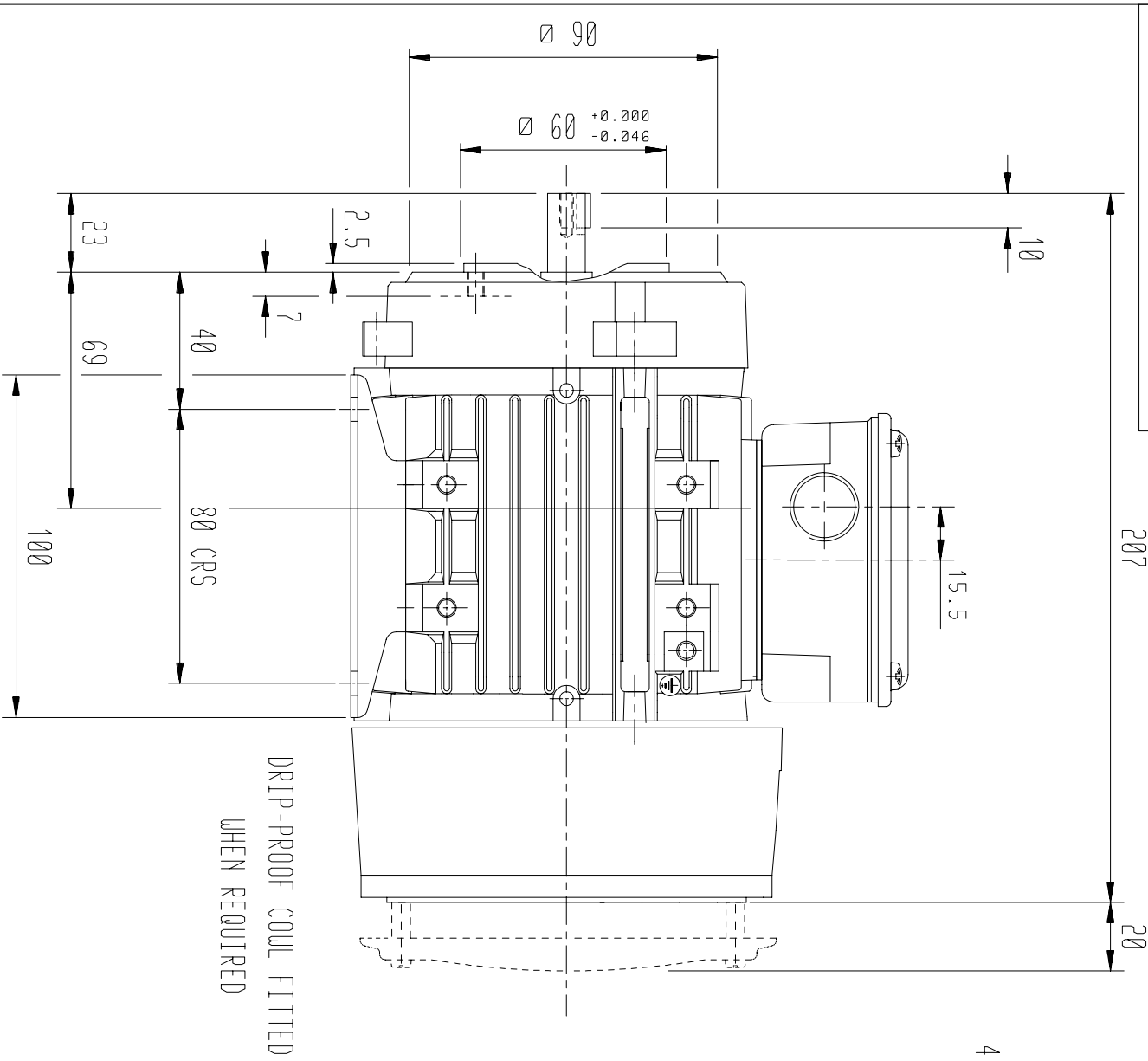
SHEET ALT 1 - FLANGE SPIGOT TOL'S AMENDED TO IEC 72 - RR 04-05-01  
SIZE ALT 2 - TAPPED HOLE IN SHAFT M4 WAS M5 - DH 28-08-01

A3

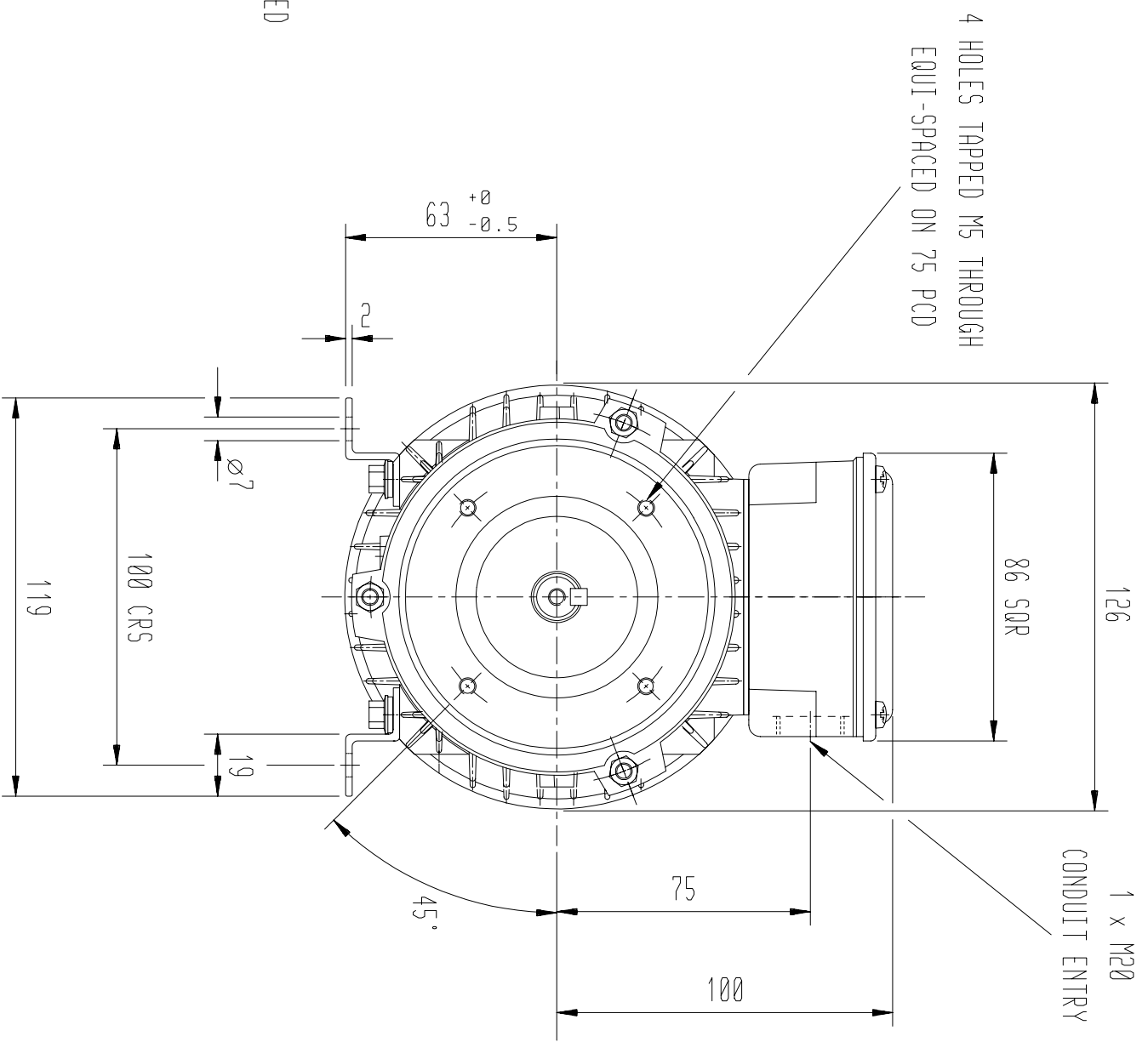
Q.A. APPROVED  
UNTOLERANCED M/C DIMENSIONS 0.13mm  
CERTIFICATED DRGS MUST NOT BE ALTERED WITHOUT BASEEFA APPROVAL. CERTIFICATE RELATED DRGS MUST NOT BE ALTERED WITHOUT DESIGN MANAGER'S APPROVAL.

CUSTOMER.	
ORDER No.	
SERIAL No.	
FRAME SIZE	
KV.	RPM.
Hz	PHASE
VOLTS	POLES
BRGS.	DE.
MOTOR NETT WT.	NDE.
DATE OF ISSUE	Kg.
SPECIAL REMARKS	

DRG. No. D64G007/1  
 DRG. REF.

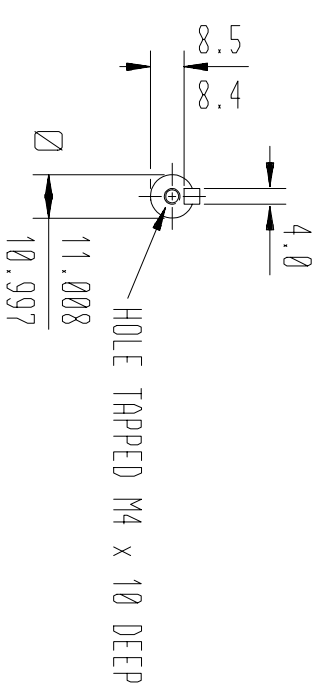


DRIP-PROOF COIL FITTED  
 WHEN REQUIRED



4 HOLES TAPPED M5 THROUGH  
 EQUI-SPACED ON 75 PCD

1 x M20  
 CONDUIT ENTRY



HOLE TAPPED M4 x 10 DEEP

TERMINAL BOX CAN BE ARRANGED IN 9 OR 3 O'CLOCK POSITIONS BY MOVING FEET.  
 CONDUIT ENTRY CAN BE ARRANGED IN 4 ALTERNATIVE POSITIONS.  
 ALL DIMENSIONS IN MILLIMETRES.

CARE SHOULD BE TAKEN TO ENSURE THAT SCREWS OR FIXING STUDS DO NOT  
 EXTEND INSIDE THE MOTOR BEYOND THE DEPTH OF THE THREAD FIXING HOLE.

OUTLINE DIMENSION DRAWING ALUMINIUM TOTALLY ENCLOSED FAN COOLED  
 635 FRAME FOOT & FACE MOUNTED MOTOR.

CUSTOMER	
ORDER No.	
SERIAL No.	
FRAME SIZE	
KW.	RPM.
HZ	PHASE
VOLTS	POLES
BRGS.	DE.
MOTOR NETT WT.	Kg.
SPECIAL REMARKS	

ALL DIMENSIONS IN MILLIMETRES

FIRST ANGLE  
 PROJECTION

**BROOK**  
**PROMPTON**

Small Industrial Motors  
 Huddersfield, W. Yorkshire, HD1 3LJ

SHEET SIZE <b>A3</b>	TITLE	DRG. No. D64G007/1
		DRG. REF.
		REVISION: DH DATE 28-08-01
		SCALE 1:2
		CHECKED RR 22-02-00
		DRAWN VLS 22-02-00
		NAME DATE