



**BS British Standard 1 | General Purpose | High Efficiency | Aluminium**  
**4 pole 50Hz | 0.25(kW) | W-DA71SJ**

Performance Data	
Performance Data	Value
Output (kW)	0.25
Pole	4
Full load speed (RPM)	1400
Full Load Torque (Nm)	1.71
Full load current @ 380V (A)	0.84
Full load current @ 400V (A)	0.8
Full load current @ 415V (A)	0.8
Efficiency Full load (%)	69
Efficiency 3/4 load (%)	68
Efficiency 1/2 load (%)	62
Power Factor Full load	0.65
Power factor 3/4 load	0.55
Power Factor 1/2 load	0.44
Direct on line starting torque ratio	1.8
Direct on line starting current ratio	4
Direct on line Pull out torque ratio	2.2
Direct on line Pull up torque ratio	1.6
Rotor inertia (kgm <sup>2</sup> )	0.00084
Mean sound pressure @1m on no load (dB(A))	38

Standard Features	
Feature	Standard Product
Frequency (Hz)	50Hz / 60Hz
Enclosure	IP55 protection
Cooling Method	IC411 TEFV (Totally Enclosed Fan Ventilated)
T-box position	Top
Lubrication	Regreasing facilities available on request
Balance	Grade N
Bearings	Ball/ball C3 clearance
Drain Holes	160 & 180 frame only
Temperature Rise	Class B (80°C)
Insulation Class	Class F (155°C)
Duty Cycle	S1 continuous rated
Earth Facility	Internal and external
Thermal Protection	Available on request

Shaft Loads	
Mounting	Shaft Load (Nm)
Horizontal shaft load towards motor	207
Horizontal shaft load away motor	363
Vertical shaft up, load towards motor	196
Vertical shaft up, load away motor	380
Vertical shaft down, load towards motor	224
Vertical shaft down, load away motor	352
Maximum radial load at end of shaft	314
Bearing life (hours)	20000

Bearings and Oil Seals	
Feature	Standard Product
Drive end bearing	60032Z
Non-drive end bearing	60032Z
Drive end oil seal	17 x 28 x 6
Non drive end oil seal	17 x 28 x 6
Grease life (horizontal mounting)	30,000
Grease life (vertical mounting)	30,000

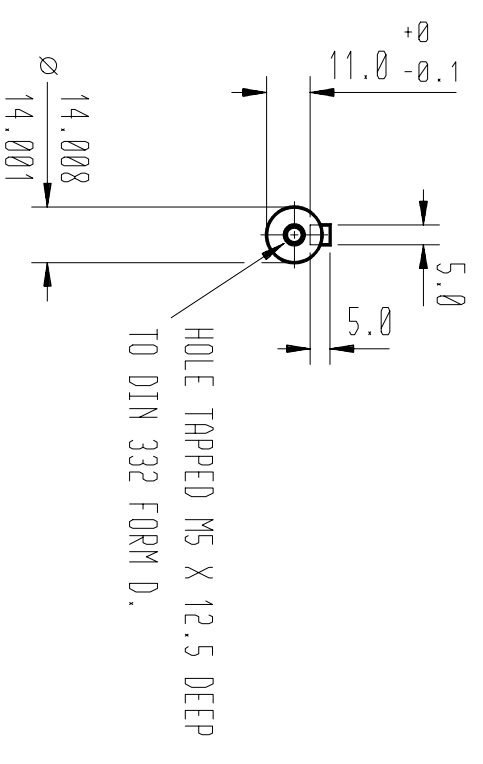
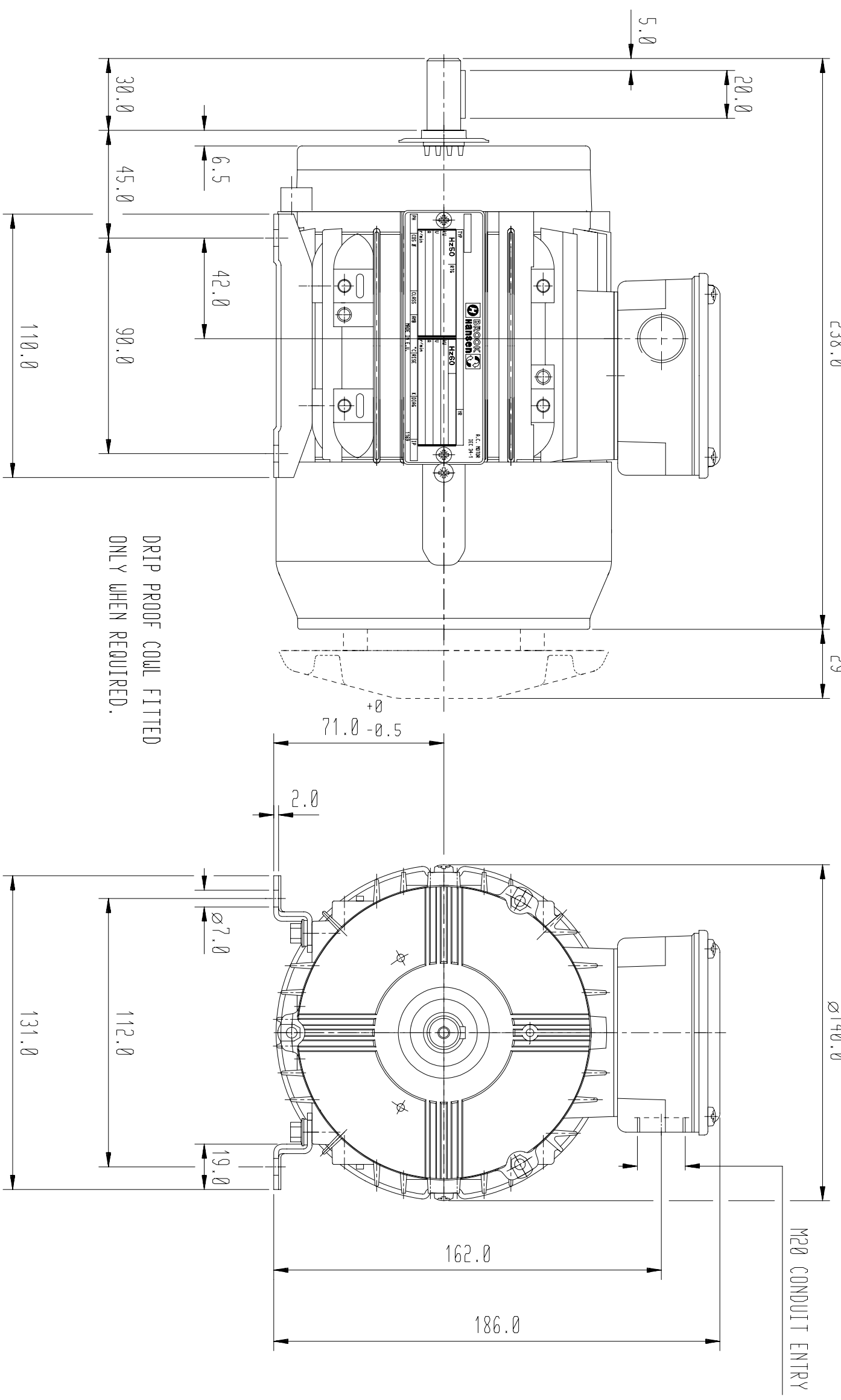
Variations to the standard specification can be supplied on request

238.0

29

∅140.0

M20 CONDUIT ENTRY



DRIP PROOF COUL FITTED  
 ONLY WHEN REQUIRED.

TERMINAL BOX CAN BE ARRANGED IN 9 OR 6 O-CLOCK POSITIONS.  
 CONDUIT ENTRY CAN BE ARRANGED IN 4 ALTERNATIVE POSITIONS.

OUTLINE DIMENSION DRAWING 'W' ALUMINIUM TOTALLY ENCLOSED FAN COOLED  
 71S FRAME FOOT MOUNTED MOTOR.

A3

SHEET SIZE	TITLE
A3	OUTLINE DIMENSION DRAWING 'W' ALUMINIUM TOTALLY ENCLOSED FAN COOLED 71S FRAME FOOT MOUNTED MOTOR.

DRAWN	NAME	DATE
CHECKED	RS	4-9-95
SCALE		1:2

CUSTOMER	
ORDER No.	
PART No.	
OUR ORDER No.	
FRAME SIZE	
Kw.	RPM.
HZ	PHASE
VOLTS	POLES
BRGS.	DE.
MOTOR NETT WT.	NDE.
SPECIAL REMARKS	Kg.

ALL DIMENSIONS IN MILLIMETRES

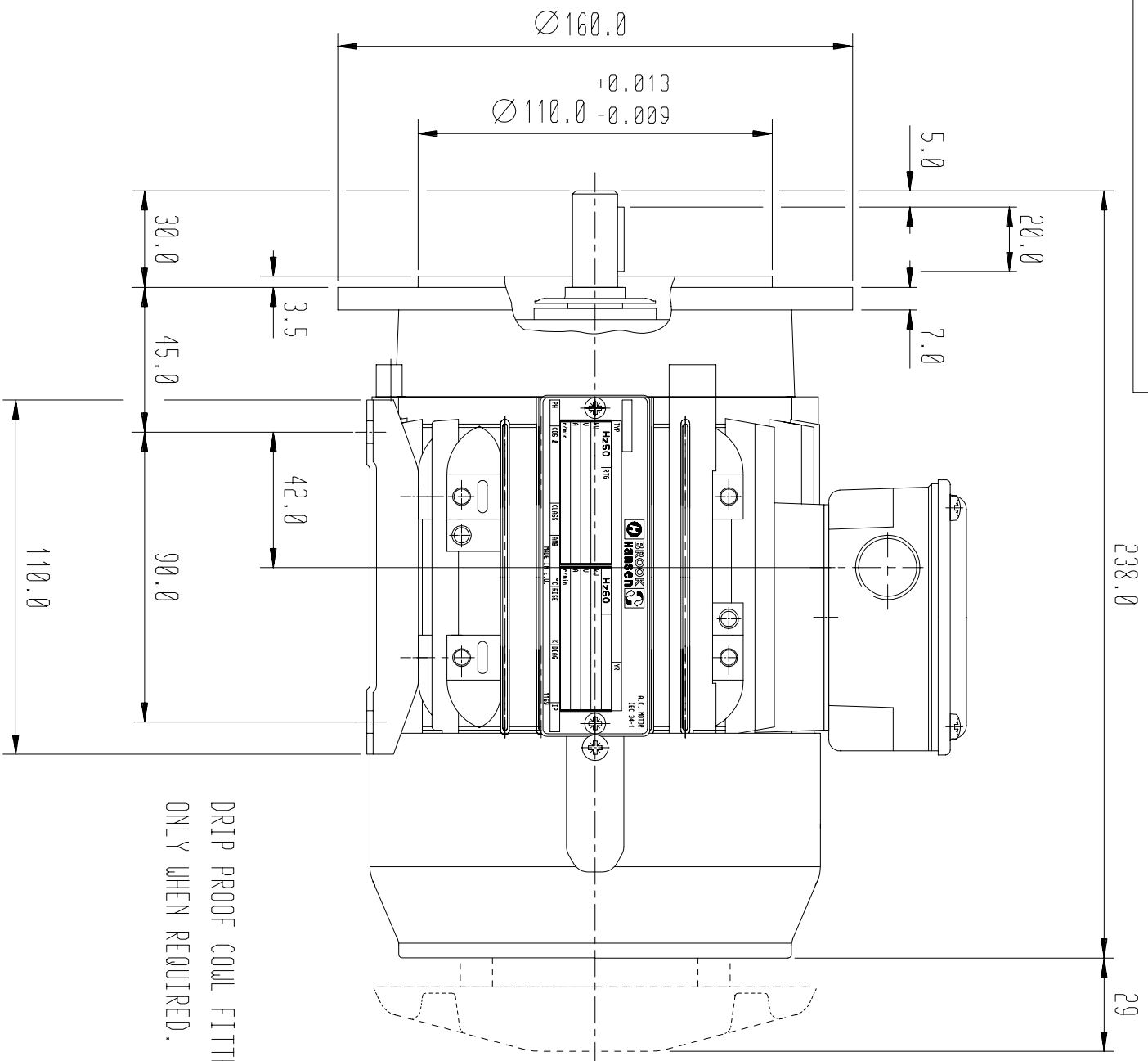
FIRST ANGLE PROJECTION

**BROOK PROMPTON**

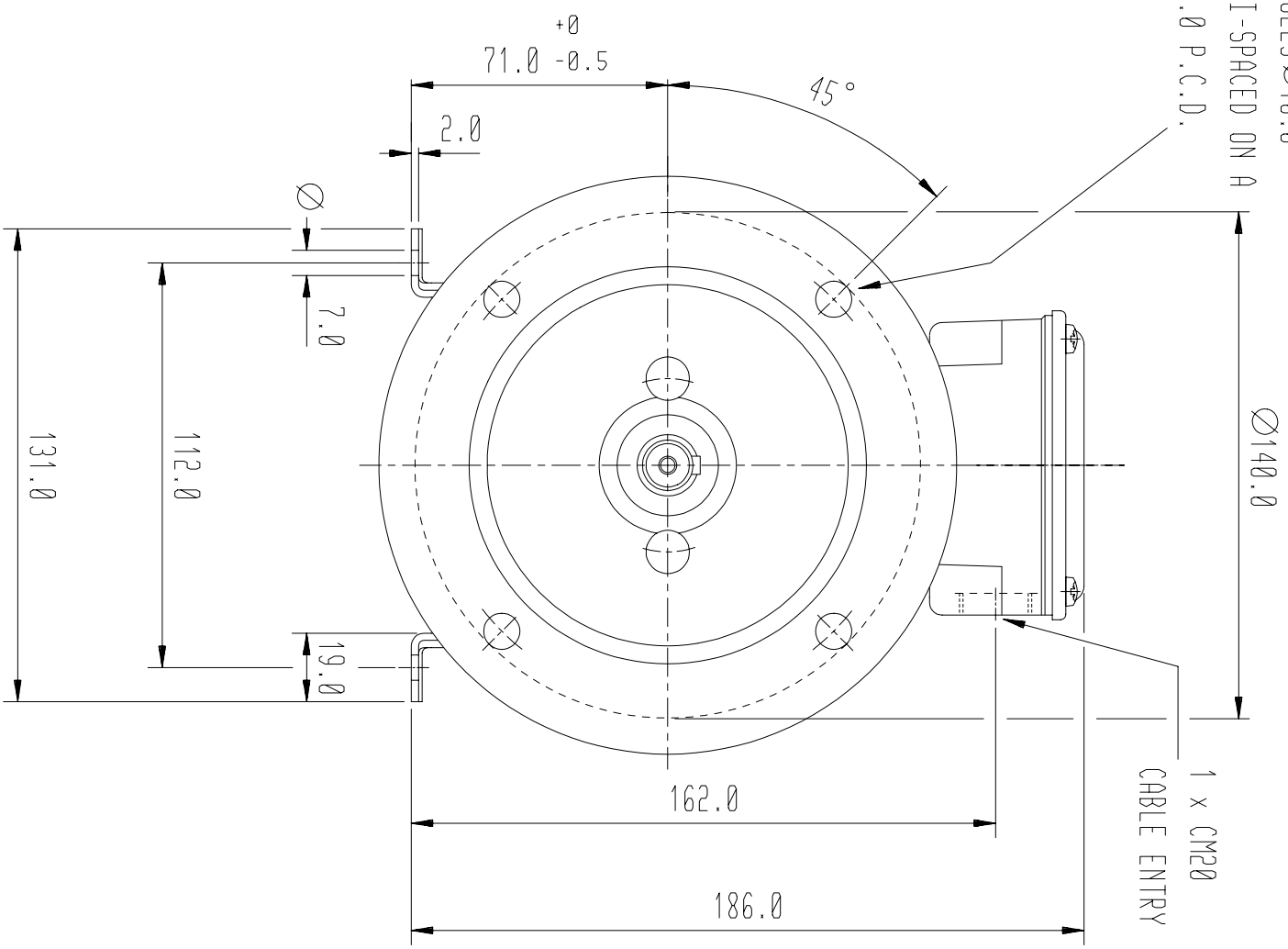
Small Industrial Motors  
 Huddersfield, W. Yorkshire, HD1 3LJ

DRG. No. D71GF000/1  
 DRG. REF.

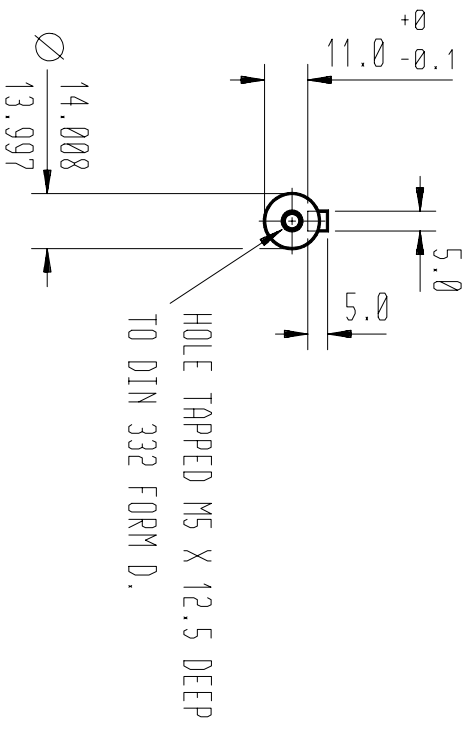
REVISION: VLS DATE 20-08-02



DRIP PROOF COUL FITTED  
 ONLY WHEN REQUIRED.



4 HOLES  $\varnothing 10.0$   
 EQUI-SPACED ON A  
 130.0 P.C.D.  
 1 x CM20  
 CABLE ENTRY

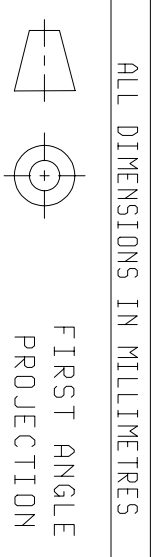


TERMINAL BOX CAN BE ARRANGED IN 9 OR 6 O-CLOCK POSITIONS  
 CONDUIT ENTRY CAN BE ARRANGED IN 4 ALTERNATIVE POSITIONS

SHEET TITLE: OUTLINE DIMENSION DRAWING 'W' ALUMINIUM TOTALLY ENCLOSED FAN COOLED  
 SIZE: A3  
 715 FRAME 'D' FLANGE WITH FEET MOUNTED MOTOR

DRAWN	NAME	DATE
CHECKED	DJR	4-9-95
SCALE	RS	4-9-95
		1:2

CUSTOMER	
ORDER No.	
SERIAL No.	
FRAME SIZE	
KW.	RPM.
Hz	PHASE
VOLTS	POLES
BRGS.	DE.
MOTOR NETT WT.	NDE.
SPECIAL REMARKS	Kg.



**BROOK CROMPTON**

Small Industrial Motors  
 Huddersfield, W. Yorkshire, HD1 3LJ

DRG. No.	D71GD000/2
DRG. REF.	
REVISION:	VLS DATE 14-08-02

DRG. No. D71GCC000/2  
 DRG. REF.

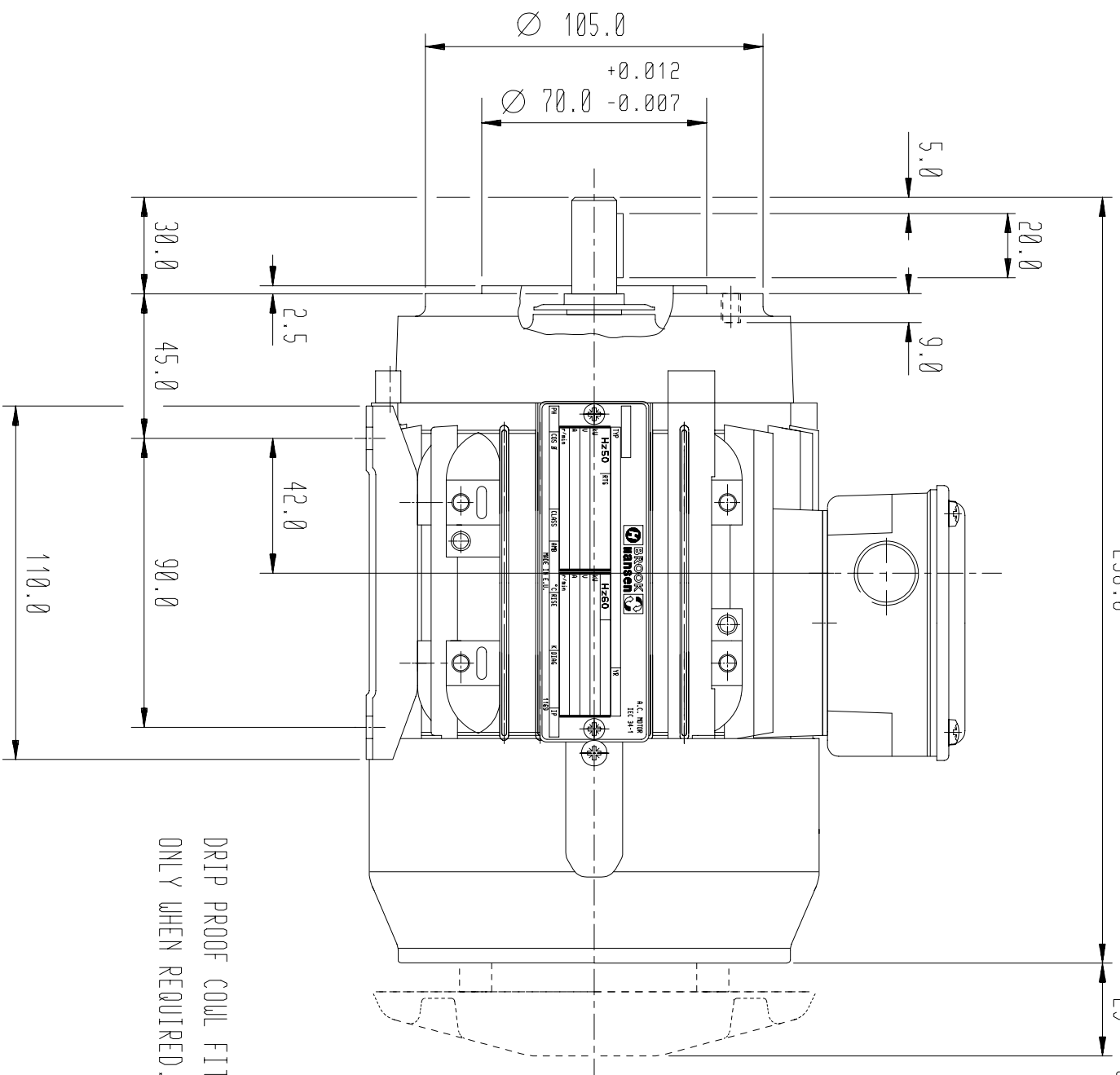
238.0

29

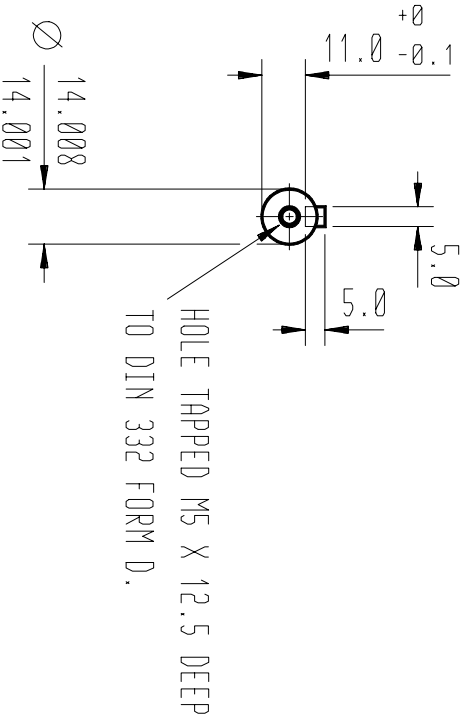
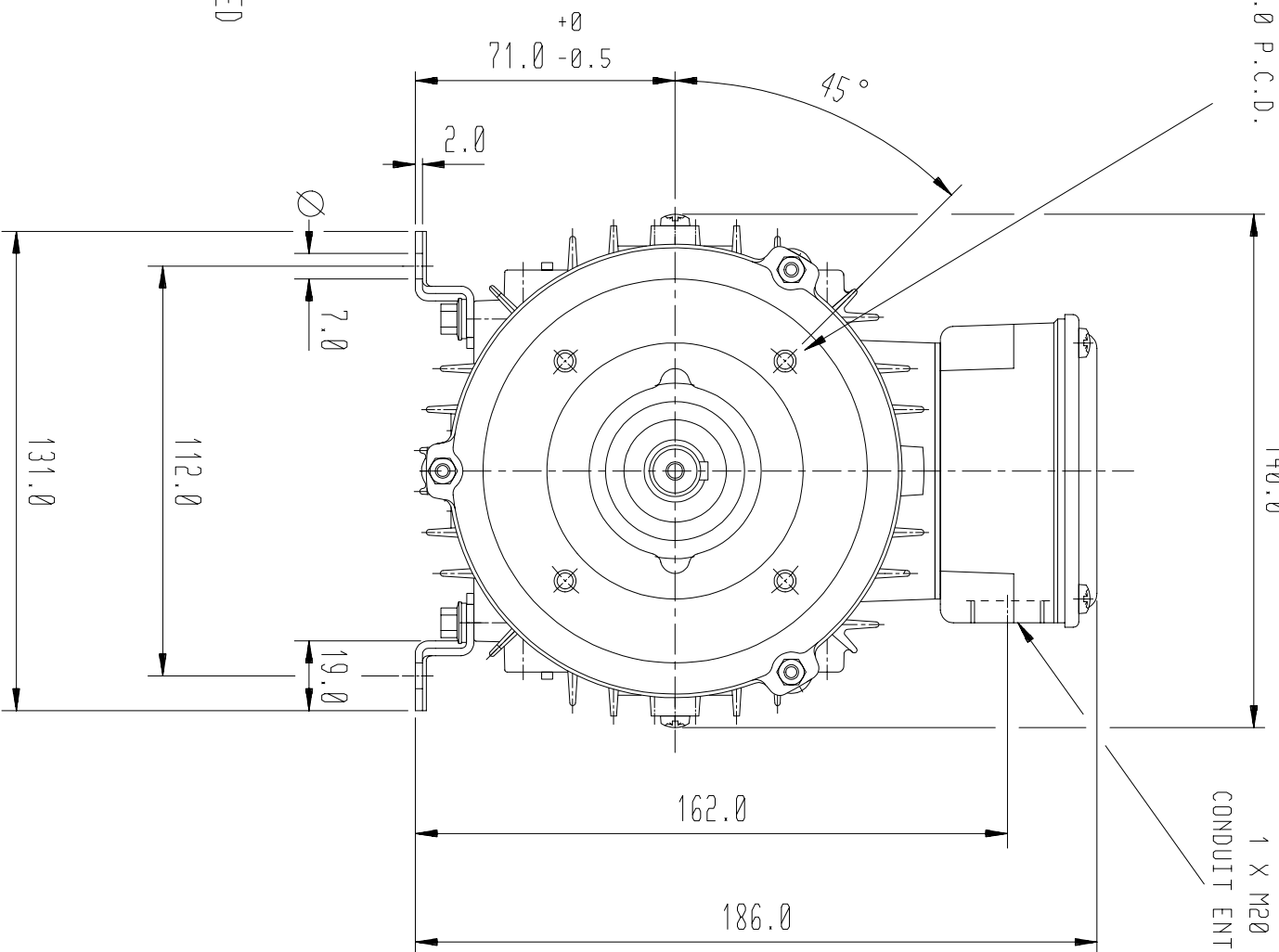
4 HOLES TAPPED M6  
 EQUI-SPACED ON A  
 85.0 P.C.D.

140.0

1 X M20  
 CONDUIT ENTRY



DRIP PROOF COUL FITTED  
 ONLY WHEN REQUIRED.



HOLE TAPPED M5 X 12.5 DEEP  
 TO DIN 332 FORM D.

TERMINAL BOX CAN BE ARRANGED IN 9 OR 6 O-CLOCK POSITIONS  
 CONDUIT ENTRY CAN BE ARRANGED IN 4 ALTERNATIVE POSITIONS

OUTLINE DIMENSION DRAWING W ALUMINIUM TOTALLY ENCLOSED FAN COOLED

715 FRAME FOOT & 'C' FACE MOUNTED MOTOR.

A3

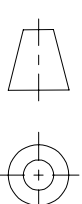
SHEET SIZE

TITLE

DRAWN	NAME	DATE
CHECKED	DJR	4-9-95
SCALE	RS	4-9-95
		1:2

CUSTOMER	
ORDER No.	
SERIAL No.	
FRAME SIZE	
Kw.	RPM.
HZ	PHASE
VOLTS	POLES
BRGS.	DE.
MOTOR NETT WT.	Kg.
SPECIAL REMARKS	

ALL DIMENSIONS IN MILLIMETRES



FIRST ANGLE  
 PROJECTION

**BROOK**  
**CROMPTON**

Small Industrial Motors

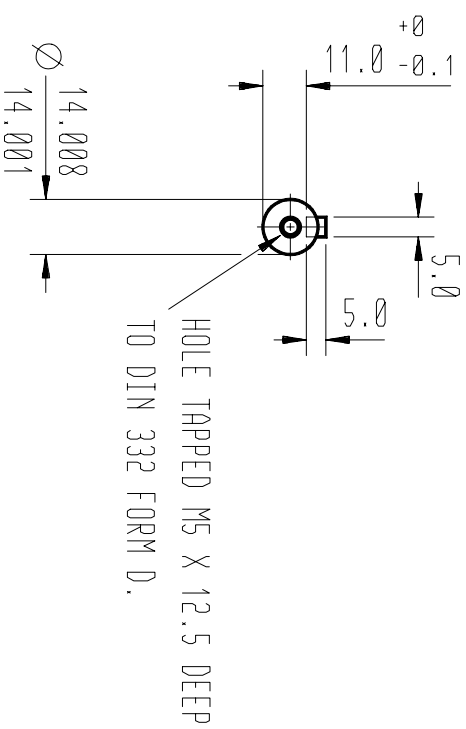
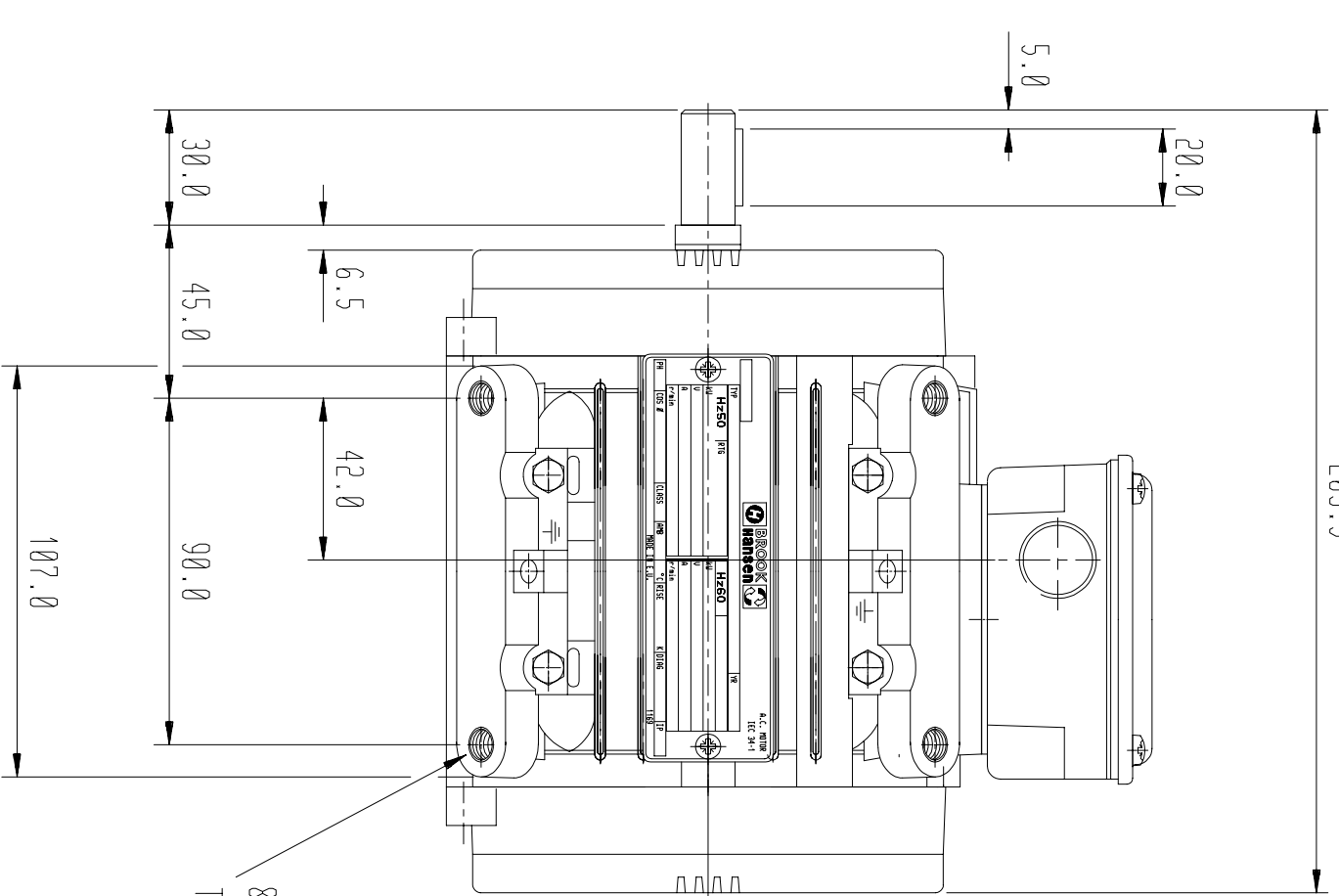
Huddersfield, W. Yorkshire, HD1 3LJ

DRG. No. D71GCC000/2

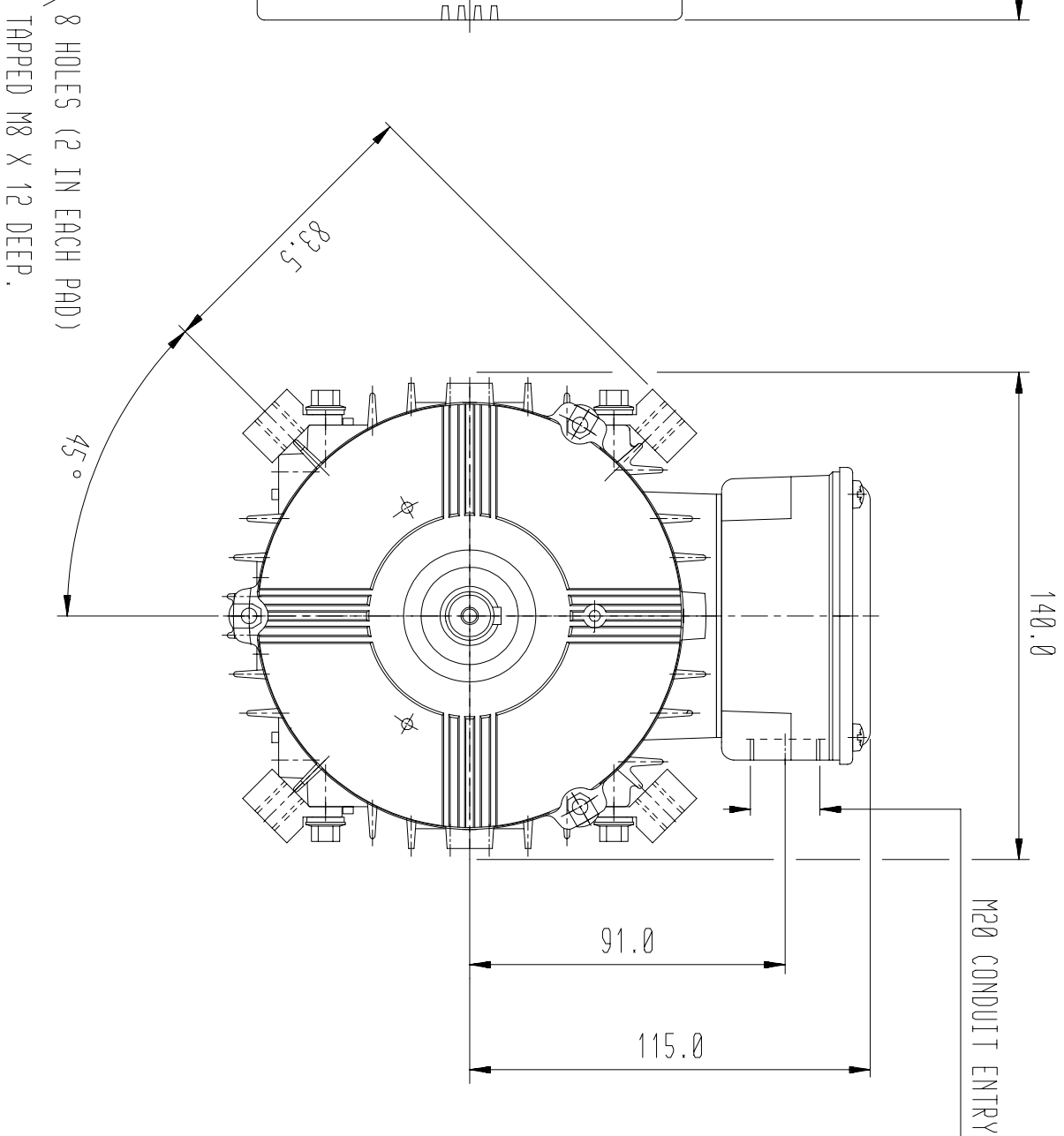
DRG. REF.

REVISION: RR DATE 19/08/02

203.5



140.0



8 HOLES (2 IN EACH PAD)  
 TAPPED M8 X 12 DEEP.

TERMINAL BOX CAN BE ARRANGED IN 9 OR 6 O-CLOCK POSITIONS.  
 CONDUIT ENTRY CAN BE ARRANGED IN 4 ALTERNATIVE POSITIONS.

OUTLINE DIMENSIONS OF T.E.N.V. DNV71S FRAME ALUMINIUM PAD MOUNTED 3 PHASE MOTOR WITH TERMINAL BOX.

CUSTOMER	
ORDER No.	
SERIAL No.	
FRAME SIZE	
KW.	RPM.
Hz	PHASE
VOLTS	POLES
BRGS.	DE.
MOTOR NETT WT.	Kg.
SPECIAL REMARKS	

ALL DIMENSIONS IN MILLIMETRES



**BROOK CROMPTON**

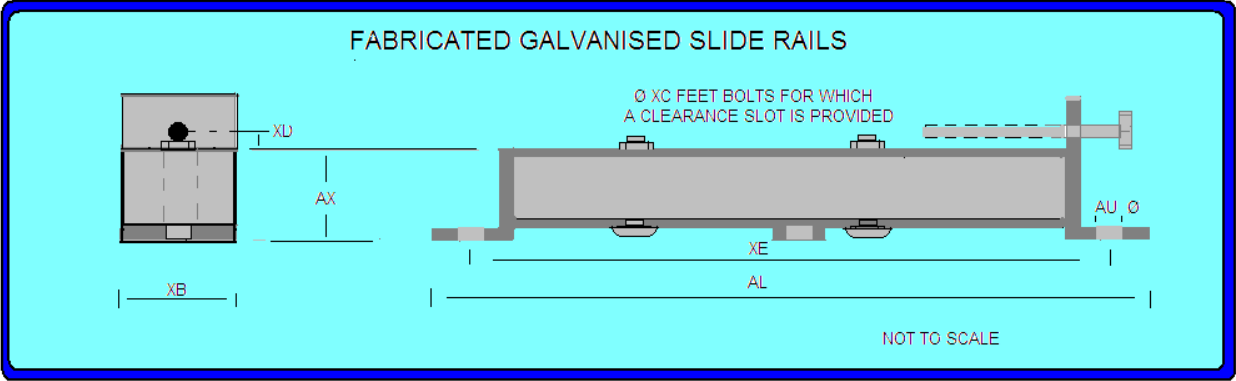
Small Industrial Motors  
 Huddersfield, W. Yorkshire, HD1 3LJ

NAME	DATE
DJR	4-9-95
CHECKED	RS
SCALE	1:2

DRG. No.	D71GP000/1
DRG. REF.	
REVISION:	RR
DATE	12/07/04

SHEET  
 SIZE  
**A3**

## Slide Rails



Code	AL	AU	AX	XB	XD	XE	Bolt Size	Frame Size	BT	XC Motor Foot Bolts
<b>M0809</b>	355	10	30	30	6	325	M10 X 150	71 80 90	90 83 67	M8 X 40

All data is subject to confirmation by BROOK-MTL

E&OE

BROOK MTL, 63 Allens Road, East Tamaki, Auckland, New Zealand

Associate companies: [Rotating Machinery Supplies](mailto:rotatingmachinery@clear.net.nz), 6 Devon Road, Hamilton. [rotatingmachinery@clear.net.nz](mailto:rotatingmachinery@clear.net.nz)  
[Soco Electric Motors](mailto:sales@soco.co.nz), 473 Tremaine Ave, Palmerston North. [sales@soco.co.nz](mailto:sales@soco.co.nz)

