



**BS British Standard 1 | General Purpose | High Efficiency | Aluminium
6 pole 50Hz | 0.37(kW) | W-DA80MG**

Performance Data	
Performance Data	Value
Output (kW)	0.37
Pole	6
Full load speed (RPM)	920
Full Load Torque (Nm)	3.84
Full load current @ 380V (A)	1.33
Full load current @ 400V (A)	1.27
Full load current @ 415V (A)	1.27
Efficiency Full load (%)	69
Efficiency 3/4 load (%)	68
Efficiency 1/2 load (%)	64
Power Factor Full load	0.61
Power factor 3/4 load	0.51
Power Factor 1/2 load	0.4
Direct on line starting torque ratio	2
Direct on line starting current ratio	3.7
Direct on line Pull out torque ratio	2.2
Direct on line Pull up torque ratio	1.8
Rotor inertia (kgm ²)	0.0015
Mean sound pressure @1m on no load (dB(A))	49

Shaft Loads

Mounting	Shaft Load (Nm)
Horizontal shaft load towards motor	284
Horizontal shaft load away motor	484
Vertical shaft up, load towards motor	260
Vertical shaft up, load away motor	516
Vertical shaft down, load towards motor	316
Vertical shaft down, load away motor	460
Maximum radial load at end of shaft	646
Bearing life (hours)	20000

Standard Features	
Feature	Standard Product
Frequency (Hz)	50Hz / 60Hz
Enclosure	IP55 protection
Cooling Method	IC411 TEFV (Totally Enclosed Fan Ventilated)
T-box position	Top
Lubrication	Regreasing facilities available on request
Balance	Grade N
Bearings	Ball/ball C3 clearance
Drain Holes	160 & 180 frame only
Temperature Rise	Class B (80°C)
Insulation Class	Class F (155°C)
Duty Cycle	S1 continuous rated
Earth Facility	Internal and external
Thermal Protection	Available on request

Bearings and Oil Seals

Feature	Standard Product
Drive end bearing	62042Z
Non-drive end bearing	60032Z
Drive end oil seal	20 x 30 x 7
Non drive end oil seal	15 x 24 x 5
Grease life (horizontal mounting)	30,000
Grease life (vertical mounting)	30,000

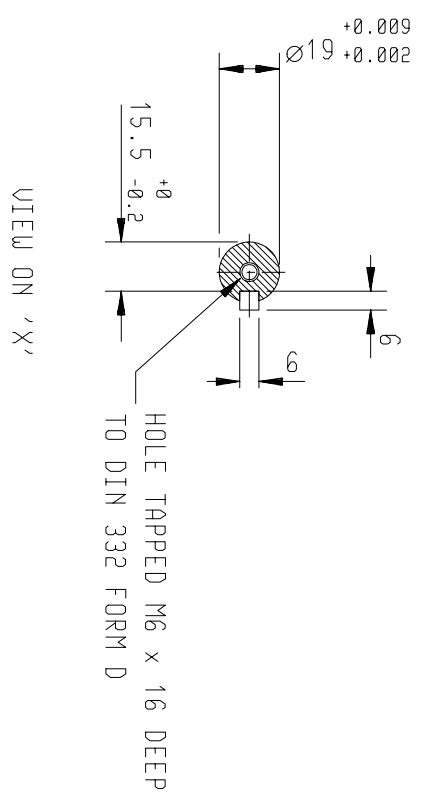
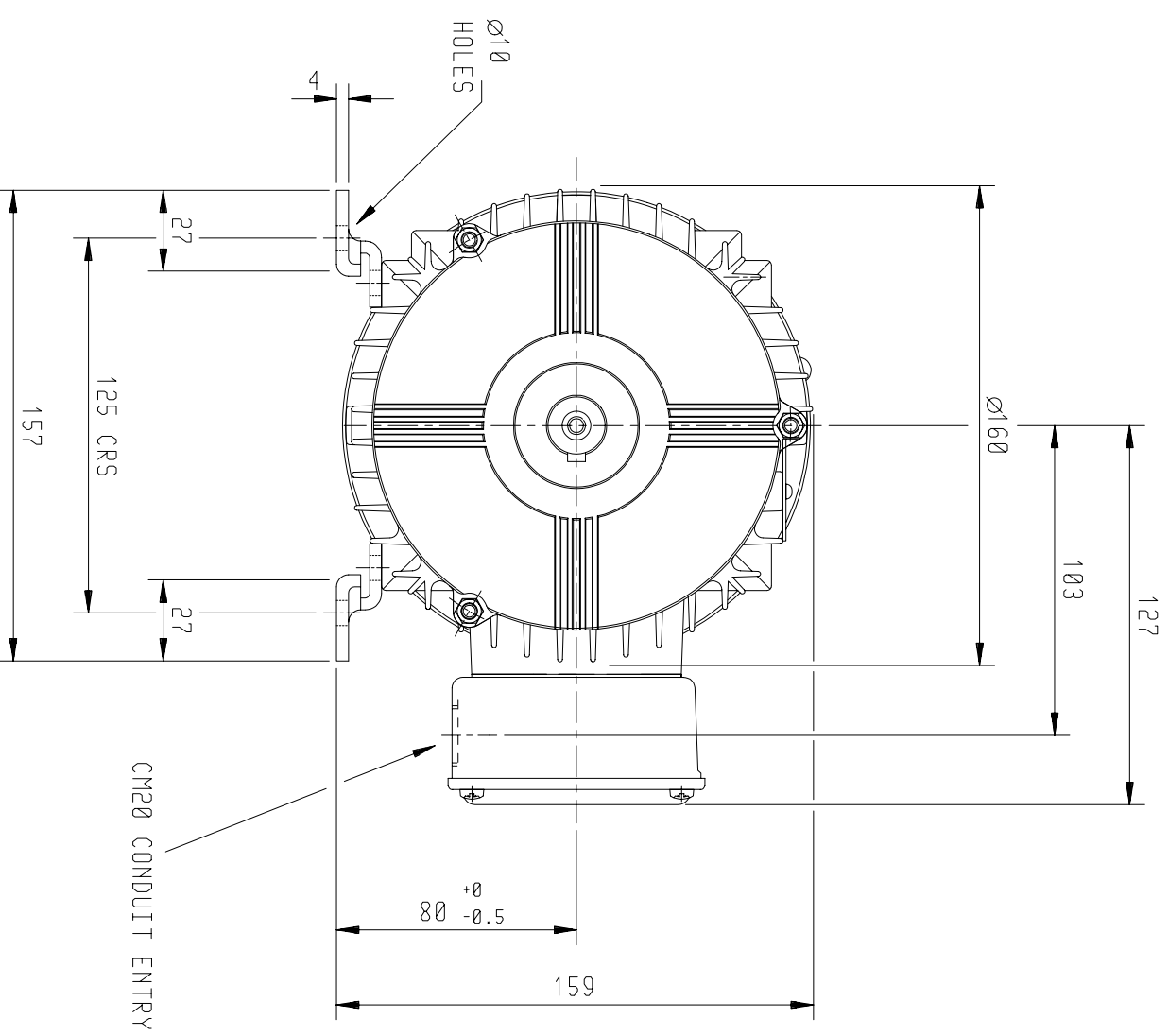
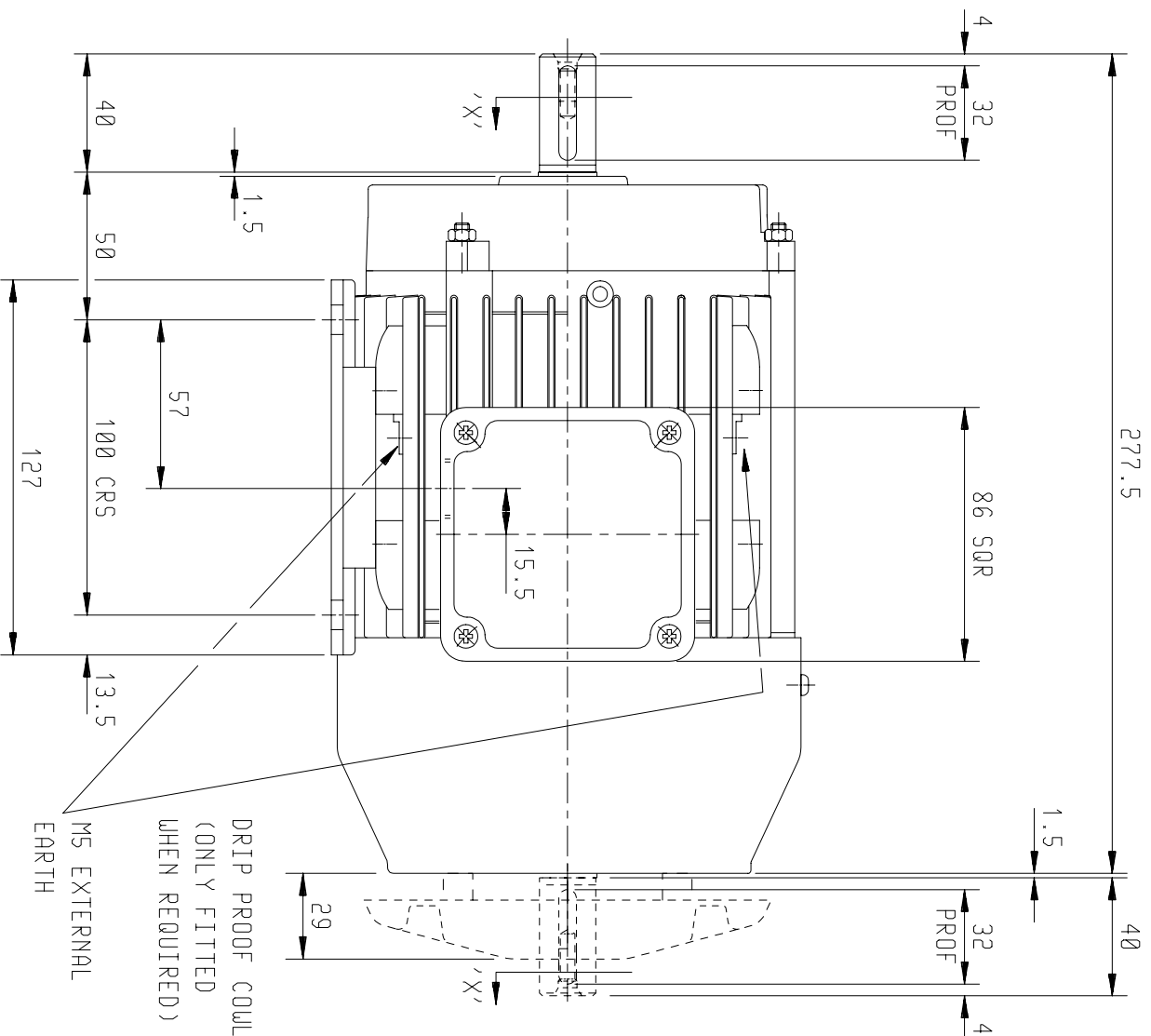
Variations to the standard specification can be supplied on request

All data is subject to confirmation by BROOK MTL

E&OE

BROOK-MTL, 63 Allens Road, East Tamaki, Auckland 2161, New Zealand
Tel +64 9 271 6063 - Fax +64 9 271 6020 www.brookmtl.co.nz - info@brookmtl.co.nz

Associate company: [Rotating Machinery Supplies](http://RotatingMachinerySupplies.com), 6 Devon Road, Hamilton 3242 rotatingmachinery@clear.net.nz
[Soco Electric Motors](http://SocoElectricMotors.com), 473 Tremaine Ave, Palmerston North 4412 sales@soco.co.nz



TERMINAL BOX POSITION:- CAN BE ARRANGED AT EITHER 9,12 OR 3 O'CLOCK BY MOVING FEET.

STANDARD TERMINAL BOX POSITION IS 3 O'CLOCK AS SHOWN.

CONDUIT ENTRIES:- TERMINAL BOX CAN BE ROTATED AT 90° INTERVALS

(CONDUIT ENTRY POSITION SHOWN FOR ILLUSTRATION ONLY).

OUTLINE DIMENSION DRAWING W ALUMINIUM TOTALLY ENCLOSED FAN COOLED

80 FRAME FOOT MOUNTED MOTOR

A3

SHEET SIZE	TITLE
A3	OUTLINE DIMENSION DRAWING W ALUMINIUM TOTALLY ENCLOSED FAN COOLED
80 FRAME FOOT MOUNTED MOTOR	

DRAWN	NAME	DATE
CHECKED	RS.	07/03/97
SCALE	AH.	07/03/97
		1:2.5

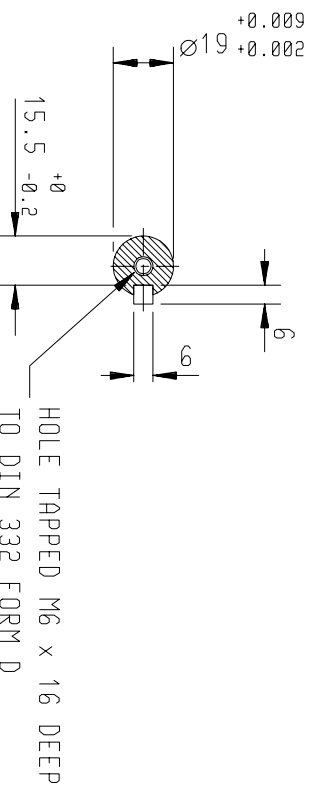
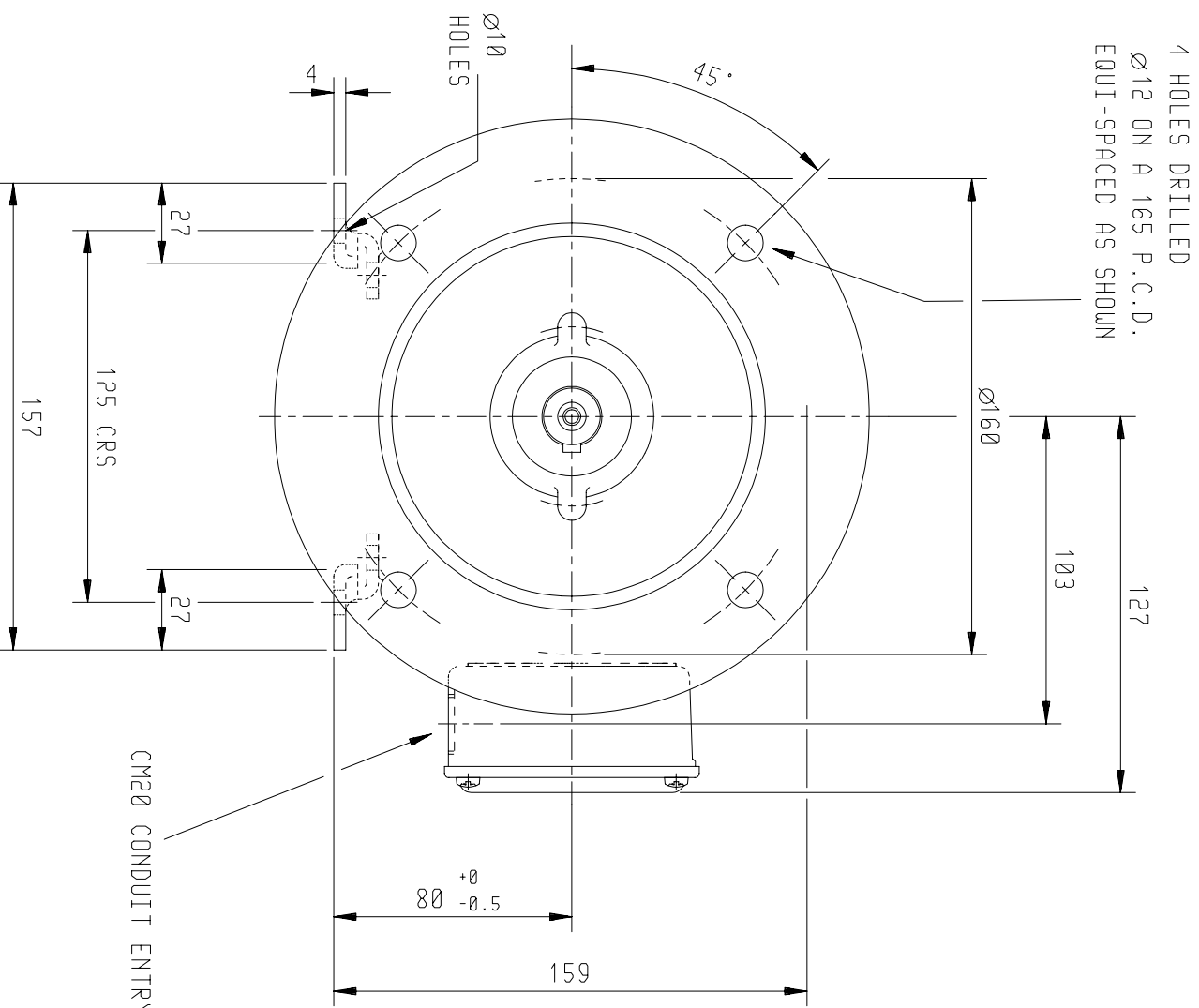
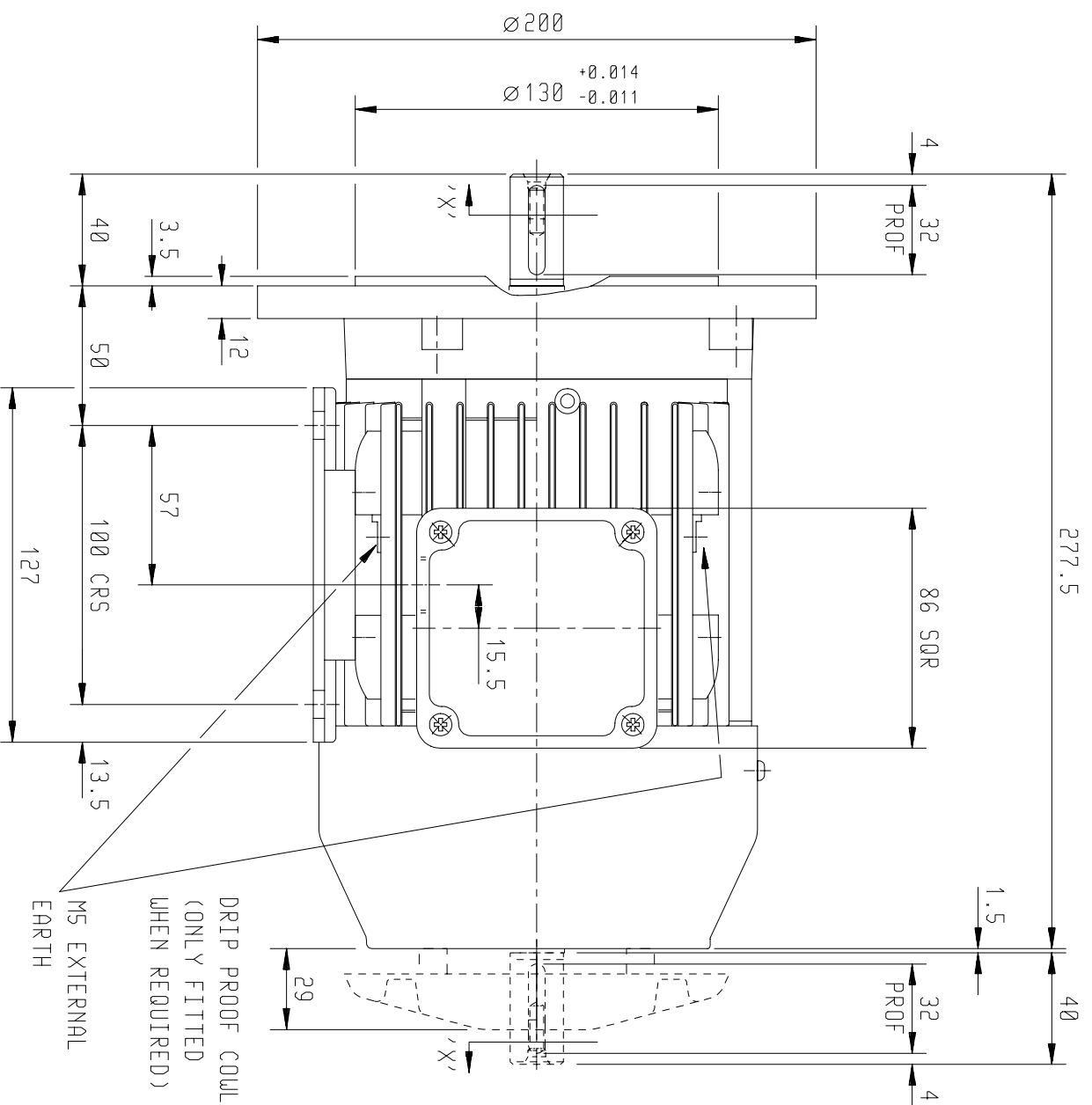
CUSTOMER	ORDER No.	PART No.	OUR ORDER No.	FRAME SIZE	KW.	RPM.	HZ	PHASE	VOLTS	POLES	BRGS.	DE.	NDE.	MOTOR NETT WT.	Kg.	SPECIAL REMARKS

ALL DIMENSIONS IN MILLIMETRES.
 FIRST ANGLE PROJECTION



Small Industrial Motors
 Huddersfield, W. Yorkshire, HD1 3LJ

DRG. No.	W80GF000/1
DRG. REF.	
REVISION:	VLS DATE 31/10/98



VIEW ON 'X'

HOLE TAPPED M6 x 16 DEEP TO DIN 332 FORM D

TERMINAL BOX POSITION:- CAN BE ARRANGED AT EITHER 9,12 OR 3 O'CLOCK BY MOVING FEET.

STANDARD TERMINAL BOX POSITION IS 3 O'CLOCK AS SHOWN.

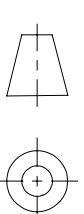
CONDUIT ENTRIES:- TERMINAL BOX CAN BE ROTATED AT 90° INTERVALS

(CONDUIT ENTRY POSITION SHOWN FOR ILLUSTRATION ONLY).

4 HOLES DRILLED
 Ø12 ON A 165 P.C.D.
 EQUI-SPACED AS SHOWN

CM20 CONDUIT ENTRY

ALL DIMENSIONS IN MILLIMETRES.



FIRST ANGLE PROJECTION

BROOK PROMPTON

Small Industrial Motors

Huddersfield, W. Yorkshire, HD1 3LJ

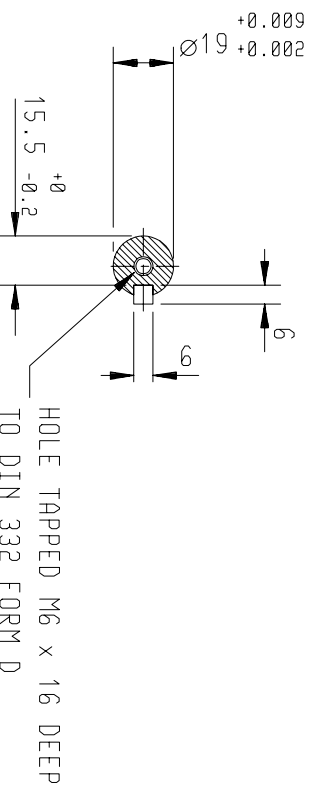
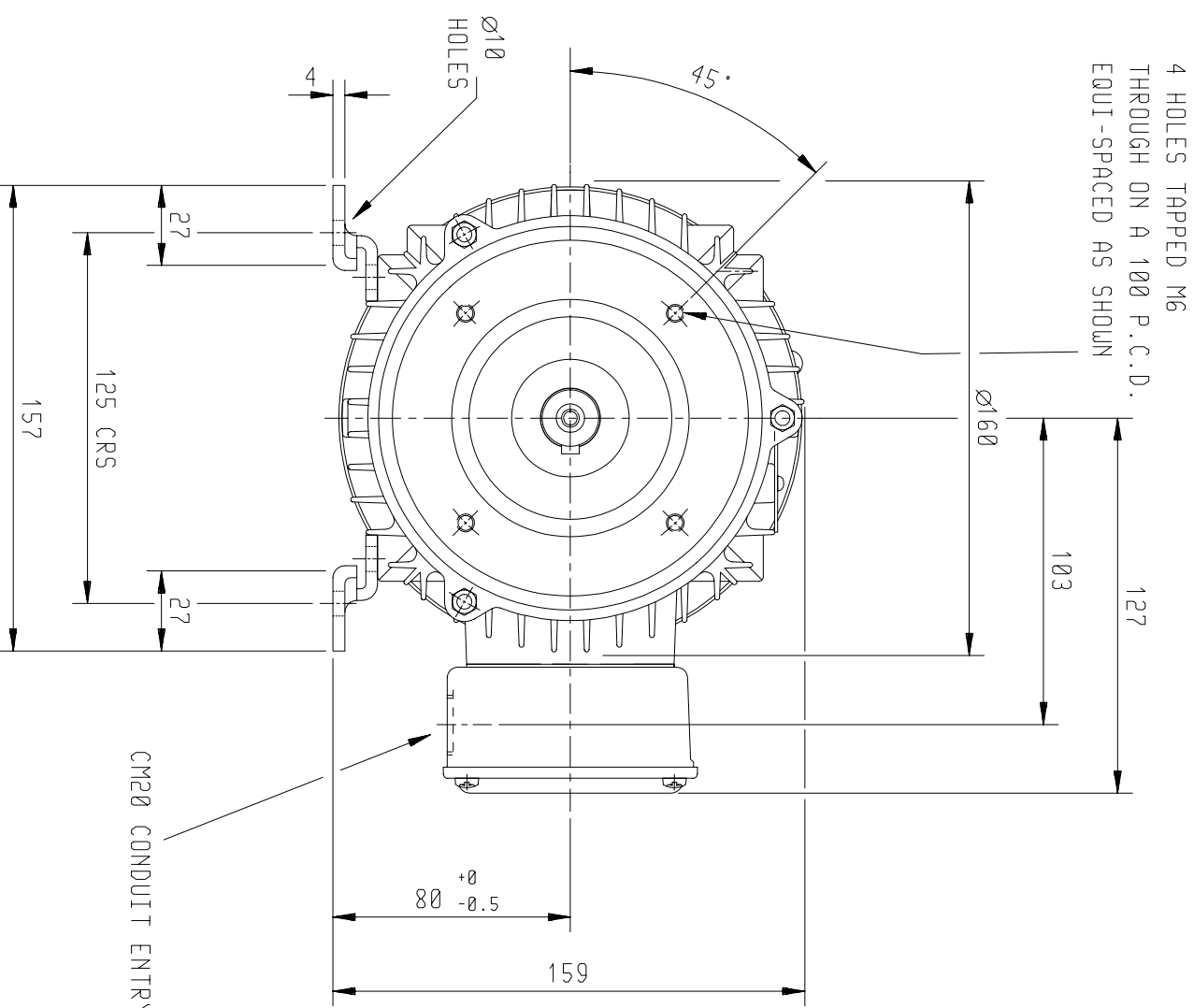
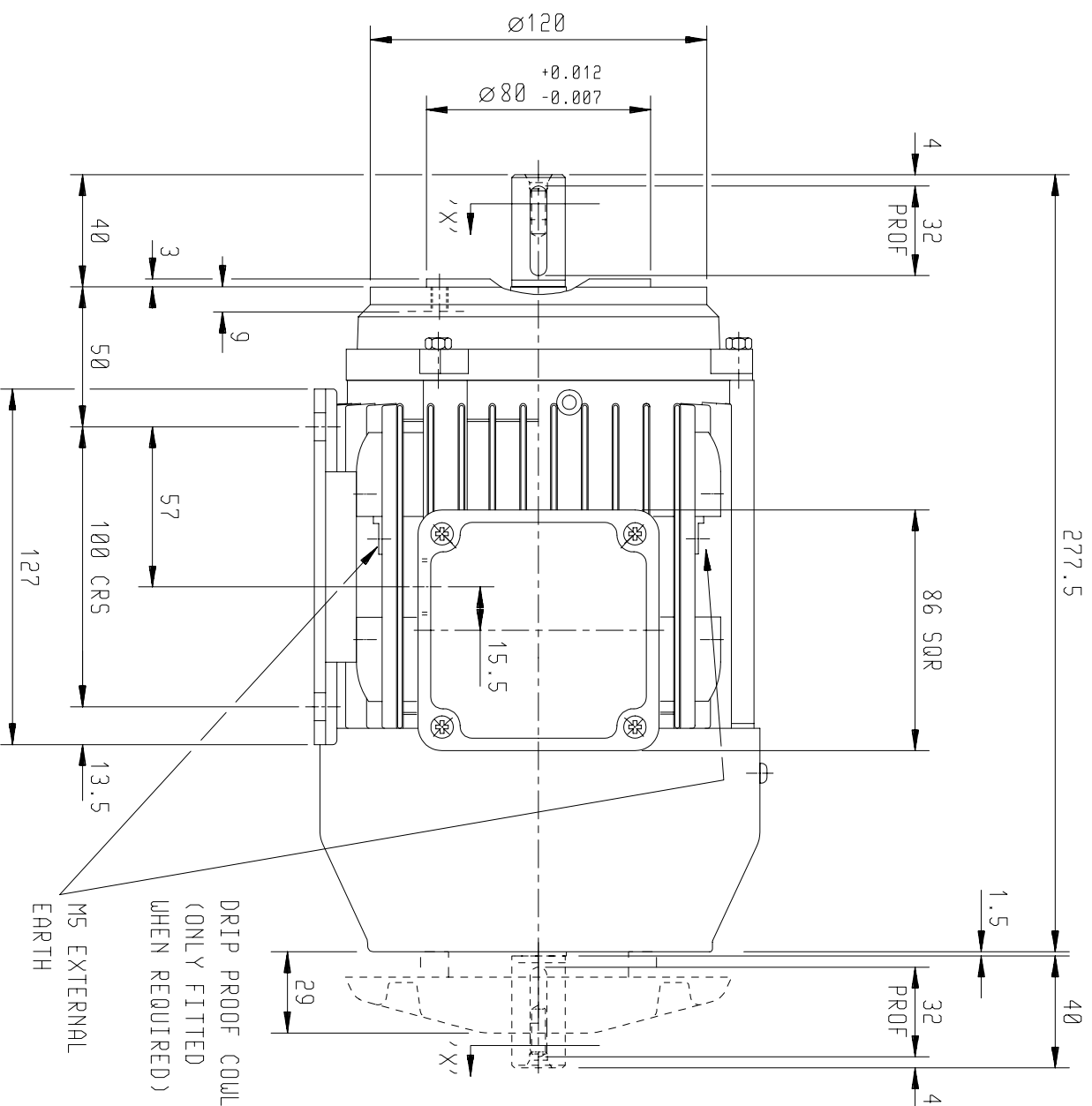
CUSTOMER	
ORDER No.	
PART No.	
OUR ORDER No.	
FRAME SIZE	
KW.	RPM.
HZ	PHASE
VOLTS	POLES
BRGS.	DE.
MOTOR NETT WT.	NDE.
SPECIAL REMARKS	Kg.

TITLE

OUTLINE DIMENSION DRAWING W ALUMINIUM TOTALLY ENCLOSED FAN COOLED
 80 FRAME FOOT AND 'D' FLANGE MOUNTED MOTOR

DRAWN	NAME	DATE
CHECKED	RS.	07/03/97
SCALE	AH.	07/03/97
		1:2.5

DRG. No.	W80GD001/2
DRG. REF.	
REVISION:	VLS DATE 27-04-01



HOLE TAPPED M6 x 16 DEEP TO DIN 332 FORM D

VIEW ON 'X'

4 HOLES TAPPED M6 THROUGH ON A 100 P.C.D. EQUI-SPACED AS SHOWN

CM20 CONDUIT ENTRY

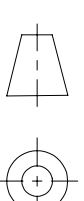
TERMINAL BOX POSITION:- CAN BE ARRANGED AT EITHER 9,12 OR 3 O'CLOCK BY MOVING FEET.

STANDARD TERMINAL BOX POSITION IS 3 O'CLOCK AS SHOWN.

CONDUIT ENTRIES:- TERMINAL BOX CAN BE ROTATED AT 90° INTERVALS (CONDUIT ENTRY POSITION SHOWN FOR ILLUSTRATION ONLY).

NOTE: CARE SHOULD BE TAKEN TO ENSURE THAT SCREWS OR STUDS DO NOT EXTEND INSIDE THE MOTOR BEYOND THE DEPTH OF THE THREAD FIXING HOLE

ALL DIMENSIONS IN MILLIMETRES.



FIRST ANGLE PROJECTION

BROOK PROMPTON

Small Industrial Motors

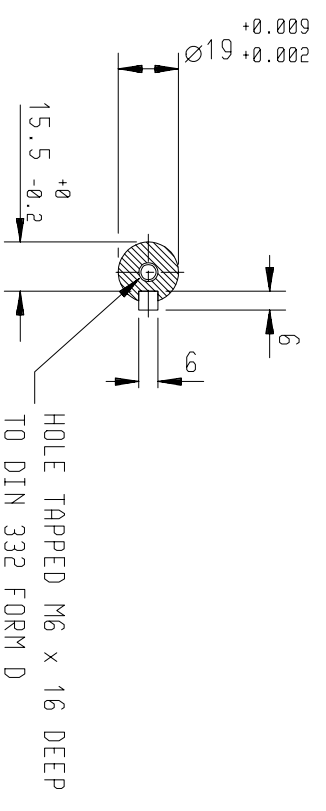
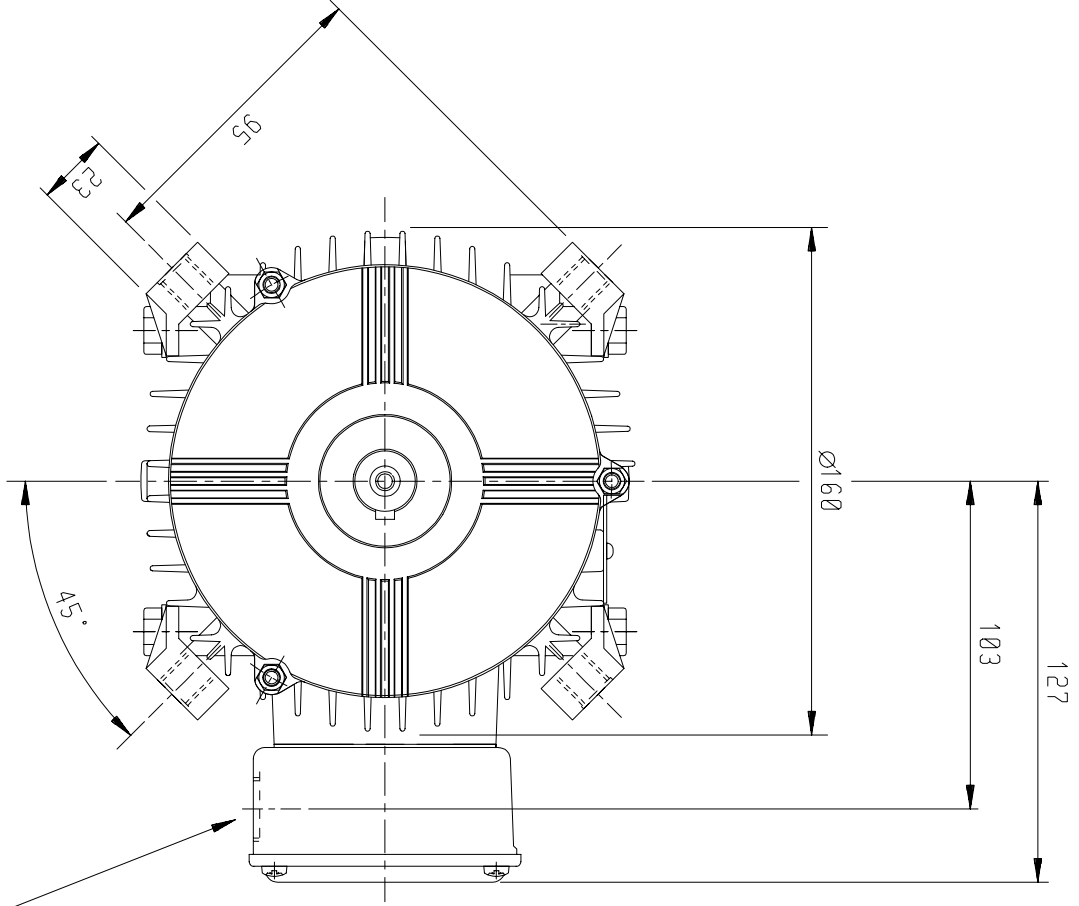
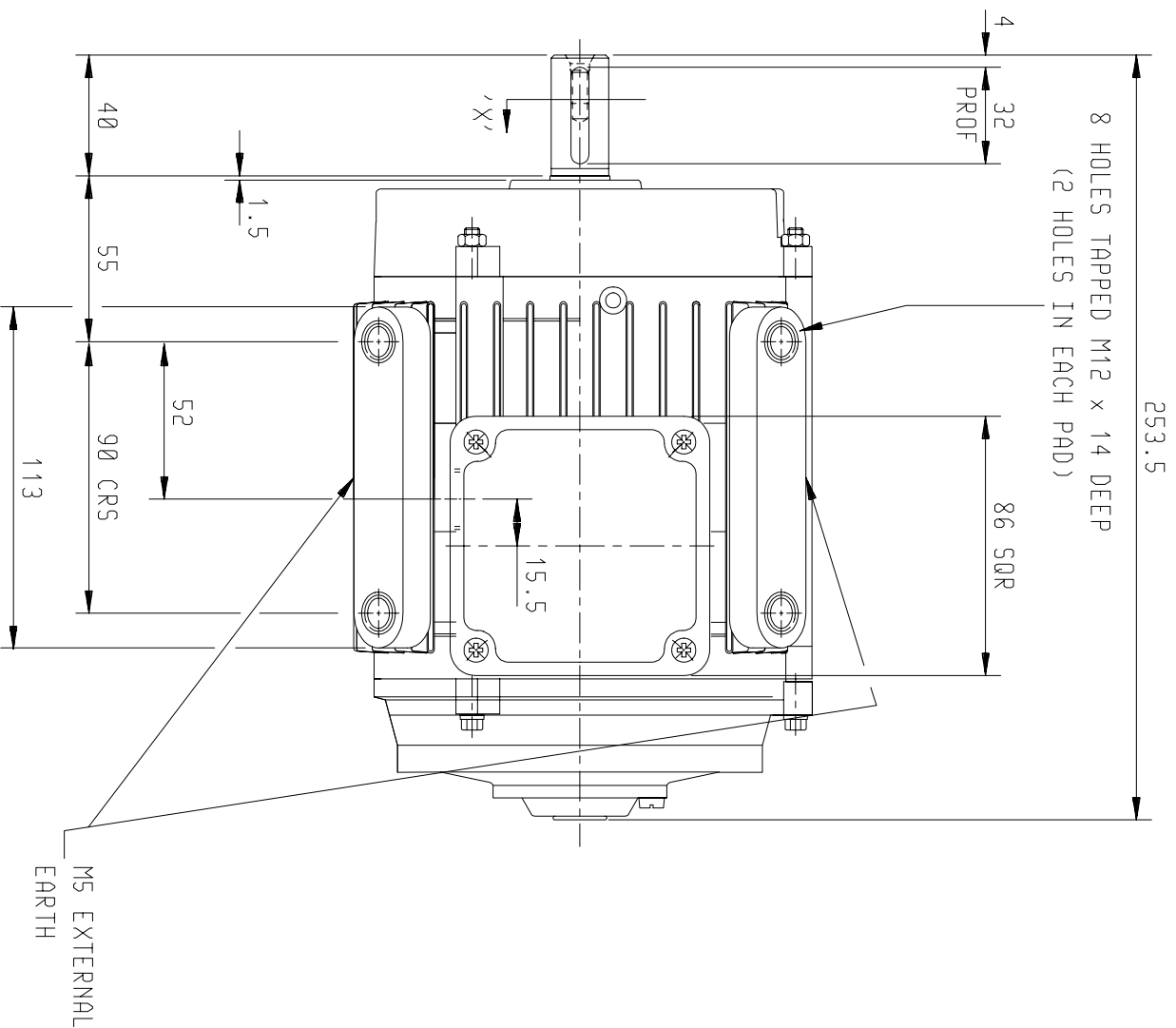
Huddersfield, W. Yorkshire, HD1 3LJ

CUSTOMER	
ORDER No.	
PART No.	
OUR ORDER No.	
FRAME SIZE	
KW.	RPM.
HZ	PHASE
VOLTS	POLES
BRGS.	DE.
MOTOR NETT WT.	Kg.
SPECIAL REMARKS	

OUTLINE DIMENSION DRAWING W ALUMINIUM TOTALLY ENCLOSED FAN COOLED 80 FRAME FOOT AND 'C' FACE MOUNTED MOTOR

DRAWN	NAME	DATE
CHECKED	RS.	07/03/97
SCALE	AH.	07/03/97
		1:2.5

DRG. No.	W80GC001/2
DRG. REF.	
REVISION:	VLS DATE 27-04-01



TERMINAL BOX POSITION:- CAN BE ARRANGED AT EITHER 9, 12 OR 3 O'CLOCK.
 STANDARD TERMINAL BOX POSITION IS 3 O'CLOCK AS SHOWN.
 CONDUIT ENTRIES:- TERMINAL BOX CAN BE ROTATED AT 90° INTERVALS
 (CONDUIT ENTRY POSITION SHOWN FOR ILLUSTRATION ONLY).

OUTLINE DIMENSION DRAWING W ALUMINIUM TOTALLY ENCLOSED NO FAN
 80 FRAME PAD MOUNTED MOTOR

CUSTOMER	
ORDER No.	
PART No.	
OUR ORDER No.	
FRAME SIZE	
KW.	RPM.
HZ	PHASE
VOLTS	POLES
BRGS.	DE.
MOTOR NETT WT.	Kg.
SPECIAL REMARKS	

ALL DIMENSIONS IN MILLIMETRES.
 FIRST ANGLE PROJECTION

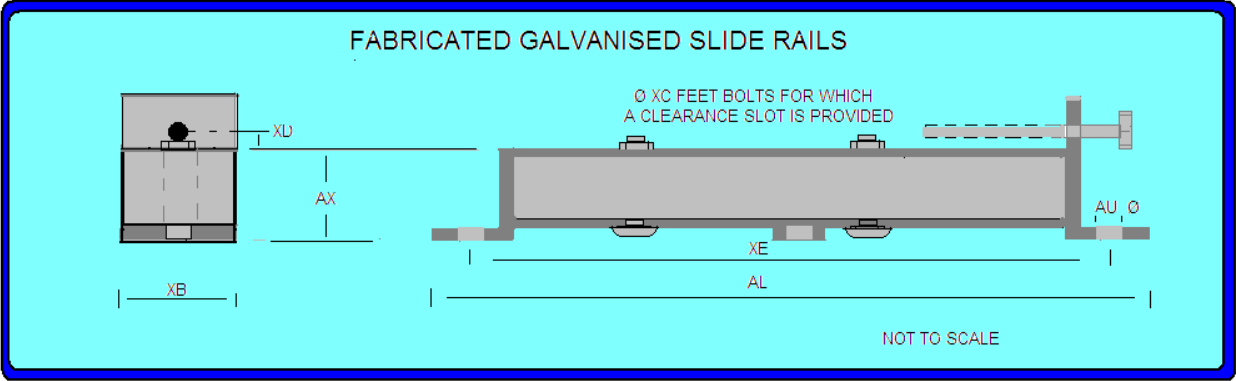
BROOK PROMPTON
 Small Industrial Motors
 Huddersfield, W. Yorkshire, HD1 3LJ

DRG. No.	W80GP002/1
DRG. REF.	
REVISION:	DH. DATE 09-09-02

SHEET TITLE	OUTLINE DIMENSION DRAWING W ALUMINIUM TOTALLY ENCLOSED NO FAN
SIZE	80 FRAME PAD MOUNTED MOTOR
A3	

DRAWN	NAME	DATE
CHECKED	DRM	26-11-98
SCALE	DJR	26-11-98
		1:2.5

Slide Rails



Code	AL	AU	AX	XB	XD	XE	Bolt Size	Frame Size	BT	XC Motor Foot Bolts
M0809	355	10	30	30	6	325	M10 X 150	71 80 90	90 83 67	M8 X 40

All data is subject to confirmation by BROOK-MTL

E&OE

BROOK MTL, 63 Allens Road, East Tamaki, Auckland, New Zealand

Associate companies: [Rotating Machinery Supplies](mailto:rotatingmachinery@clear.net.nz), 6 Devon Road, Hamilton. rotatingmachinery@clear.net.nz
[Soco Electric Motors](mailto:sales@soco.co.nz), 473 Tremaine Ave, Palmerston North. sales@soco.co.nz

