



**BS British Standard 1 | General Purpose | High Efficiency | Aluminium**  
**4 pole 50Hz | 0.55(kW) | W-DA80ME**

Performance Data	
Performance Data	Value
Output (kW)	0.55
Pole	4
Full load speed (RPM)	1410
Full Load Torque (Nm)	3.72
Full load current @ 380V (A)	1.66
Full load current @ 400V (A)	1.58
Full load current @ 415V (A)	1.58
Efficiency Full load (%)	75
Efficiency 3/4 load (%)	75
Efficiency 1/2 load (%)	70
Power Factor Full load	0.67
Power factor 3/4 load	0.57
Power Factor 1/2 load	0.45
Direct on line starting torque ratio	2
Direct on line starting current ratio	4.2
Direct on line Pull out torque ratio	2.2
Direct on line Pull up torque ratio	1.8
Rotor inertia (kgm <sup>2</sup> )	0.0015
Mean sound pressure @1m on no load (dB(A))	47

Shaft Loads	
Mounting	Shaft Load (Nm)
Horizontal shaft load towards motor	303
Horizontal shaft load away motor	503
Vertical shaft up, load towards motor	283
Vertical shaft up, load away motor	530
Vertical shaft down, load towards motor	330
Vertical shaft down, load away motor	583
Maximum radial load at end of shaft	729
Bearing life (hours)	20000

Standard Features	
Feature	Standard Product
Frequency (Hz)	50Hz / 60Hz
Enclosure	IP 55 protection
Cooling Method	IC411 TEFV (Totally Enclosed Fan Ventilated)
T-box position	Top
Lubrication	Regreasing facilities available on request
Balance	Grade N
Bearings	ball/ball C3 clearance
Drain Holes	160 & 180 frame only
Temperature Rise	Class B (80C)
Insulation Class	Class F (155C)
Duty Cycle	S1 continuous rated
Earth Facility	internal and external
Thermal Protection	Available on request

Bearings and Oil Seals	
Feature	Standard Product
Drive end bearing	62042Z
Non-drive end bearing	60032Z
Drive end oil seal	20 x 30 x 7
Non drive end oil seal	15 x 24 x 5
Grease life (horizontal mounting)	30,000
Grease life (vertical mounting)	30,000

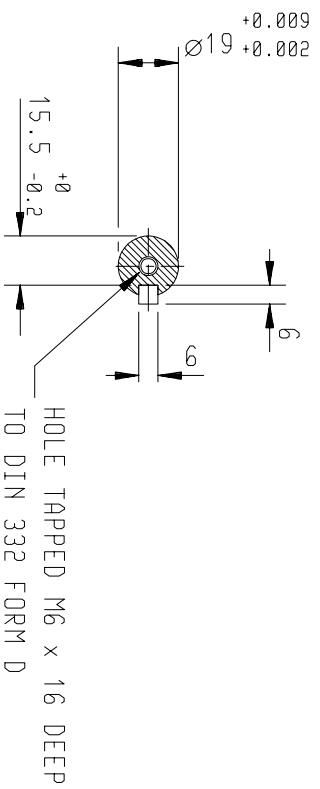
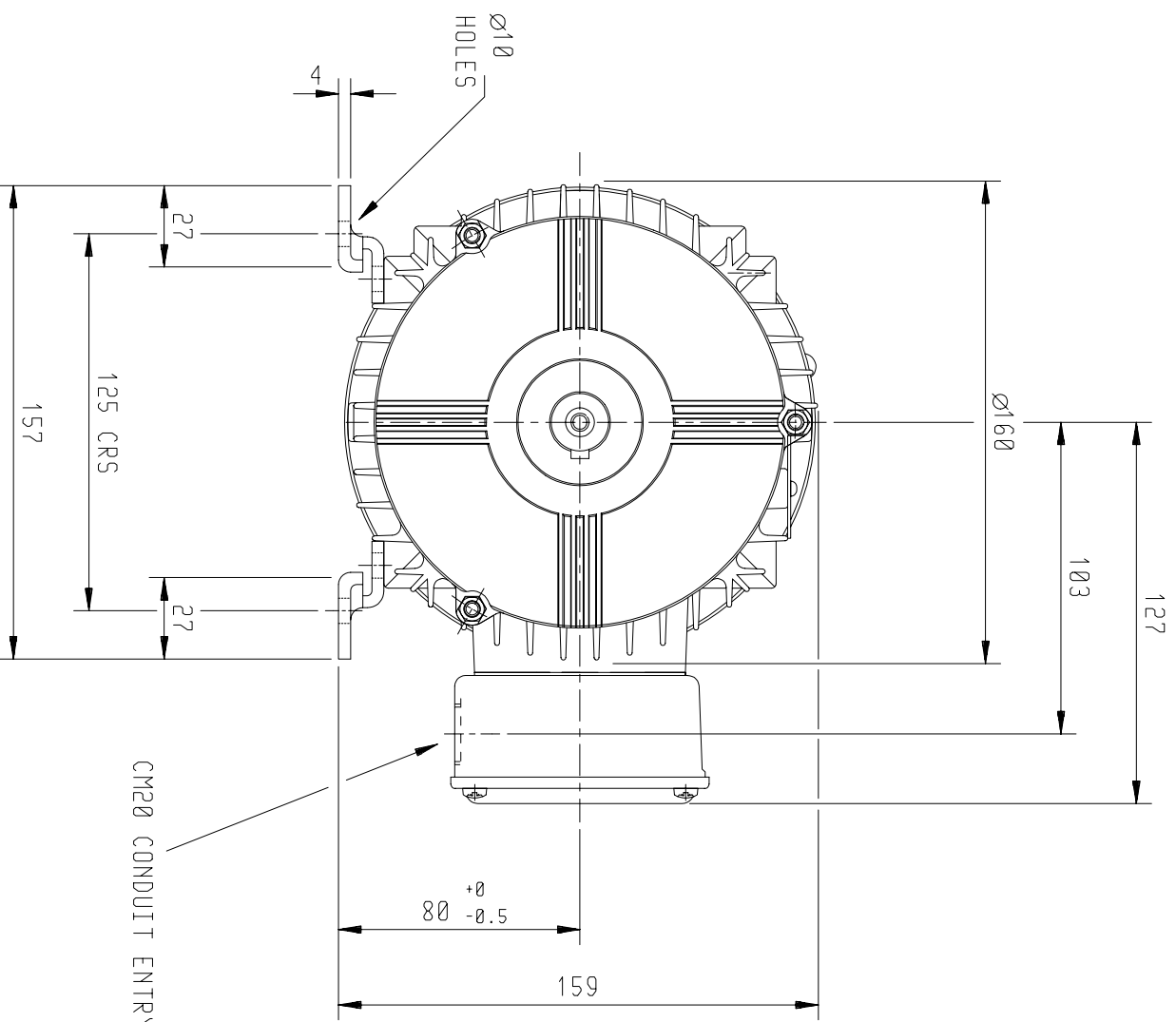
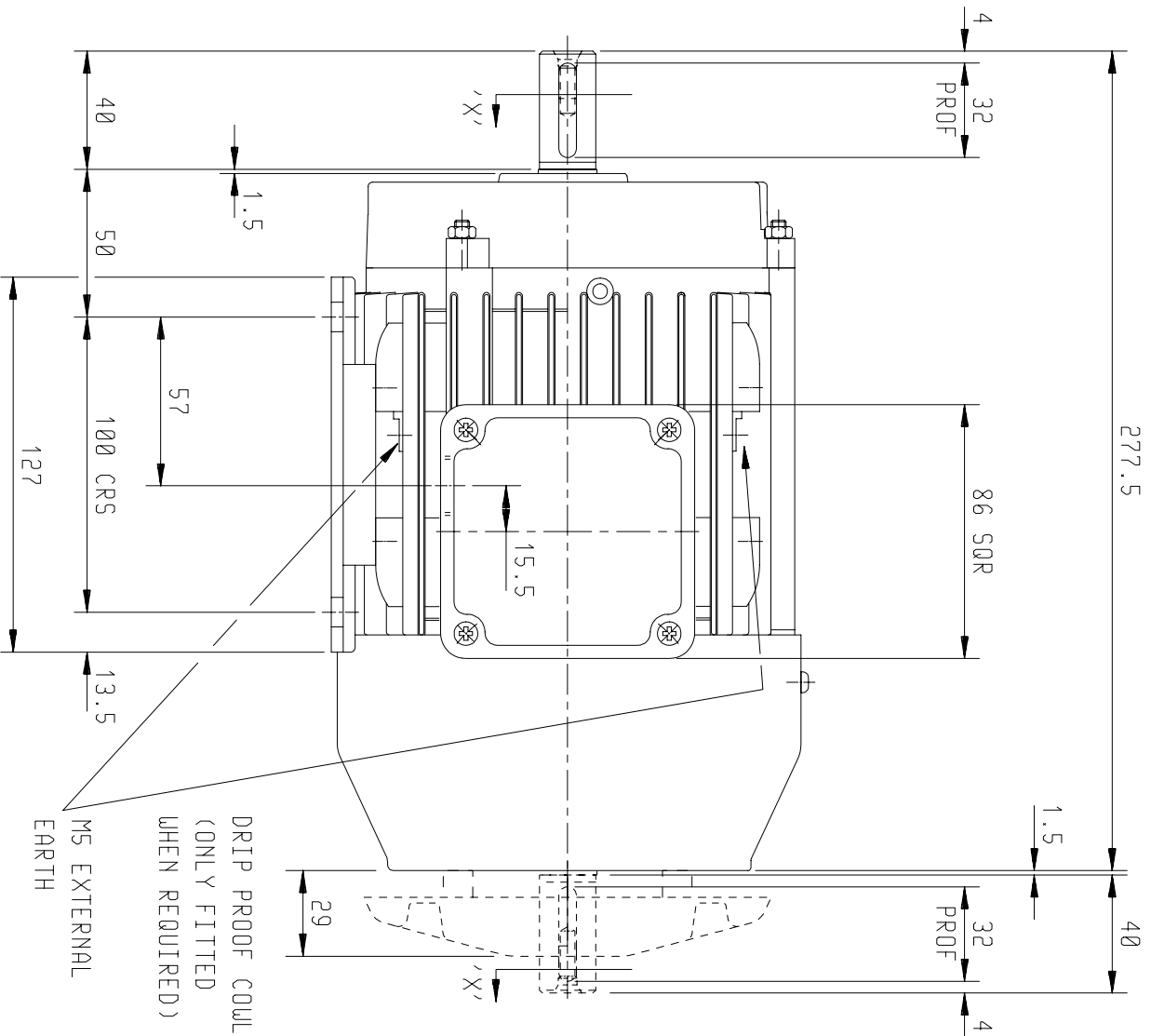
Variations to the standard specification can be supplied on request

All data is subject to confirmation by BROOK MTL

E&OE

**BROOK-MTL**, 63 Allens Road, East Tamaki, Auckland, New Zealand  
 Tel +64 9 271 6063 - Fax +64 9 271 6020 www.brookmtl.co.nz - [info@brookmtl.co.nz](mailto:info@brookmtl.co.nz)

Associate company: **Rotating Machinery Supplies**, 6 Devon Road, Hamilton [rotatingmachinery@clear.net.nz](mailto:rotatingmachinery@clear.net.nz)  
**Soco Electric Motors**, 473 Tremaine Ave, Palmerston North. [sales@soco.co.nz](mailto:sales@soco.co.nz)



VIEW ON 'X'

TERMINAL BOX POSITION:- CAN BE ARRANGED AT EITHER 9,12 OR 3 O'CLOCK BY MOVING FEET.

STANDARD TERMINAL BOX POSITION IS 3 O'CLOCK AS SHOWN.

CONDUIT ENTRIES:- TERMINAL BOX CAN BE ROTATED AT 90° INTERVALS

(CONDUIT ENTRY POSITION SHOWN FOR ILLUSTRATION ONLY).

TITLE  
 OUTLINE DIMENSION DRAWING W ALUMINIUM TOTALLY ENCLOSED FAN COOLED

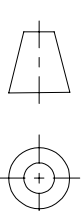
80 FRAME FOOT MOUNTED MOTOR

SHEET SIZE  
**A3**

DRAWN	NAME	DATE
CHECKED	RS.	07/03/97
SCALE	AH.	07/03/97
		1:2.5

CUSTOMER	
ORDER No.	
PART No.	
OUR ORDER No.	
FRAME SIZE	
KW.	RPM.
HZ	PHASE
VOLTS	POLES
BRGS.	DE.
MOTOR NETT WT.	NDE.
SPECIAL REMARKS	Kg.

ALL DIMENSIONS IN MILLIMETRES.



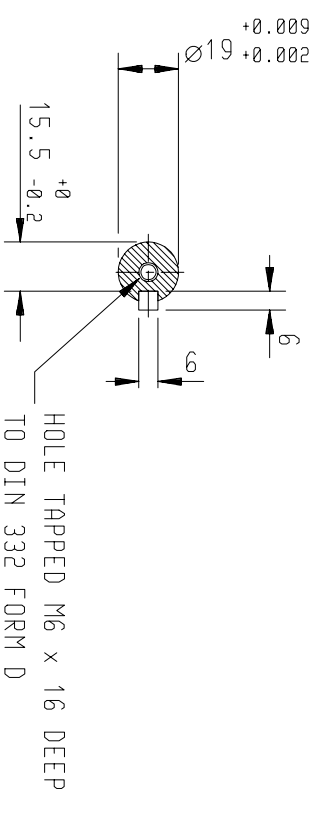
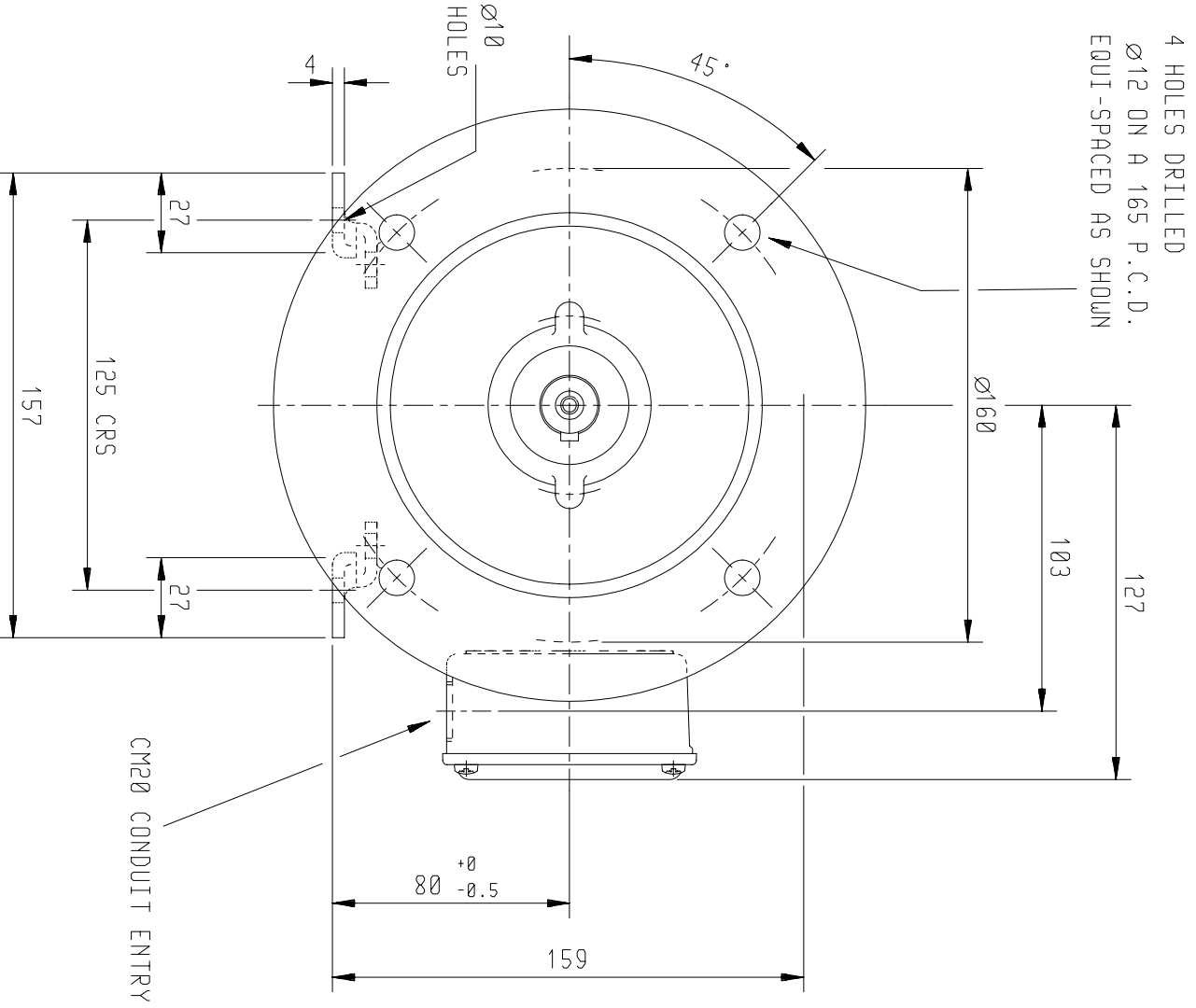
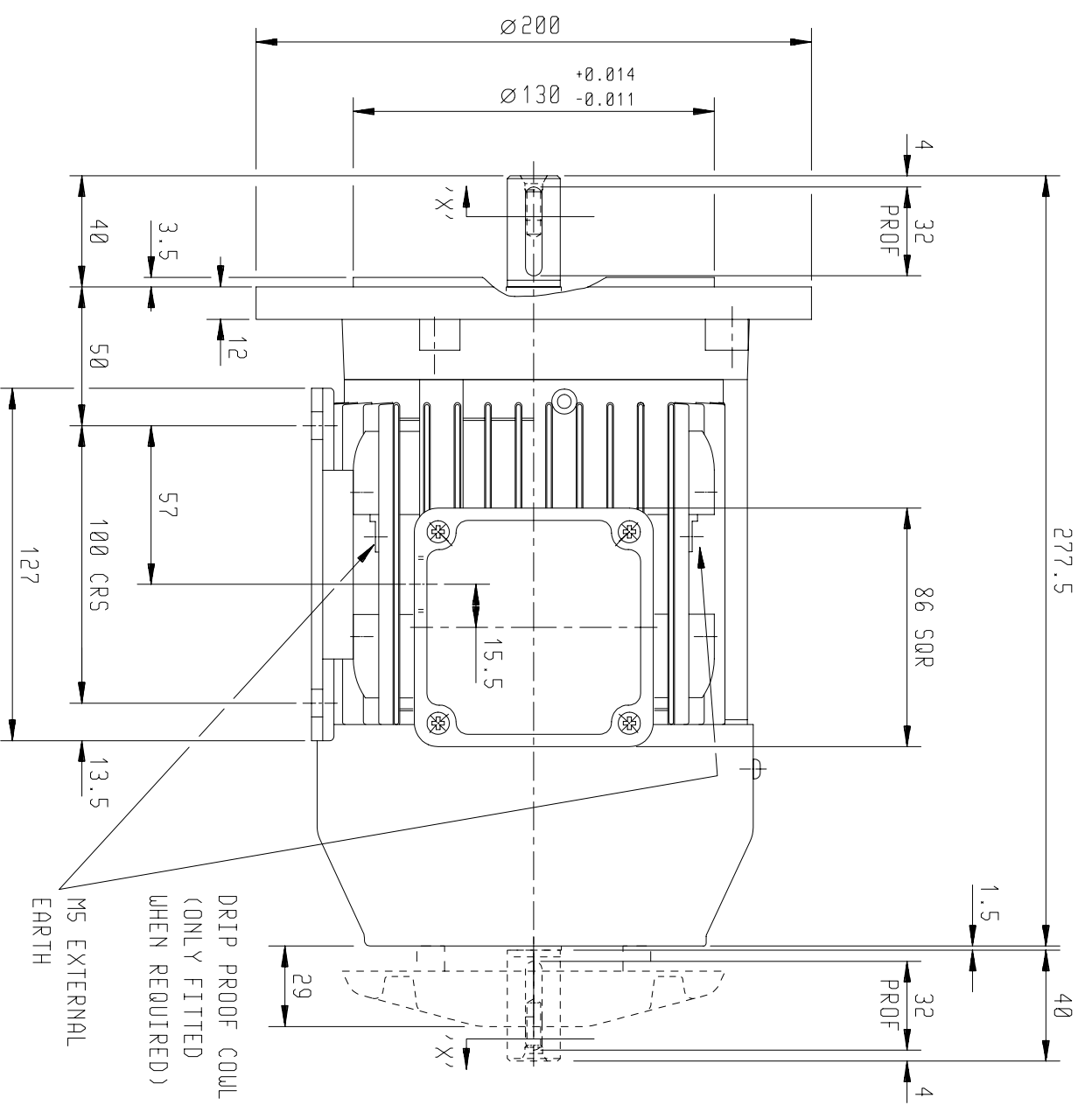
FIRST ANGLE  
 PROJECTION

**BROOK**  
**PROMPTON**

Small Industrial Motors

Huddersfield, W. Yorkshire, HD1 3LJ

DRG. No.	W80GF000/1
DRG. REF.	
REVISION:	VLS DATE 31/10/98



VIEW ON 'X'

TERMINAL BOX POSITION:- CAN BE ARRANGED AT EITHER 9,12 OR 3 O'CLOCK BY MOVING FEET.

STANDARD TERMINAL BOX POSITION IS 3 O'CLOCK AS SHOWN.

CONDUIT ENTRIES:- TERMINAL BOX CAN BE ROTATED AT 90° INTERVALS

(CONDUIT ENTRY POSITION SHOWN FOR ILLUSTRATION ONLY).

DRIP PROOF COUL (ONLY FITTED WHEN REQUIRED)

MS EXTERNAL EARTH

CM20 CONDUIT ENTRY

CUSTOMER	
ORDER No.	
PART No.	
OUR ORDER No.	
FRAME SIZE	
KW.	RPM.
HZ	PHASE
VOLTS	POLES
BRGS.	DE.
MOTOR NETT WT.	NDE.
SPECIAL REMARKS	Kg.

ALL DIMENSIONS IN MILLIMETRES.

FIRST ANGLE PROJECTION

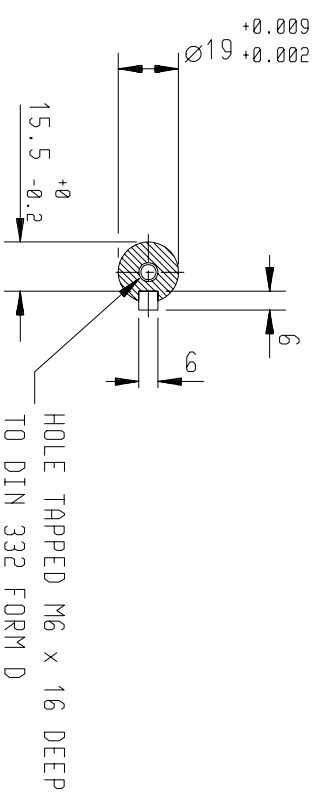
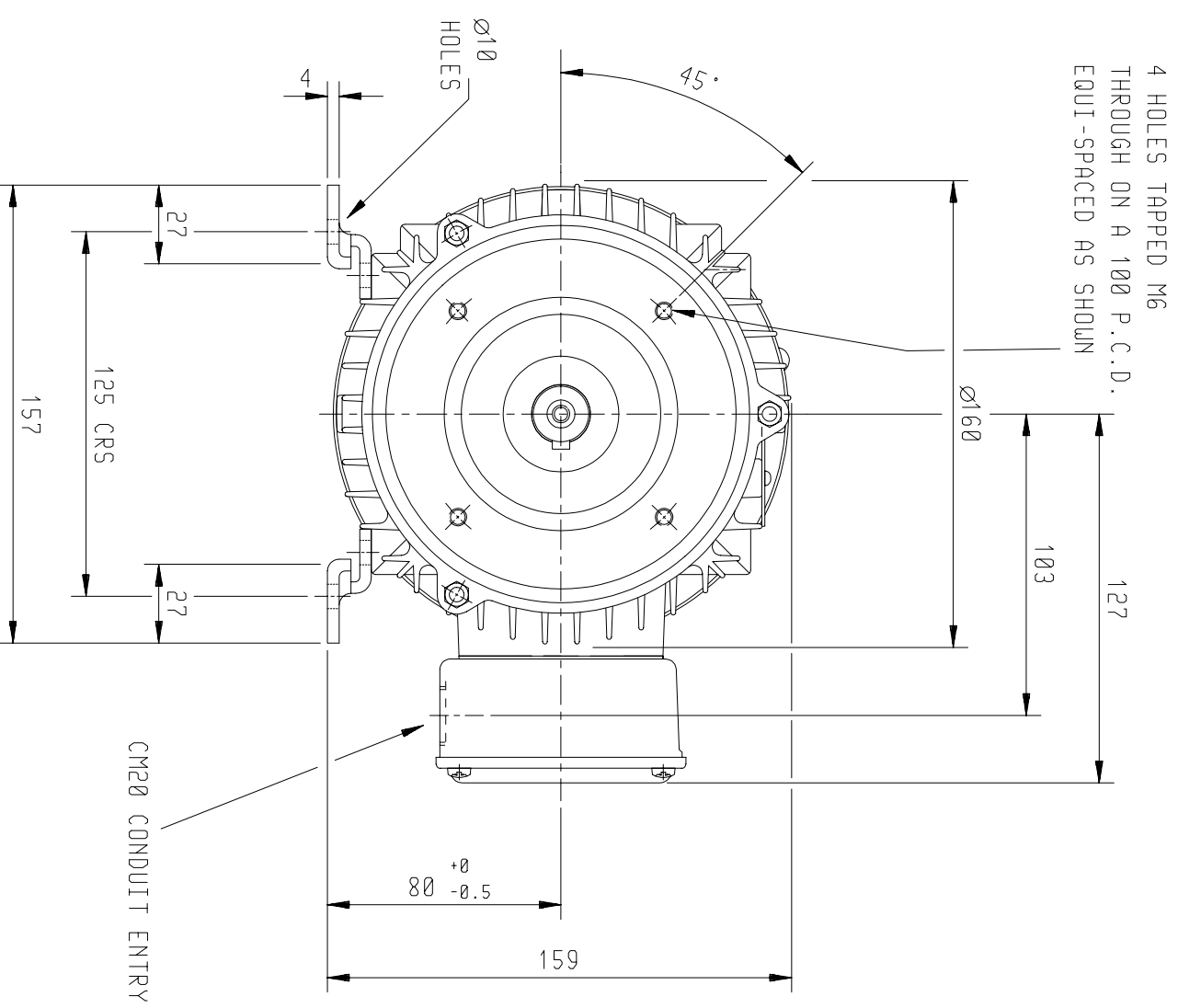
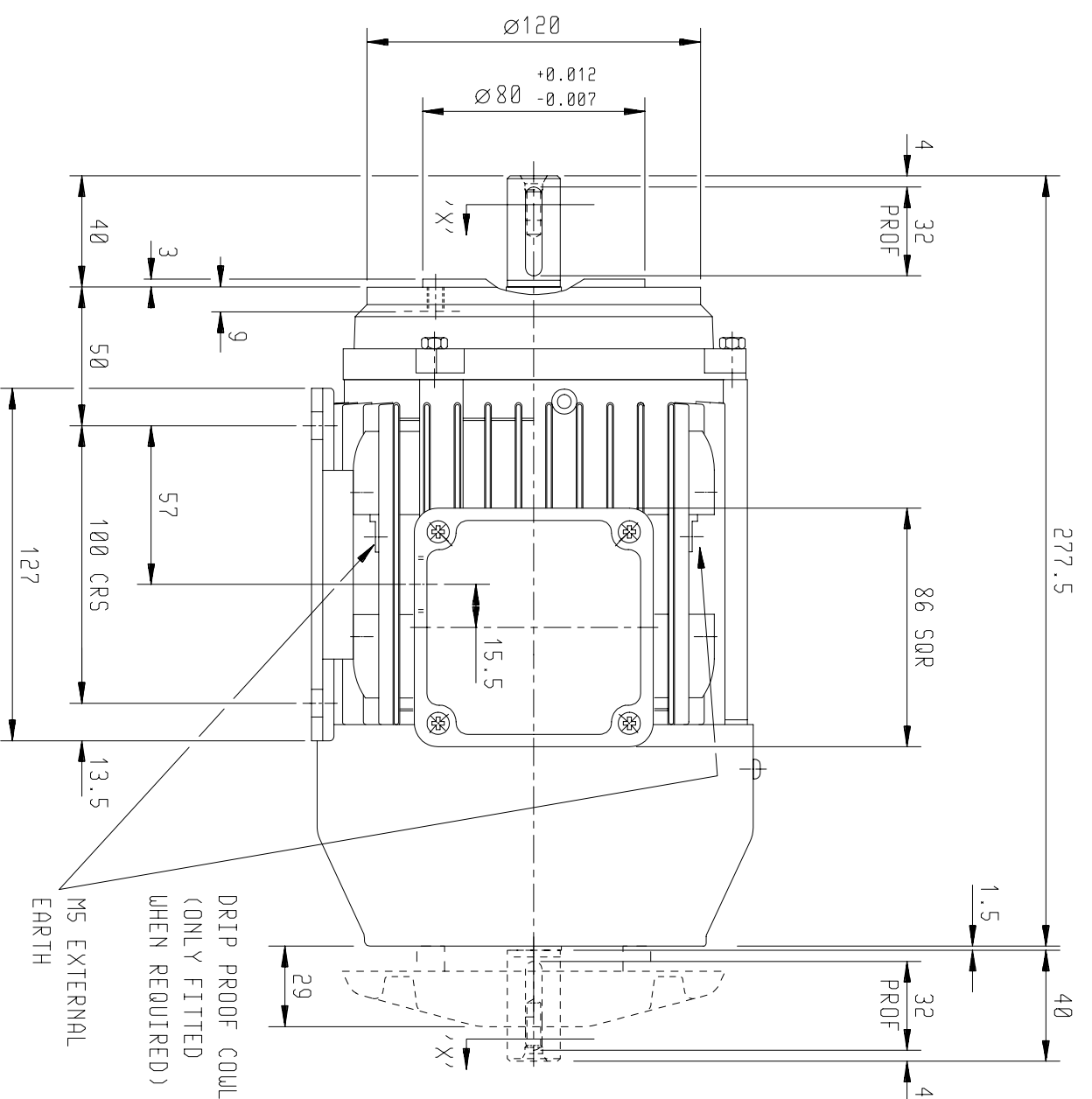


Small Industrial Motors  
 Huddersfield, W. Yorkshire, HD1 3LJ

SHEET TITLE  
 SIZE OUTLINE DIMENSION DRAWING W ALUMINIUM TOTALLY ENCLOSED FAN COOLED  
 A3 80 FRAME FOOT AND 'D' FLANGE MOUNTED MOTOR

DRAWN	NAME	DATE
CHECKED	RS.	07/03/97
SCALE	AH.	07/03/97
		1:2.5

DRG. No.	W80GD001/2		
DRG. REF.			
REVISION:	VLS	DATE	27-04-01



VIEW ON 'X'

HOLE TAPPED M6 x 16 DEEP  
 TO DIN 332 FORM D

TERMINAL BOX POSITION:- CAN BE ARRANGED AT EITHER 9,12 OR 3 O'CLOCK BY MOVING FEET.

STANDARD TERMINAL BOX POSITION IS 3 O'CLOCK AS SHOWN.

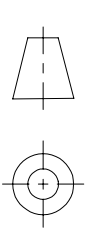
CONDUIT ENTRIES:- TERMINAL BOX CAN BE ROTATED AT 90° INTERVALS  
 (CONDUIT ENTRY POSITION SHOWN FOR ILLUSTRATION ONLY).

NOTE: CARE SHOULD BE TAKEN TO ENSURE THAT SCREWS OR STUDS DO NOT  
 EXTEND INSIDE THE MOTOR BEYOND THE DEPTH OF THE THREAD FIXING HOLE

4 HOLES TAPPED M6  
 THROUGH ON A 100 P.C.D.  
 EQUI-SPACED AS SHOWN

CM20 CONDUIT ENTRY

ALL DIMENSIONS IN MILLIMETRES.



FIRST ANGLE  
 PROJECTION

**BROOK**  
**PROMPTON**

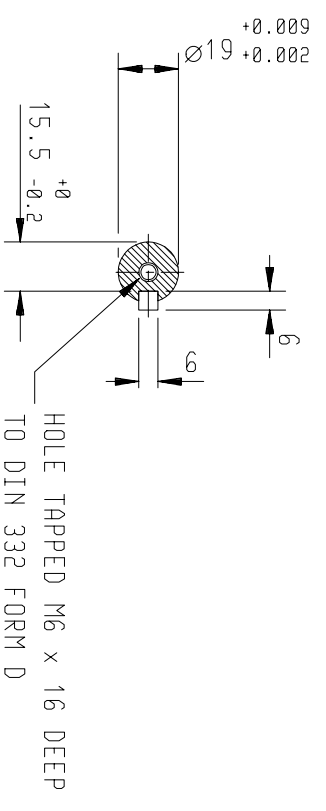
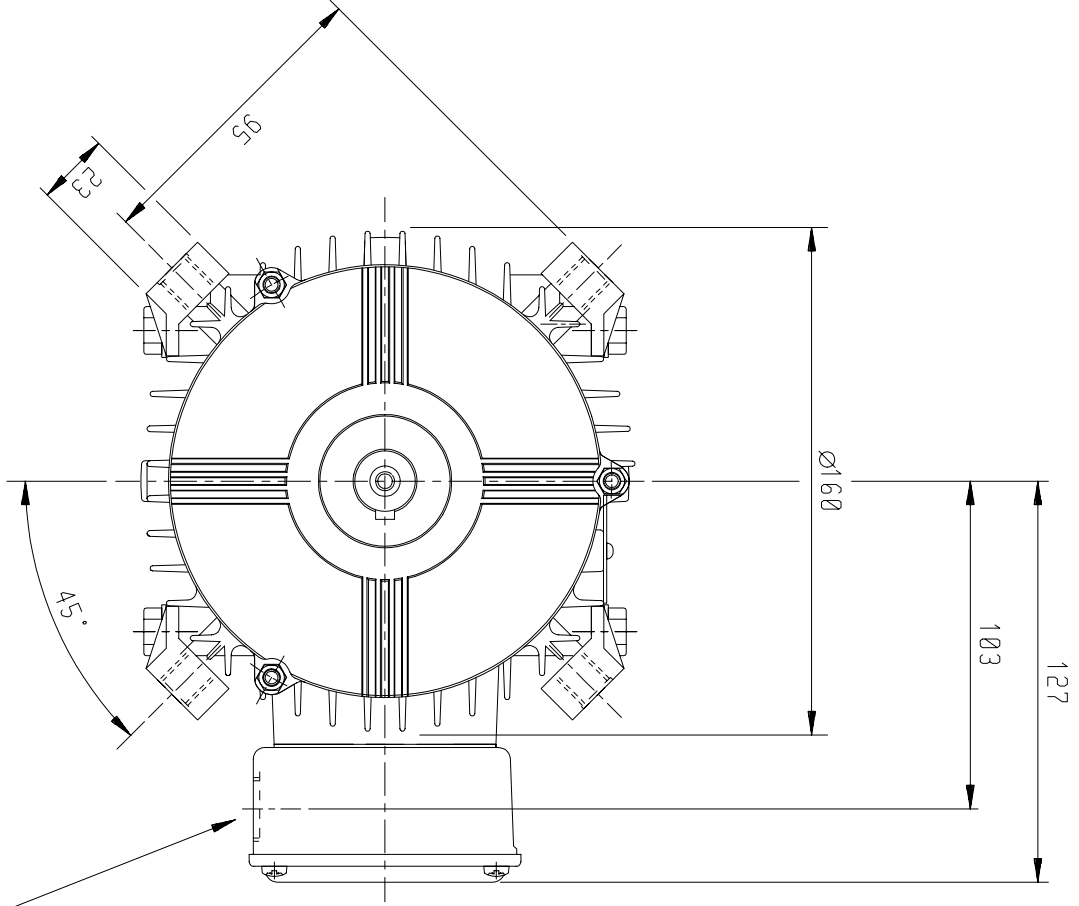
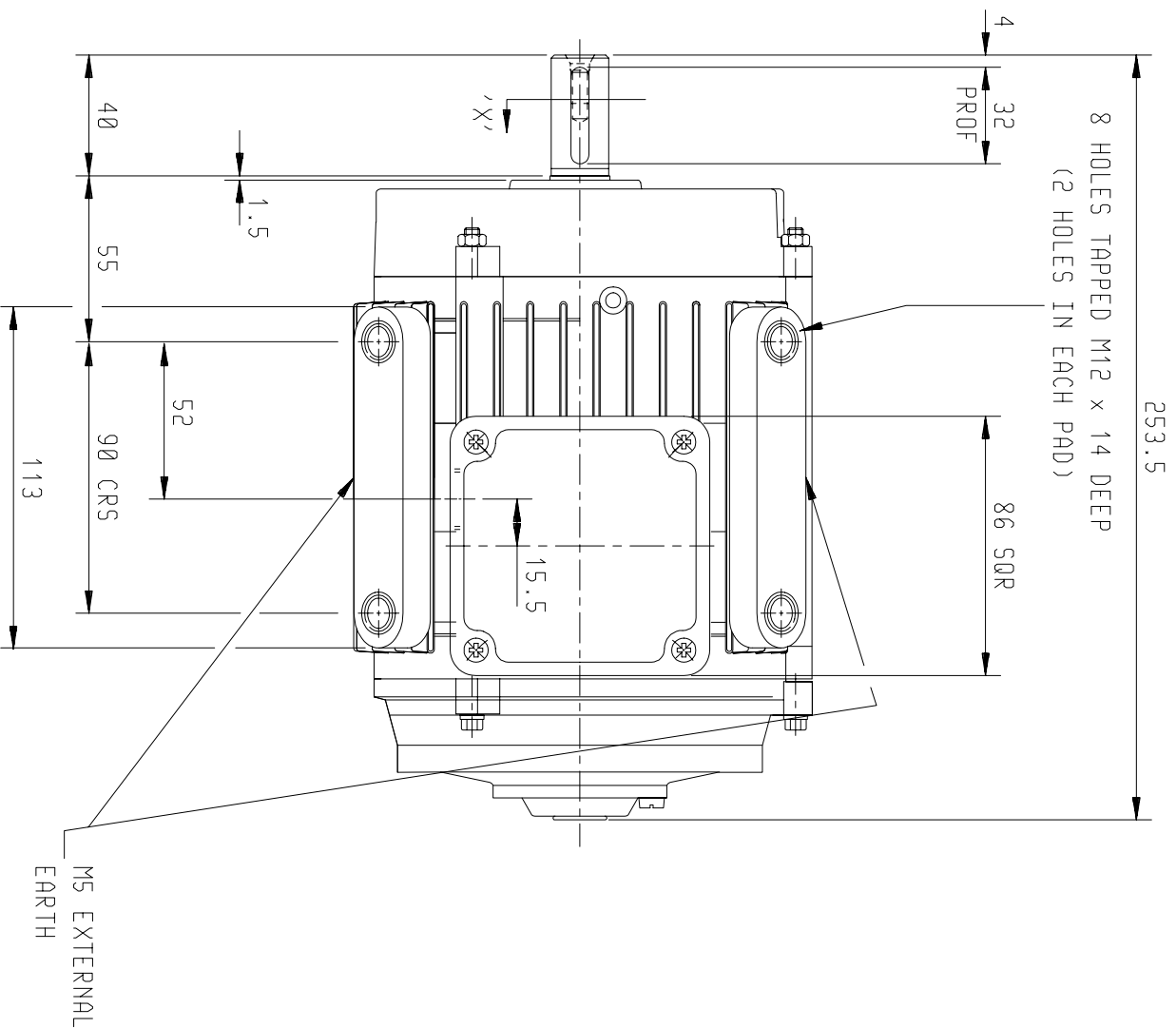
Small Industrial Motors  
 Huddersfield, W. Yorkshire, HD1 3LJ

CUSTOMER	
ORDER No.	
PART No.	
OUR ORDER No.	
FRAME SIZE	
KW.	RPM.
HZ	PHASE
VOLTS	POLES
BRGS.	DE.
MOTOR NETT WT.	NDE.
SPECIAL REMARKS	Kg.

TITLE  
 OUTLINE DIMENSION DRAWING W ALUMINIUM TOTALLY ENCLOSED FAN COOLED  
 80 FRAME FOOT AND 'C' FACE MOUNTED MOTOR

DRAWN	NAME	DATE
CHECKED	RS.	07/03/97
SCALE	AH.	07/03/97
		1:2.5

DRG. No.	W80GC001/2		
DRG. REF.			
REVISION:	VLS	DATE	27-04-01



VIEW ON 'X'

TERMINAL BOX POSITION:- CAN BE ARRANGED AT EITHER 9, 12 OR 3 O'CLOCK.

STANDARD TERMINAL BOX POSITION IS 3 O'CLOCK AS SHOWN.

CONDUIT ENTRIES:- TERMINAL BOX CAN BE ROTATED AT 90° INTERVALS

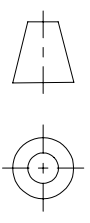
(CONDUIT ENTRY POSITION SHOWN FOR ILLUSTRATION ONLY).

OUTLINE DIMENSION DRAWING W ALUMINIUM TOTALLY ENCLOSED NO FAN

80 FRAME PAD MOUNTED MOTOR

CUSTOMER	
ORDER No.	
PART No.	
OUR ORDER No.	
FRAME SIZE	
KW.	RPM.
HZ	PHASE
VOLTS	POLES
BRGS.	DE.
MOTOR NETT WT.	Kg.
SPECIAL REMARKS	

ALL DIMENSIONS IN MILLIMETRES.



FIRST ANGLE PROJECTION

**BROOK PROMPTON**

Small Industrial Motors

Huddersfield, W. Yorkshire, HD1 3LJ

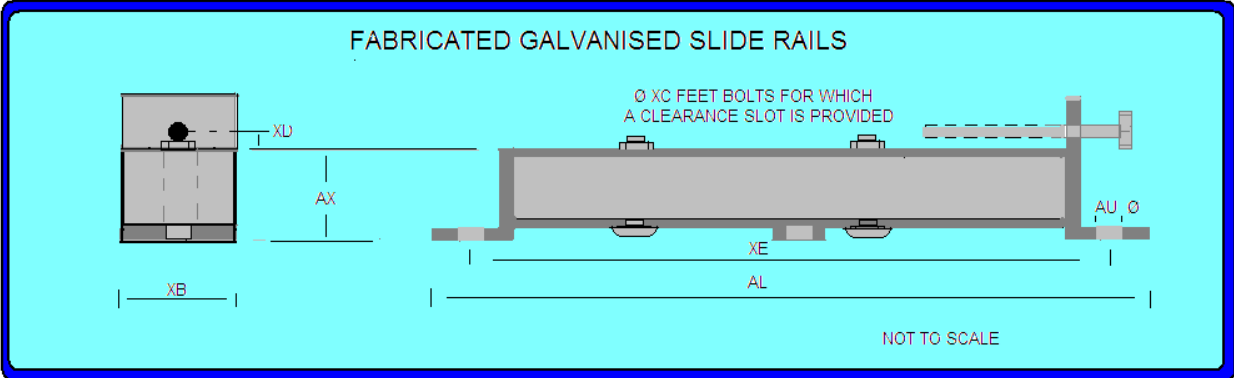
DRG. No. W80GP002/1

DRG. REF.

REVISION:	DH.	DATE	09-09-02
-----------	-----	------	----------

DRAWN	NAME	DATE
CHECKED	DRM	26-11-98
SCALE	DJR	26-11-98
		1:2.5

## Slide Rails



Code	AL	AU	AX	XB	XD	XE	Bolt Size	Frame Size	BT	XC Motor Foot Bolts
<b>M0809</b>	355	10	30	30	6	325	M10 X 150	71 80 90	90 83 67	M8 X 40

All data is subject to confirmation by BROOK-MTL

E&OE

BROOK MTL, 63 Allens Road, East Tamaki, Auckland, New Zealand

Associate companies: [Rotating Machinery Supplies](mailto:rotatingmachinery@clear.net.nz), 6 Devon Road, Hamilton. [rotatingmachinery@clear.net.nz](mailto:rotatingmachinery@clear.net.nz)  
[Soco Electric Motors](mailto:sales@soco.co.nz), 473 Tremaine Ave, Palmerston North. [sales@soco.co.nz](mailto:sales@soco.co.nz)

