



BS British Standard 1 | General Purpose | High Efficiency | Aluminium
2 pole 50Hz | 0.75(kW) | W-DA80ME

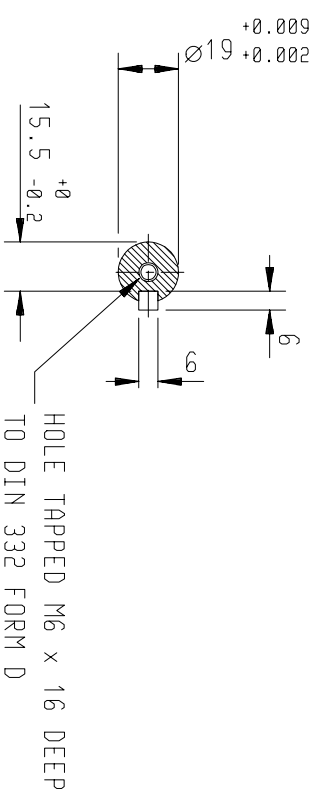
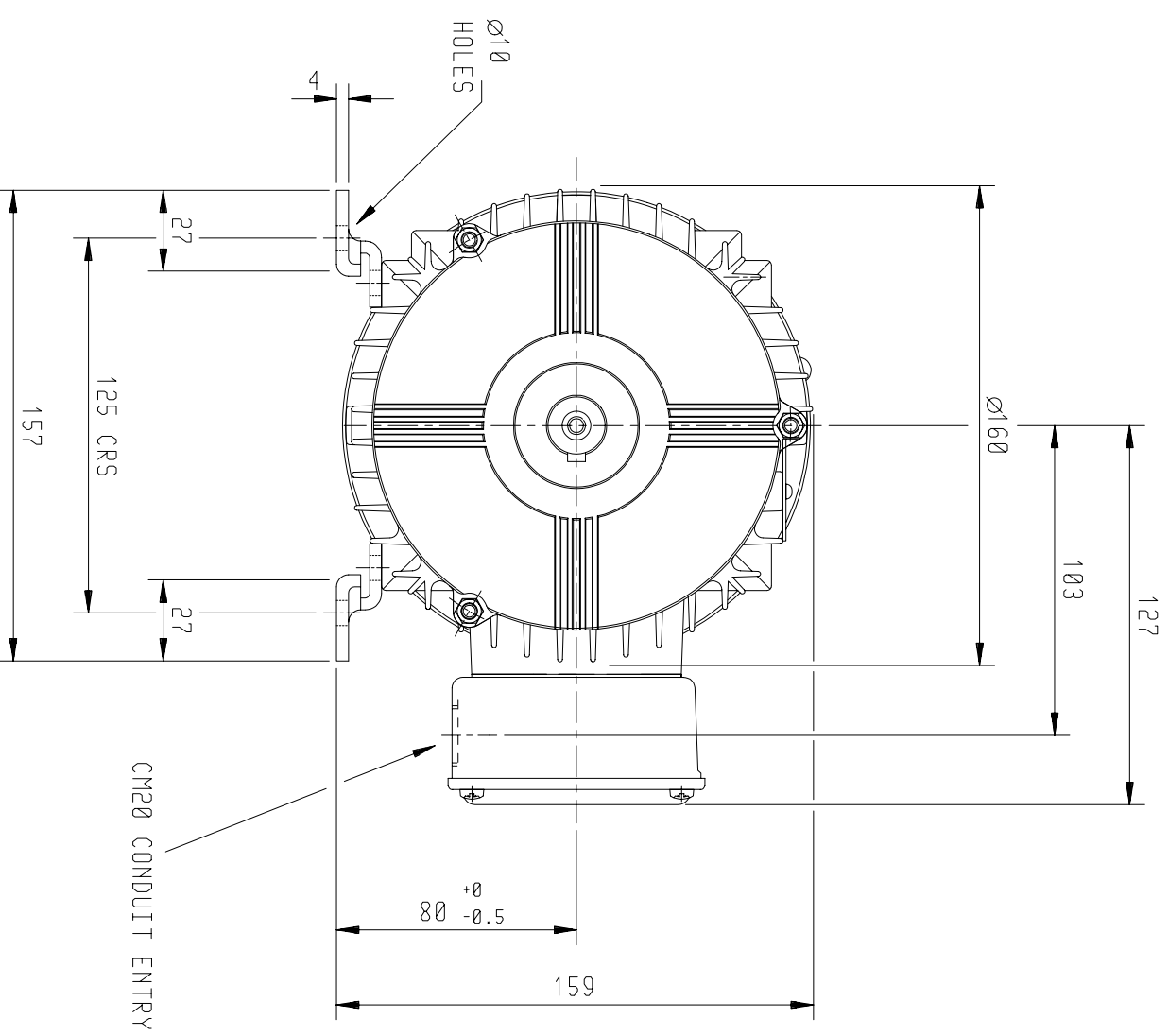
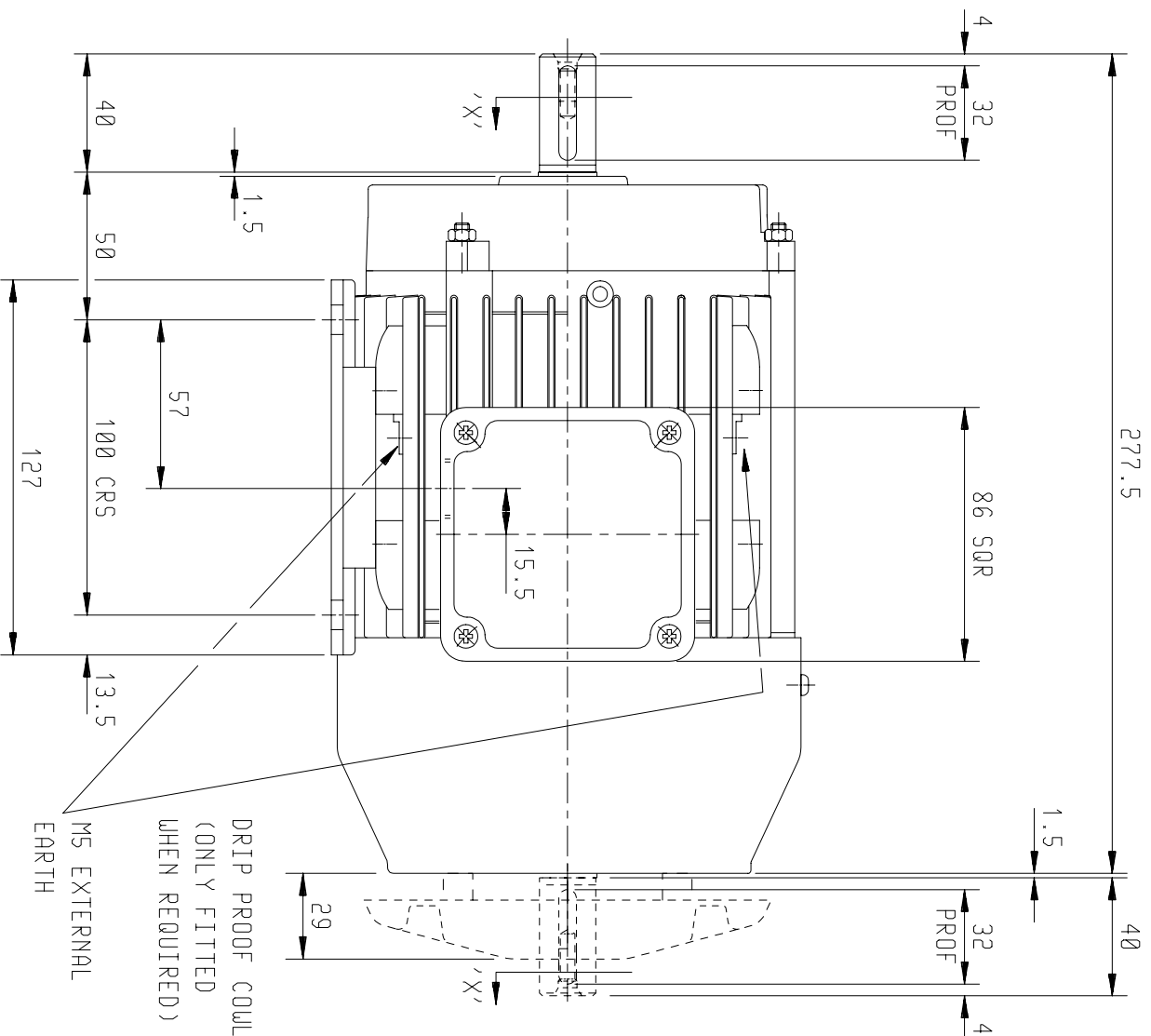
Performance Data	
Performance Data	Value
Output (kW)	0.75
Pole	2
Full load speed (RPM)	2850
Full Load Torque (Nm)	2.51
Full load current @ 380V (A)	1.77
Full load current @ 400V (A)	1.53
Full load current @ 415V (A)	1.37
Efficiency Full load (%)	80.5
Efficiency 3/4 load (%)	80
Efficiency 1/2 load (%)	76
Power Factor Full load	0.84
Power factor 3/4 load	0.78
Power Factor 1/2 load	0.69
Direct on line starting torque ratio	2.2
Direct on line starting current ratio	5.5
Direct on line Pull out torque ratio	2.5
Direct on line Pull up torque ratio	2.2
Rotor inertia (kgm ²)	0.0014
Mean sound pressure @1m on no load (dB(A))	56

Standard Features	
Feature	Standard Product
Frequency (Hz)	50Hz / 60Hz
Enclosure	IP55 protection
Cooling Method	IC411 TEFV (Totally Enclosed Fan Ventilated)
T-box position	Top
Lubrication	Regreasing facilities available on request
Balance	Grade N
Bearings	Ball/ball C3 clearance
Drain Holes	160 & 180 frame only
Temperature Rise	Class B (80°C)
Insulation Class	Class F (155°C)
Duty Cycle	S1 continuous rated
Earth Facility	Internal and external
Thermal Protection	Available on request

Shaft Loads	
Mounting	Shaft Load (Nm)
Horizontal shaft load towards motor	339
Horizontal shaft load away motor	539
Vertical shaft up, load towards motor	321
Vertical shaft up, load away motor	565
Vertical shaft down, load towards motor	362
Vertical shaft down, load away motor	521
Maximum radial load at end of shaft	774
Bearing life (hours)	20000

Bearings and Oil Seals	
Feature	Standard Product
Drive end bearing	62042Z
Non-drive end bearing	60032Z
Drive end oil seal	20 x 30 x 7
Non drive end oil seal	15 x 24 x 5
Grease life (horizontal mounting)	30,000
Grease life (vertical mounting)	30,000

Variations to the standard specification can be supplied on request



HOLE TAPPED M6 x 16 DEEP
 TO DIN 332 FORM D

VIEW ON 'X'

DRIP PROOF COUL
 (ONLY FITTED
 WHEN REQUIRED)

MS EXTERNAL
 EARTH

CM20 CONDUIT ENTRY

TERMINAL BOX POSITION:- CAN BE ARRANGED AT EITHER 9,12 OR 3 O'CLOCK BY MOVING FEET.

STANDARD TERMINAL BOX POSITION IS 3 O'CLOCK AS SHOWN.

CONDUIT ENTRIES:- TERMINAL BOX CAN BE ROTATED AT 90° INTERVALS

(CONDUIT ENTRY POSITION SHOWN FOR ILLUSTRATION ONLY).

OUTLINE DIMENSION DRAWING W ALUMINIUM TOTALLY ENCLOSED FAN COOLED

80 FRAME FOOT MOUNTED MOTOR

A3

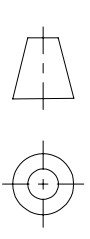
SHEET SIZE

TITLE

DRAWN	NAME	DATE
CHECKED	RS.	07/03/97
SCALE	AH.	07/03/97
		1:2.5

CUSTOMER	
ORDER No.	
PART No.	
OUR ORDER No.	
FRAME SIZE	
KW.	RPM.
HZ	PHASE
VOLTS	POLES
BRGS.	DE.
MOTOR NETT WT.	NDE.
SPECIAL REMARKS	Kg.

ALL DIMENSIONS IN MILLIMETRES.



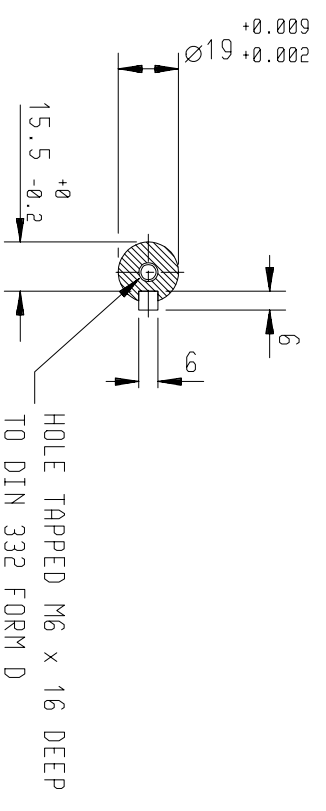
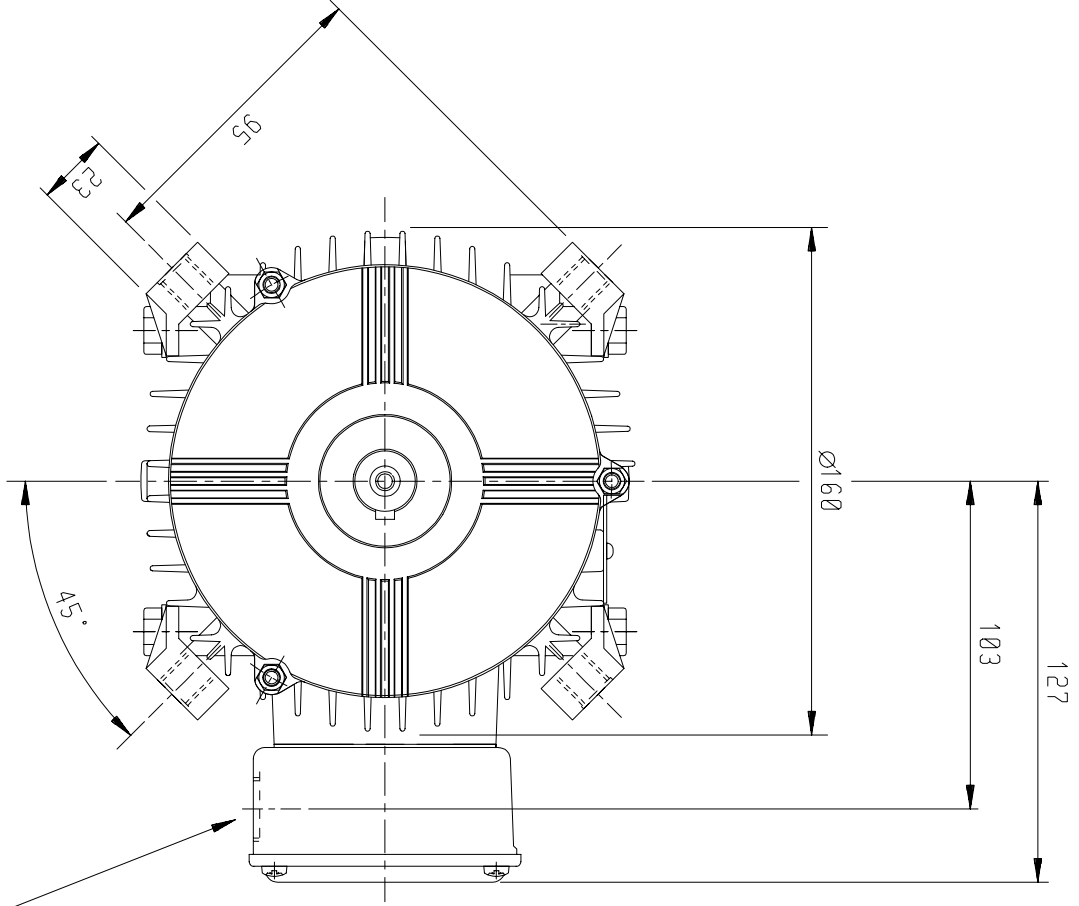
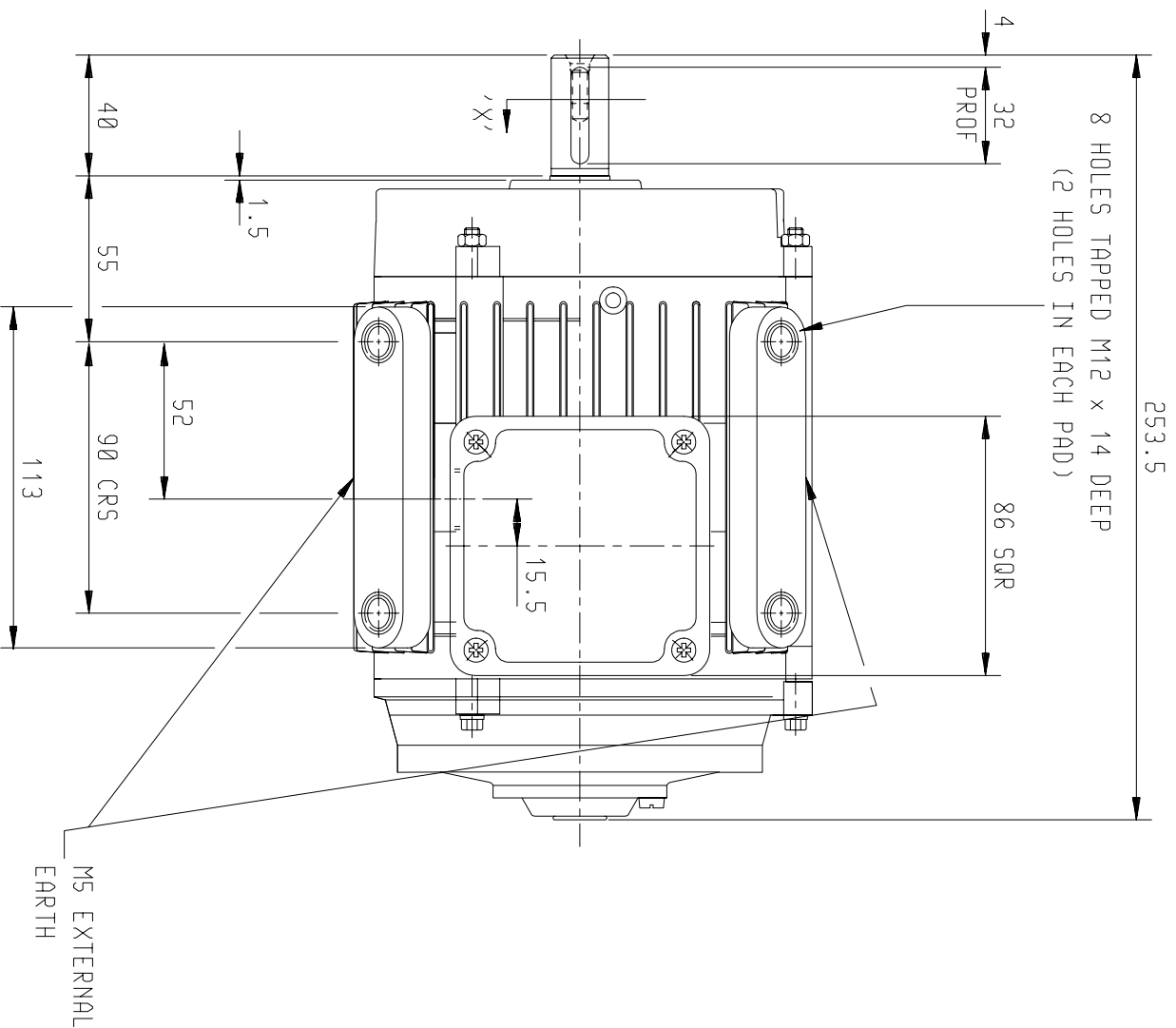
FIRST ANGLE
 PROJECTION

BROOK
PROMPTON

Small Industrial Motors

Huddersfield, W. Yorkshire, HD1 3LJ

DRG. No.	W80GF000/1
DRG. REF.	
REVISION:	VLS DATE 31/10/98



TERMINAL BOX POSITION:- CAN BE ARRANGED AT EITHER 9, 12 OR 3 O'CLOCK.
 STANDARD TERMINAL BOX POSITION IS 3 O'CLOCK AS SHOWN.
 CONDUIT ENTRIES:- TERMINAL BOX CAN BE ROTATED AT 90° INTERVALS
 (CONDUIT ENTRY POSITION SHOWN FOR ILLUSTRATION ONLY).

OUTLINE DIMENSION DRAWING W ALUMINIUM TOTALLY ENCLOSED NO FAN
 80 FRAME PAD MOUNTED MOTOR

CUSTOMER	
ORDER No.	
PART No.	
OUR ORDER No.	
FRAME SIZE	
KW.	RPM.
HZ	PHASE
VOLTS	POLES
BRGS.	DE.
MOTOR NETT WT.	Kg.
SPECIAL REMARKS	

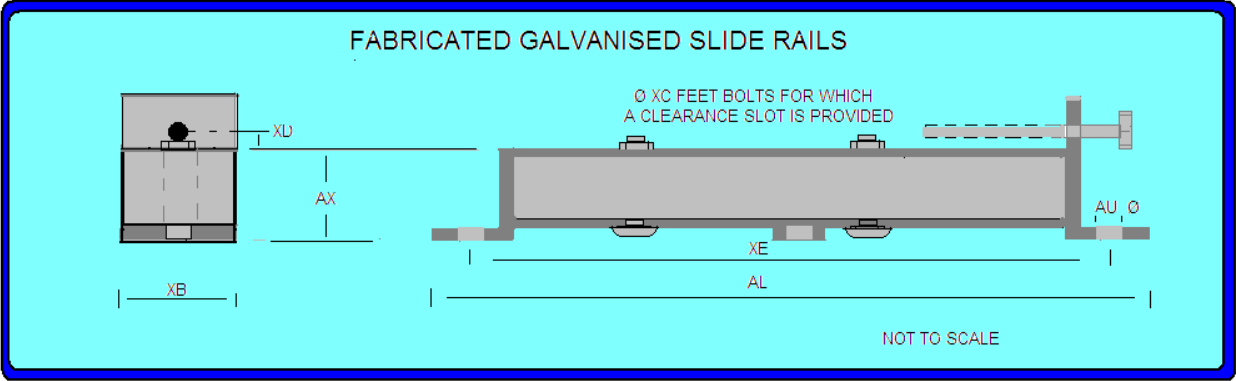
ALL DIMENSIONS IN MILLIMETRES.
 FIRST ANGLE PROJECTION

BROOK PROMPTON
 Small Industrial Motors
 Huddersfield, W. Yorkshire, HD1 3LJ

DRAWN	NAME	DATE
CHECKED	DRM	26-11-98
SCALE	DJR	26-11-98
		1:2.5

DRG. No.	W80GP002/1		
DRG. REF.			
REVISION:	DH.	DATE	09-09-02

Slide Rails



Code	AL	AU	AX	XB	XD	XE	Bolt Size	Frame Size	BT	XC Motor Foot Bolts
M0809	355	10	30	30	6	325	M10 X 150	71 80 90	90 83 67	M8 X 40

All data is subject to confirmation by BROOK-MTL

E&OE

BROOK MTL, 63 Allens Road, East Tamaki, Auckland, New Zealand

Associate companies: [Rotating Machinery Supplies](mailto:rotatingmachinery@clear.net.nz), 6 Devon Road, Hamilton. rotatingmachinery@clear.net.nz
[Soco Electric Motors](mailto:sales@soco.co.nz), 473 Tremaine Ave, Palmerston North. sales@soco.co.nz

