



**BS British Standard 1 | General Purpose | High Efficiency | Aluminium
2pole 50Hz | 1.5(kW) | W-DA90SF**

Performance Data	
Performance Data	Value
Output (kW)	1.5
Pole	2
Full load speed (RPM)	2870
Full Load Torque (Nm)	4.99
Full load current @ 380V (A)	3.3
Full load current @ 400V (A)	3.1
Full load current @ 415V (A)	3.09
Efficiency Full load (%)	84.1
Efficiency 3/4 load (%)	84.1
Efficiency 1/2 load (%)	83.4
Power Factor Full load	0.85
Power factor 3/4 load	0.75
Power Factor 1/2 load	0.66
Direct on line starting torque ratio	2.5
Direct on line starting current ratio	6
Direct on line Pull out torque ratio	3
Direct on line Pull up torque ratio	2.2
Rotor inertia (kgm ²)	0.0023
Mean sound pressure @1m on no load (dB(A))	66

Shaft Loads	
Mounting	Shaft Load (Nm)
Horizontal shaft load towards motor	444
Horizontal shaft load away motor	684
Vertical shaft up, load towards motor	421
Vertical shaft up, load away motor	716
Vertical shaft down, load towards motor	476
Vertical shaft down, load away motor	661
Maximum radial load at end of shaft	915
Bearing life (hours)	20000

Standard Features	
Feature	Standard Product
Frequency (Hz)	50Hz / 60Hz
Enclosure	IP55 protection
Cooling Method	IC411 TEFV (Totally Enclosed Fan Ventilated)
T-box position	Top
Lubrication	Regreasing facilities available on request
Balance	Grade N
Bearings	Ball/ball C3 clearance
Drain Holes	160 & 180 frame only
Temperature Rise	Class B (80°C)
Insulation Class	Class F (155°C)
Duty Cycle	S1 continuous rated
Earth Facility	Internal and external
Thermal Protection	Available on request

Bearings and Oil Seals	
Feature	Standard Product
Drive end bearing	62052Z
Non-drive end bearing	62032Z
Drive end oil seal	25 x 35 x 7
Non drive end oil seal	17 x 28 x 6
Grease life (horizontal mounting)	30,000
Grease life (vertical mounting)	30,000

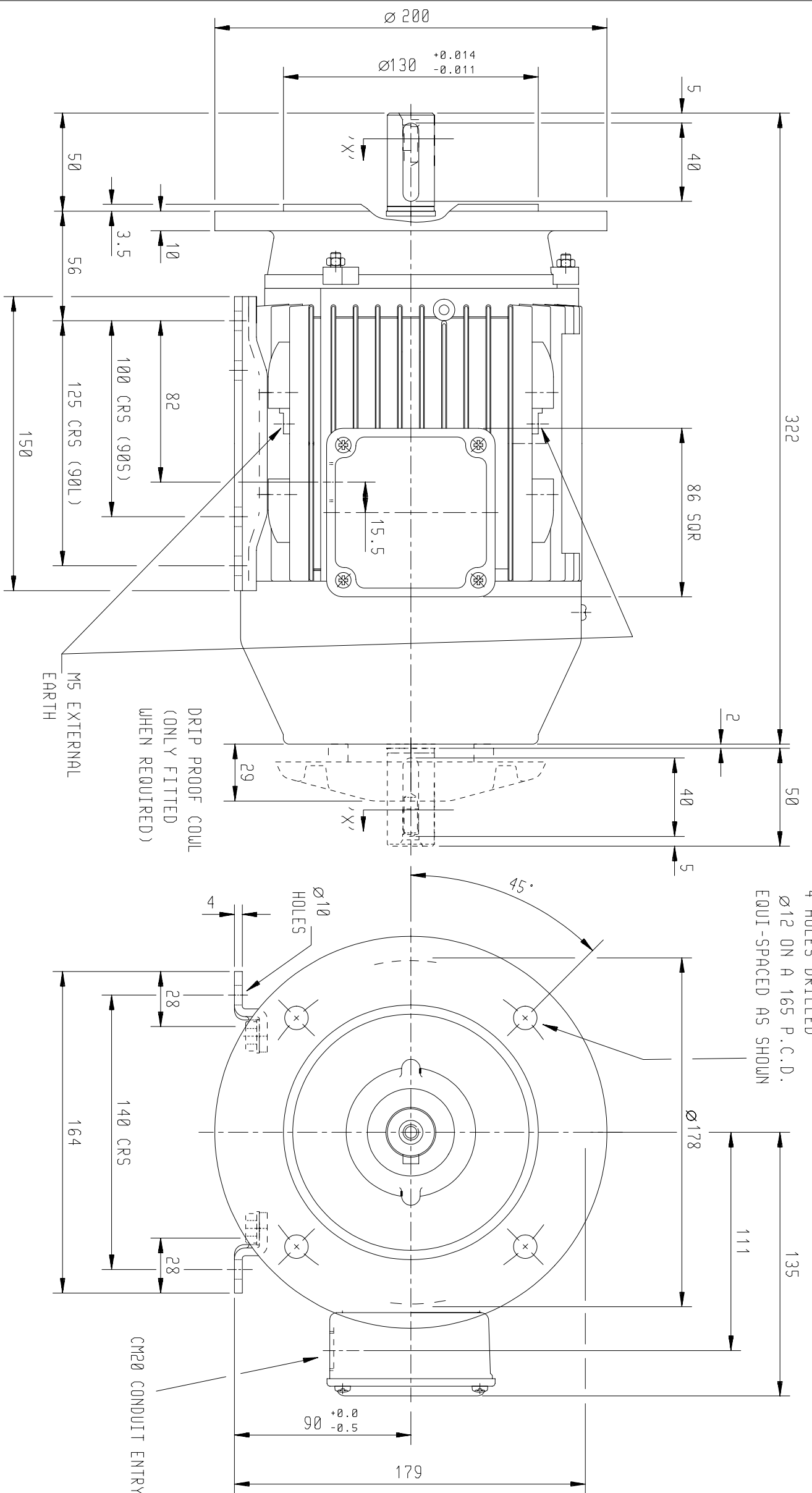
Variations to the standard specification can be supplied on request

All data is subject to confirmation by BROOK MTL

E&OE

BROOK-MTL, 63 Allens Road, East Tamaki, Auckland 2161, New Zealand
Tel +64 9 271 6063 - Fax +64 9 271 6020 www.brookmtl.co.nz - info@brookmtl.co.nz

Associate company: [Rotating Machinery Supplies](http://RotatingMachinerySupplies.com), 6 Devon Road, Hamilton 3242 rotatingmachinery@clear.net.nz
[Soco Electric Motors](http://SocoElectricMotors.com), 473 Tremaine Ave, Palmerston North 4412 sales@soco.co.nz



4 HOLES DRILLED
 Ø12 ON A 165 P.C.D.
 EQUI-SPACED AS SHOWN

TERMINAL BOX POSITION:- CAN BE ARRANGED AT EITHER 9,12 OR 3 O'CLOCK BY MOVING FEET.
 STANDARD TERMINAL BOX POSITION IS 3 O'CLOCK AS SHOWN.
 CONDUIT ENTRIES:- TERMINAL BOX CAN BE ROTATED AT 90° INTERVALS
 (CONDUIT ENTRY POSITION SHOWN FOR ILLUSTRATION ONLY).

SHEET TITLE
 SIZE OUTLINE DIMENSION DRAWING W ALUMINIUM TOTALLY ENCLOSED FAN COOLED
 A3 90S/L FRAME FOOT AND 'D' FLANGE MOUNTED MOTOR

DRAWN	NAME	DATE
CHECKED	RS.	11/03/97
SCALE	IMT	11/03/97
		1:2.5

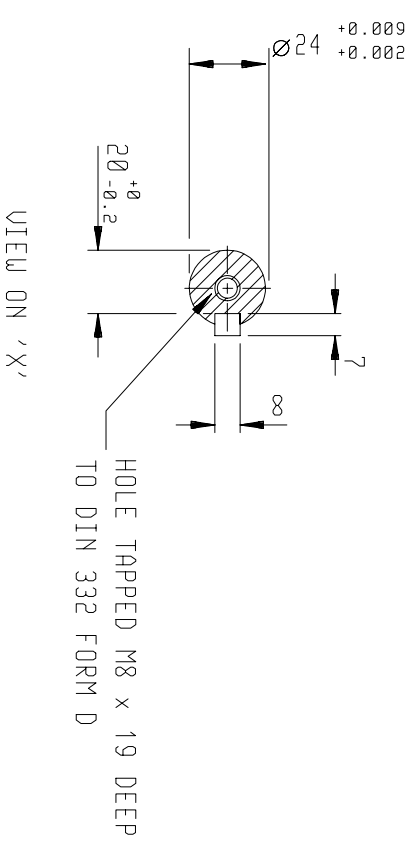
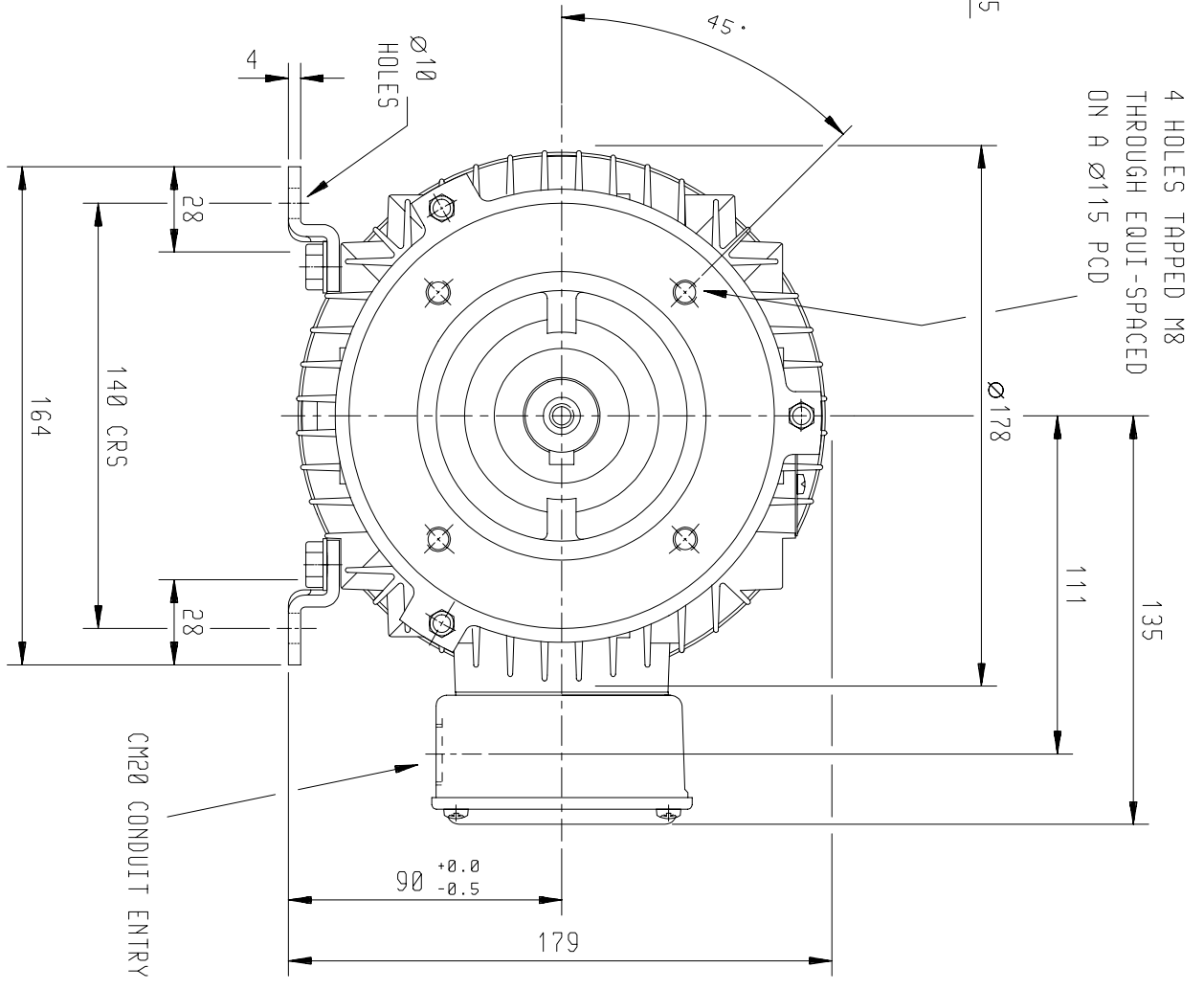
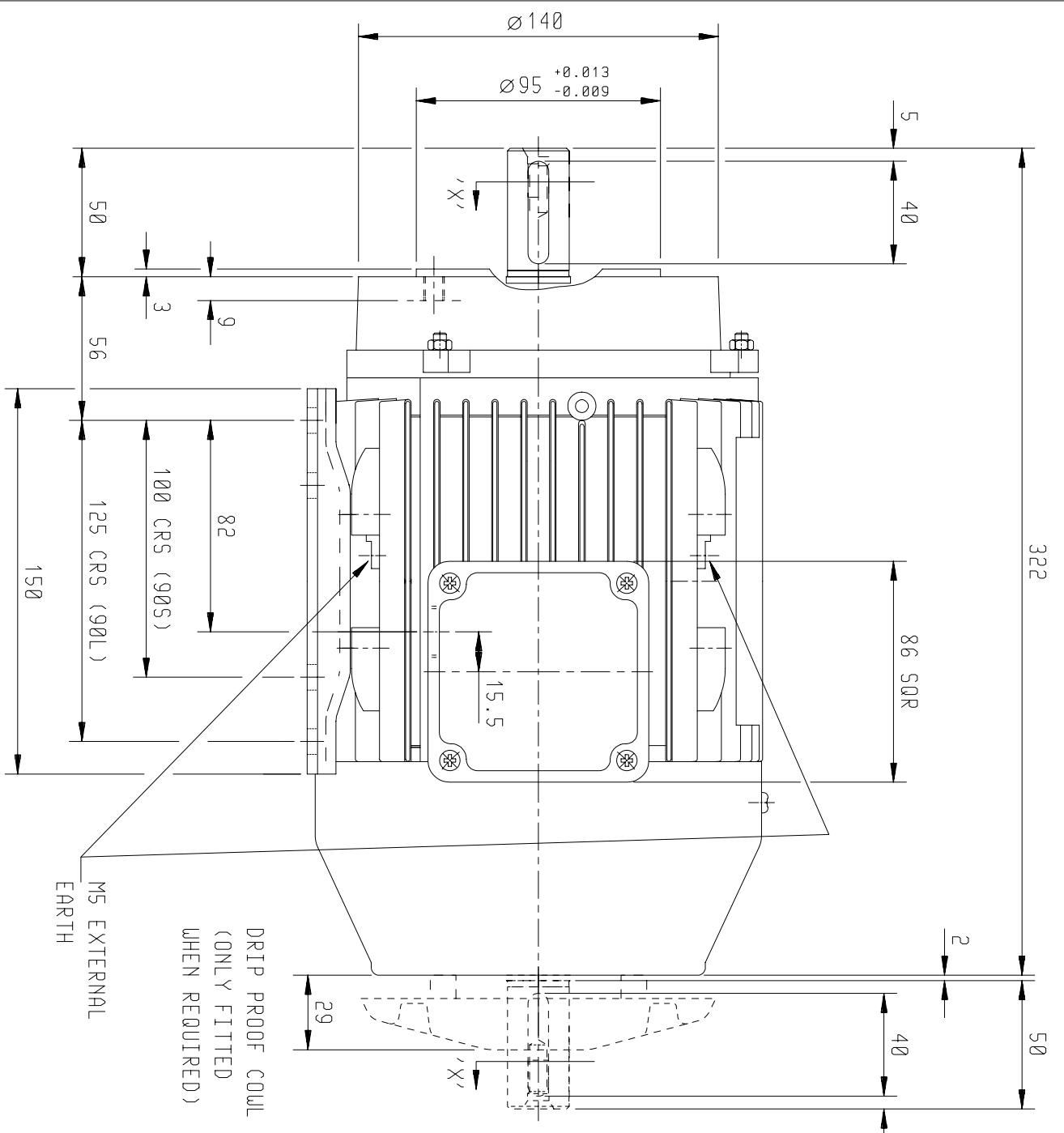
CUSTOMER	
ORDER No.	
PART No.	
OUR ORDER No.	
FRAME SIZE	
KW.	RPM.
HZ	PHASE
VOLTS	POLES
BRGS.	DE.
MOTOR NETT WT.	NDE.
SPECIAL REMARKS	Kg.

ALL DIMENSIONS IN MILLIMETRES.
 FIRST ANGLE PROJECTION

BROOK
PROMPTON

Small Industrial Motors
 Huddersfield, W. Yorkshire, HD1 3LJ

DRG. No.	W90GD001/2
DRG. REF.	
REVISION:	VLS
DATE	30.04.01



TERMINAL BOX POSITION:- CAN BE ARRANGED AT EITHER 9, 12 OR 3 O'CLOCK BY MOVING FEET

STANDARD TERMINAL BOX POSITION IS 3 O'CLOCK AS SHOWN.
 CONDUIT ENTRIES:- TERMINAL BOX CAN BE ROTATED AT 90° INTERVALS (CONDUIT ENTRY POSITION SHOWN FOR ILLUSTRATION ONLY).

NOTE: CARE SHOULD BE TAKEN TO ENSURE THAT SCREWS OR STUDS DO NOT EXTEND INSIDE THE MOTOR BEYOND THE DEPTH OF THE THREAD FIXING HOLE

CUSTOMER	
ORDER No.	
PART No.	
OUR ORDER No.	
FRAME SIZE	
KW.	RPM.
HZ	PHASE
VOLTS	POLES
BRGS.	DE.
MOTOR NETT WT.	NDE.
SPECIAL REMARKS	Kg.

ALL DIMENSIONS IN MILLIMETRES.



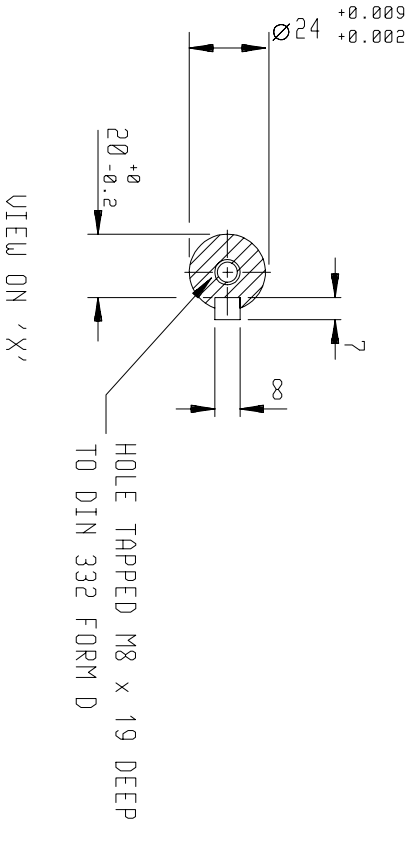
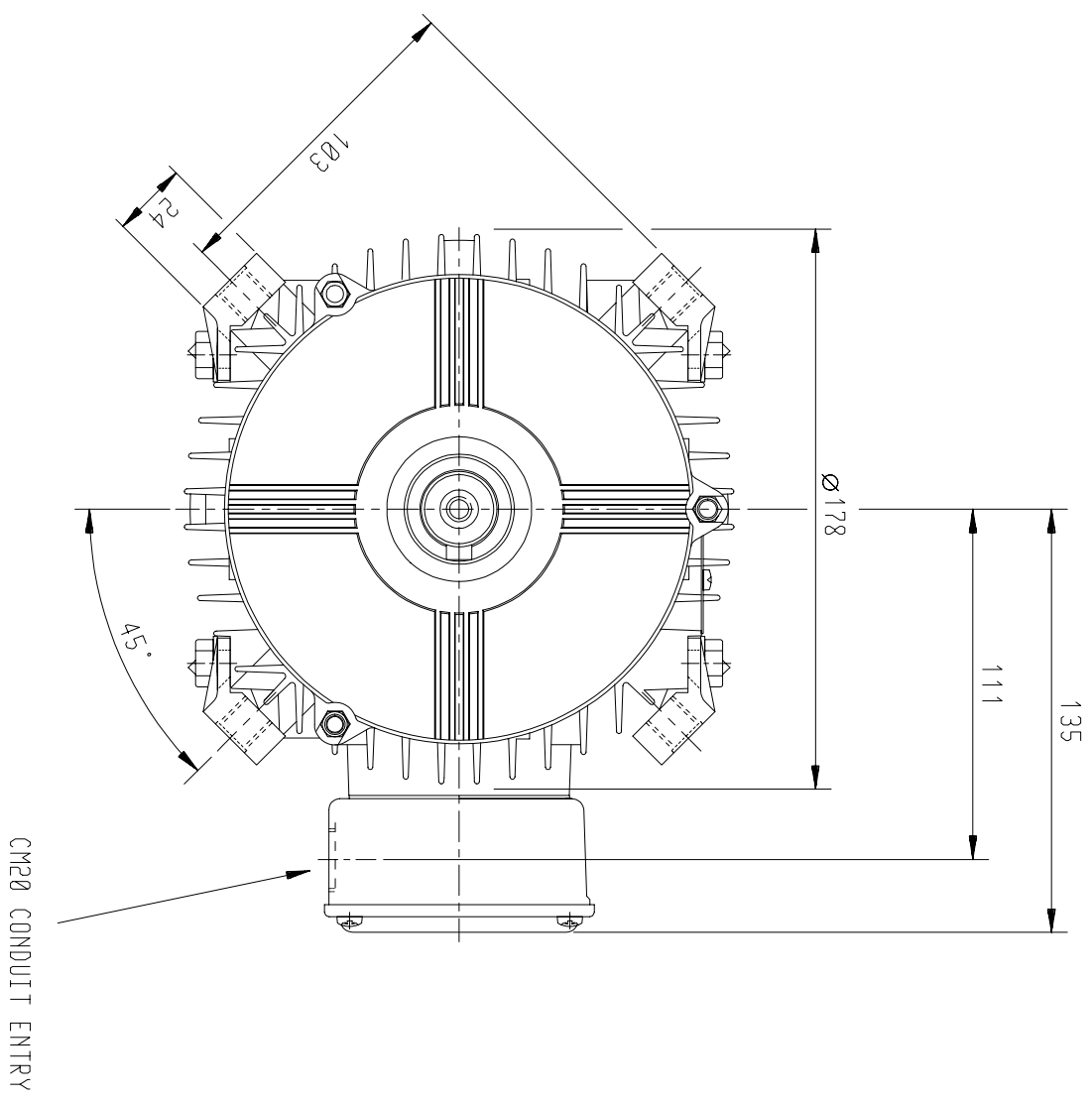
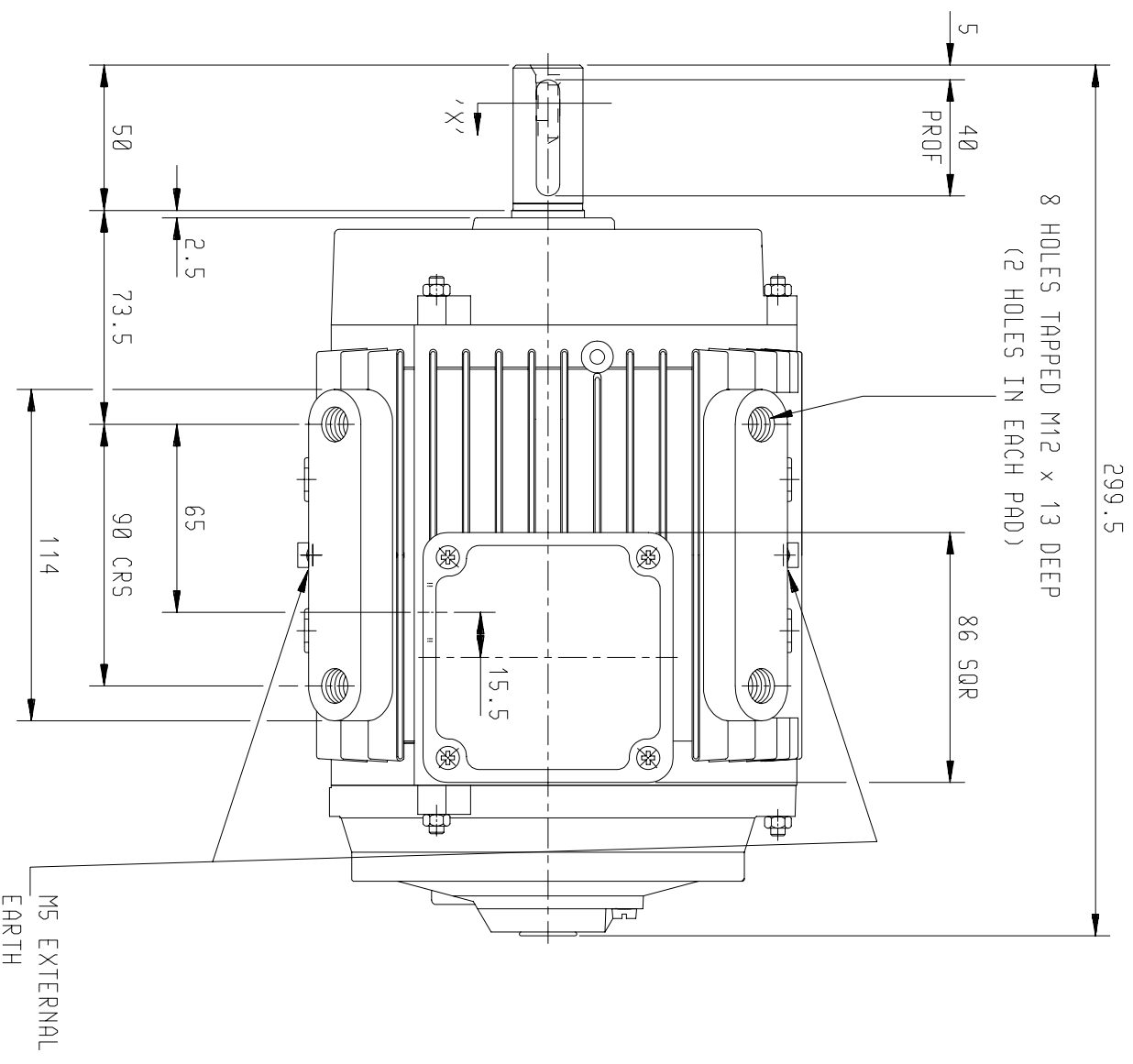
BROOK PROMPTON

Small Industrial Motors
 Huddersfield, W. Yorkshire, HD1 3LJ

SHEET TITLE
 SIZE A3
 OUTLINE DIMENSION DRAWING W ALUMINIUM TOTALLY ENCLOSED FAN COOLED
 90S/L FRAME FOOT AND 'C' FACE MOUNTED MOTOR

DRAWN	NAME	DATE
CHECKED	RS.	11/03/97
SCALE	IMT	11/03/97
		1:2.5

DRG. No.	W90GC001/2		
DRG. REF.			
REVISION:	VLS	DATE	30.04.01



SHEET SIZE
A3

TITLE
 OUTLINE DIMENSION DRAWING W ALUMINIUM TOTALLY ENCLOSED NO FAN
 90S/L FRAME PAD MOUNTED MOTOR

DRAWN	NAME	DATE
CHECKED	DRM	23-11-98
SCALE	DJR	23-11-98
		1:2.5

TERMINAL BOX POSITION:- CAN BE ARRANGED AT EITHER 9,12 OR 3 O'CLOCK.
 STANDARD TERMINAL BOX POSITION IS 3 O'CLOCK AS SHOWN.
 CONDUIT ENTRIES:- TERMINAL BOX CAN BE ROTATED AT 90° INTERVALS
 (CONDUIT ENTRY POSITION SHOWN FOR ILLUSTRATION ONLY).

ALL DIMENSIONS IN MILLIMETRES.



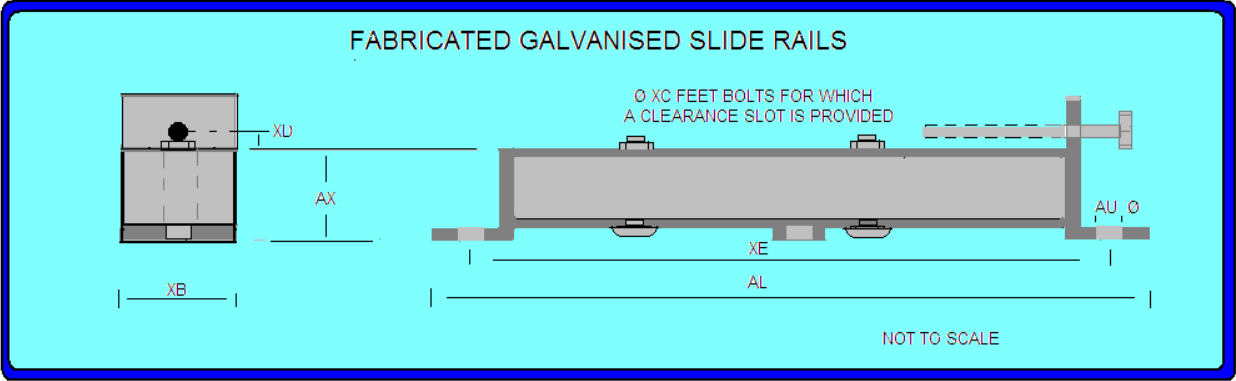
BROOK PROMPTON

Small Industrial Motors
 Huddersfield, W. Yorkshire, HD1 3LJ

DRG. No. W90GP002/1
 DRG. REF.
 REVISION: DH. DATE 10-09-02

CUSTOMER	
ORDER No.	
PART No.	
OUR ORDER No.	
FRAME SIZE	
KW.	RPM.
HZ	PHASE
VOLTS	POLES
BRGS.	DE.
MOTOR NETT WT.	NDE.
SPECIAL REMARKS	Kg.

Slide Rails



Code	AL	AU	AX	XB	XD	XE	Bolt Size	Frame Size	BT	XC Motor Foot Bolts
M0809	355	10	30	30	6	325	M10 X 150	71 80 90	90 83 67	M8 X 40

All data is subject to confirmation by BROOK-MTL

E&OE

BROOK MTL, 63 Allens Road, East Tamaki, Auckland, New Zealand

Associate companies: [Rotating Machinery Supplies](mailto:rotatingmachinery@clear.net.nz), 6 Devon Road, Hamilton. rotatingmachinery@clear.net.nz
[Soco Electric Motors](mailto:sales@soco.co.nz), 473 Tremaine Ave, Palmerston North. sales@soco.co.nz

