



**BS British Standard 1 | General Purpose | High Efficiency | Aluminium
2 pole 50Hz | 18.5(kW) | W-DA160LR**

Performance Data	
Performance Data	Value
Output (kW)	18.5
Pole	2
Full load speed (RPM)	2940
Full Load Torque (Nm)	60.1
Full load current @ 380V (A)	34
Full load current @ 400V (A)	32
Full load current @ 415V (A)	32
Efficiency Full load (%)	92.5
Efficiency 3/4 load (%)	92.5
Efficiency 3/4 load (%)	92
Power Factor Full load	0.91
Power factor 3/4 load	0.89
Power Factor 1/2 load	0.81
Direct on line starting torque ratio	2.4
Direct on line starting current ratio	8.7
Direct on line Pull out torque ratio	3.2
Direct on line Pull up torque ratio	1.9
Star Delta starting torque ratio	0.78
Star Delta starting current ratio	2.7
Start Delta Pull up torque star	0.65
Rotor inertia (kgm ²)	0.056
Mean sound pressure @1m on no load (dB(A))	68

Standard Features	
Feature	Standard Product
Frequency (Hz)	50Hz / 60Hz
Enclosure	IP55 protection
Cooling Method	IC411 TEFV (Totally Enclosed Fan Ventilated)
T-box position	Top
Lubrication	Regreasing facilities available on request
Balance	Grade N
Bearings	Ball/ball C3 clearance
Drain Holes	160 & 180 frame only
Temperature Rise	Class B (80°C)
Insulation Class	Class F (155°C)
Duty Cycle	S1 continuous rated
Earth Facility	Internal and external
Thermal Protection	Available on request

Shaft Loads	
Mounting	Shaft Load (Nm)
Horizontal shaft load towards motor	2144
Horizontal shaft load away motor	2639
Vertical shaft up, load towards motor	1951
Vertical shaft up, load away motor	2920
Vertical shaft down, load towards motor	2425
Vertical shaft down, load away motor	2446
Maximum radial load at end of shaft	3613
Bearing life (hours)	20000

Bearings and Oil Seals	
Feature	Standard Product
Drive end bearing	63092Z
Non-drive end bearing	63072Z
Drive end oil seal	45 x 60 x 8
Non drive end oil seal	35 x 47 x 7
Grease life (horizontal mounting)	29,000
Grease life (vertical mounting)	19,000

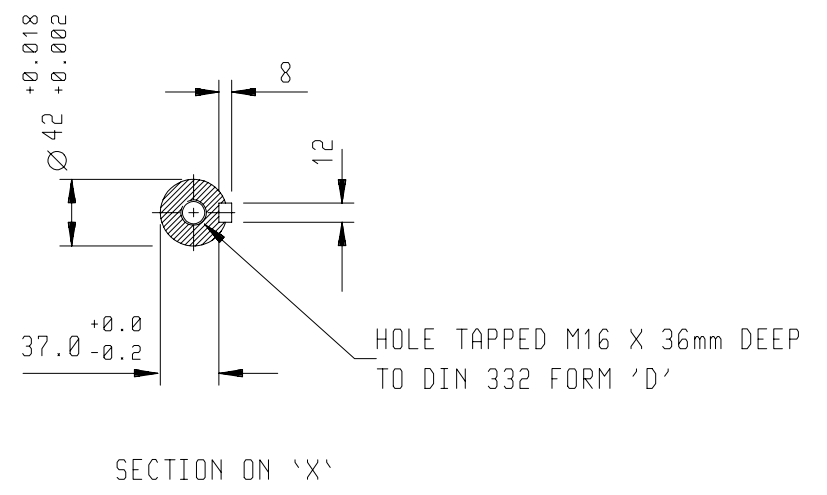
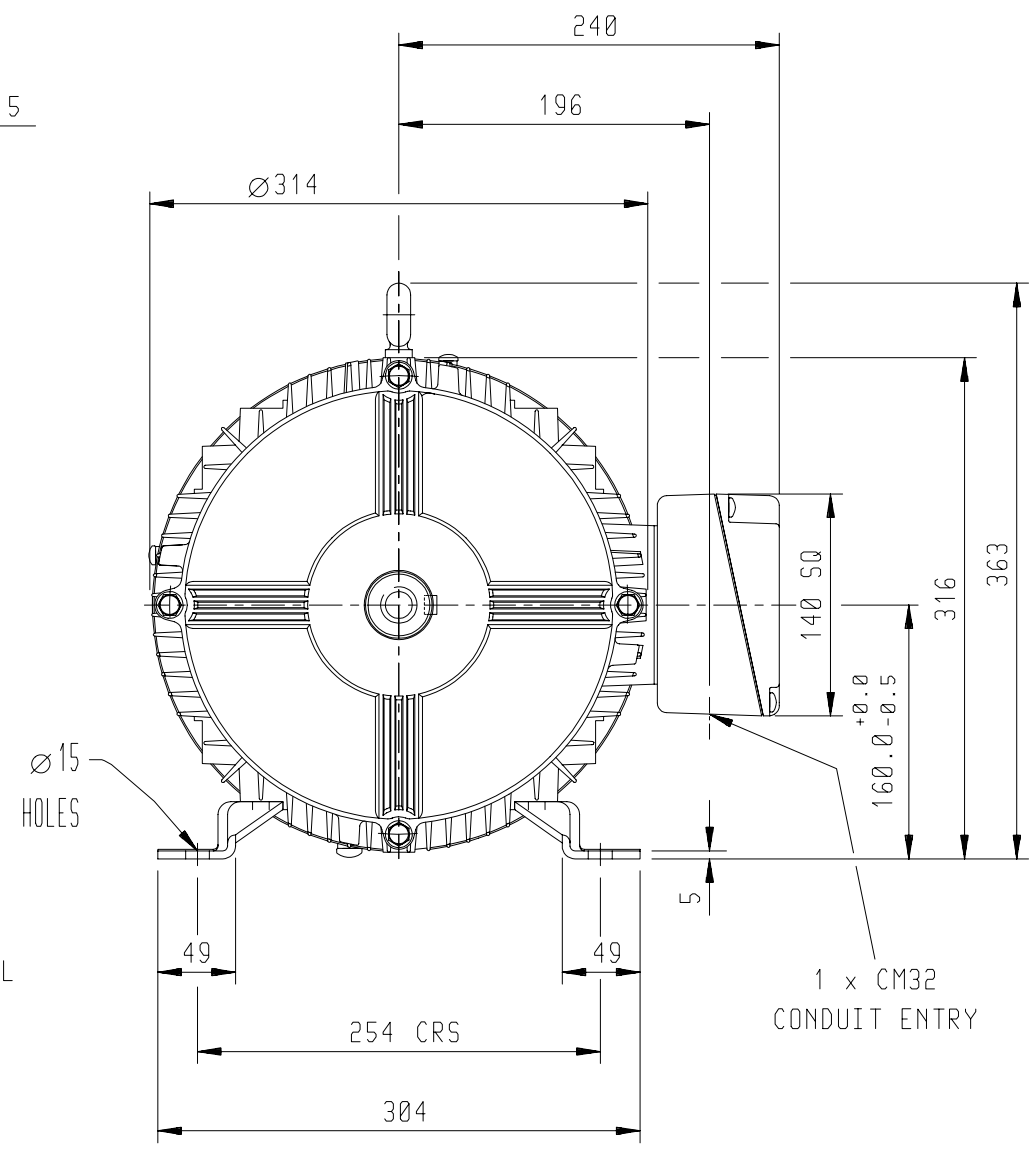
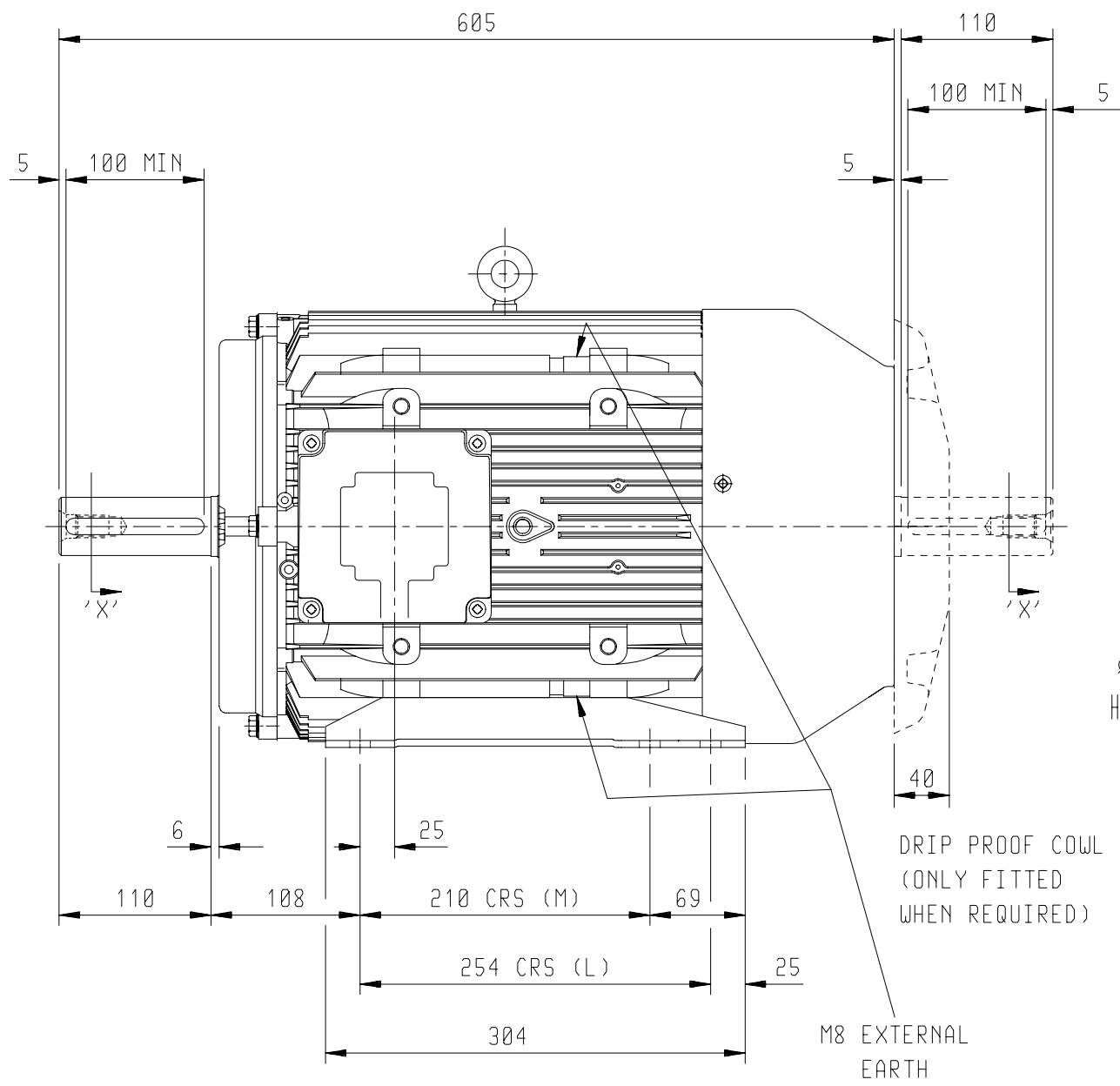
Variations to the standard specification can be supplied on request

All data is subject to confirmation by BROOK MTL

E&OE

BROOK-MTL, 63 Allens Road, East Tamaki, Auckland 2161, New Zealand
Tel +64 9 271 6063 - Fax +64 9 271 6020 www.brookmtl.co.nz - info@brookmtl.co.nz

Associate company: [Rotating Machinery Supplies](http://RotatingMachinerySupplies.com), 6 Devon Road, Hamilton 3242 rotatingmachinery@clear.net.nz
[Soco Electric Motors](http://SocoElectricMotors.com), 473 Tremaine Ave, Palmerston North 4412 sales@soco.co.nz



DRAIN HOLES:- WHEN TERMINAL BOX IS MOVED FROM STANDARD POSITION THEY WILL NEED TO BE PLUGGED AND RE-LOCATED ELSEWHERE - IF REQUIRED
 TERMINAL BOX POSITION : - CAN BE ARRANGED AT EITHER 9, 12 OR 3 O'CLOCK BY MOVING FEET. STANDARD TERMINAL BOX POSITION IS 3 O'CLOCK AS SHOWN.
 CONDUIT ENTRIES:- TERMINAL BOX CAN BE ROTATED AT 90° INTERVALS (CONDUIT ENTRY POSITION SHOWN FOR ILLUSTRATION ONLY).

CUSTOMER		
ORDER No.		
PART No.		
OUR ORDER No.		
FRAME SIZE		
KW.	RPM.	
Hz	PHASE	
VOLTS	POLES	
BRGS.	DE.	NDE.
MOTOR NETT WT.		Kg.
SPECIAL REMARKS		

ALL DIMENSIONS IN MILLIMETRES.

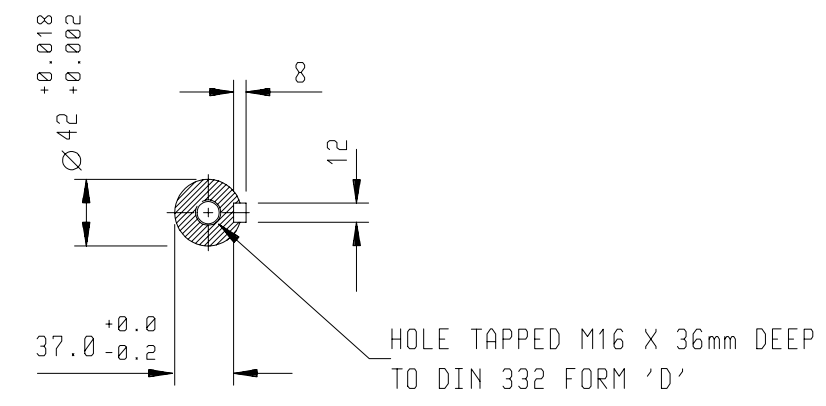
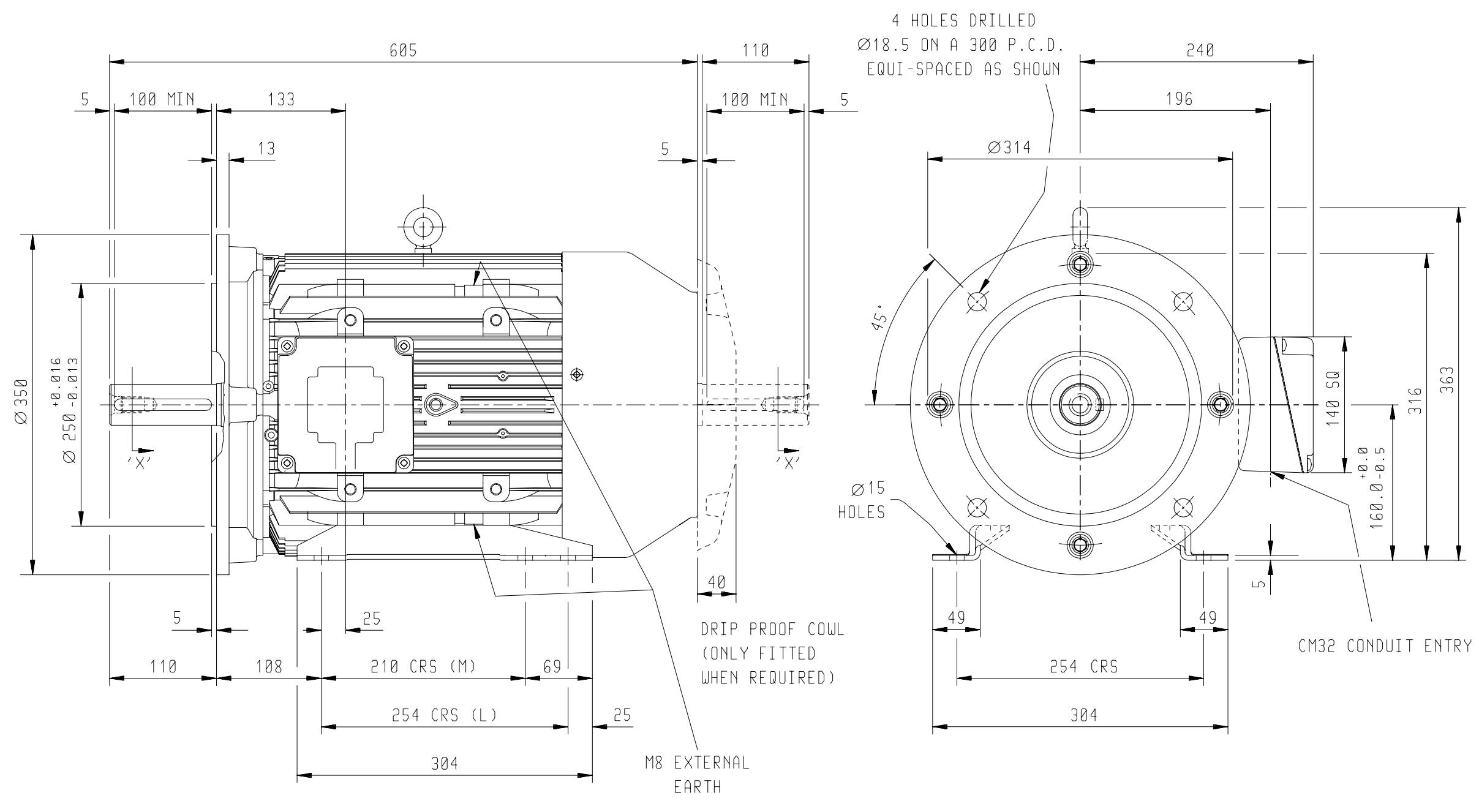
FIRST ANGLE PROJECTION

BROOK CROMPTON

Small Industrial Motors
 Huddersfield, W.Yorkshire, HD1 3LJ

SHEET SIZE A3	TITLE	OUTLINE DIMENSION DRAWING W ALUMINIUM TOTALLY ENCLOSED FAN COOLED 160M/L FRAME FOOT MOUNTED MOTOR	NAME	DATE
			DRAWN	JWD 13-03-96
			CHECKED	MI 13-03-96
			SCALE	1 : 5

DRG. No.	W29GF000/2		
DRG. REF.			
REVISION:	RR	DATE	09/05/03



DRAIN HOLES:- WHEN TERMINAL BOX IS MOVED FROM STANDARD POSITION
 THEY WILL NEED TO BE PLUGGED AND RE-LOCATED ELSEWHERE - IF REQUIRED
 TERMINAL BOX POSITION : - CAN BE ARRANGED AT EITHER 9, 12 OR 3 O'CLOCK BY MOVING FEET.
 STANDARD TERMINAL BOX POSITION IS 3 O'CLOCK AS SHOWN.
 CONDUIT ENTRIES:- TERMINAL BOX CAN BE ROTATED AT 90° INTERVALS
 (CONDUIT ENTRY POSITION SHOWN FOR ILLUSTRATION ONLY).

CUSTOMER		
ORDER No.		
PART No.		
OUR ORDER No.		
FRAME SIZE		
KW.	RPM.	
Hz	PHASE	
VOLTS	POLES	
BRGS.	DE.	NDE.
MOTOR NETT WT.		Kg.
SPECIAL REMARKS		

ALL DIMENSIONS IN MILLIMETRES.

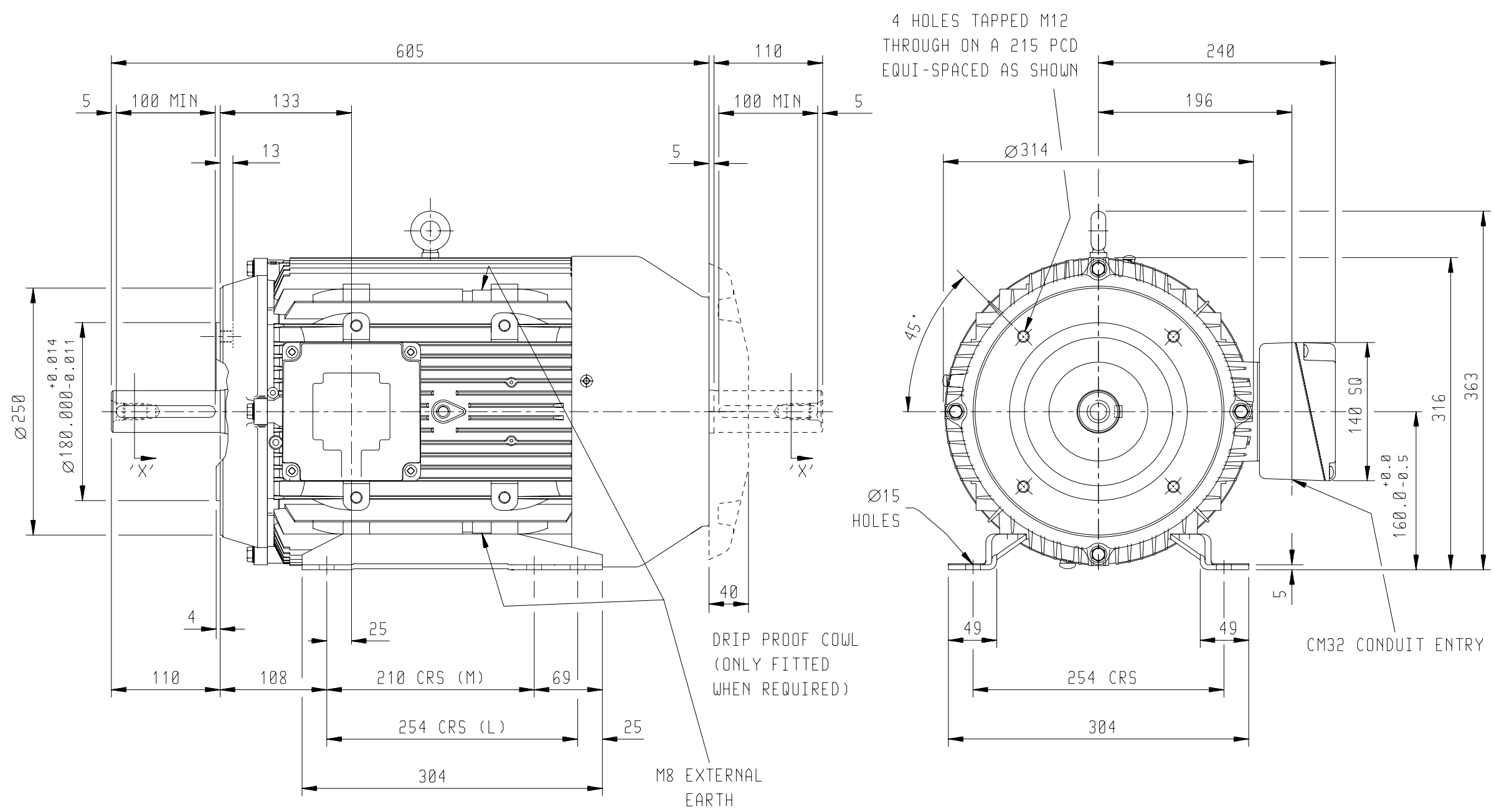
FIRST ANGLE
 PROJECTION

**BROOK
 CROMPTON**

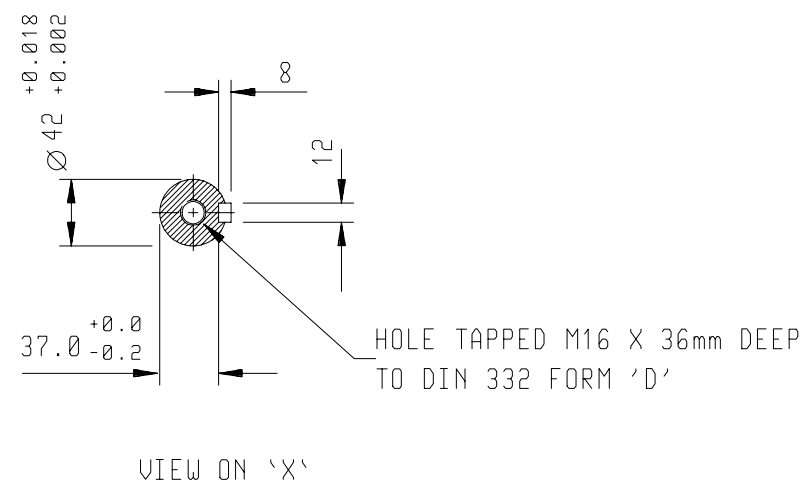
Small Industrial Motors
 Huddersfield, W.Yorkshire, HD1 3LJ

SHEET SIZE A3	TITLE	NAME	DATE
	OUTLINE DIMENSION DRAWING W ALUMINIUM TOTALLY ENCLOSED FAN COOLED 160M/L FRAME FOOT AND 'D' FLANGE MOUNTED MOTOR	MI	22-11-95
		JWD	22-11-95
		1 : 5	

DRG. No.	W29GD000/3		
DRG. REF.			
REVISION:	RR	DATE	13/05/03



CUSTOMER		
ORDER No.		
PART No.		
OUR ORDER No.		
FRAME SIZE		
KW.	RPM.	
Hz	PHASE	
VOLTS	POLES	
BRGS.	DE.	NDE.
MOTOR NETT WT.	Kg.	
SPECIAL REMARKS		



DRAIN HOLES:- WHEN TERMINAL BOX IS MOVED FROM STANDARD POSITION THEY WILL NEED TO BE PLUGGED AND RE-LOCATED ELSEWHERE - IF REQUIRED CARE SHOULD BE TAKEN TO ENSURE THAT THE SCREWS OR STUDS DO NOT EXTEND INSIDE THE MOTOR BEYOND THE DEPTH OF THE TAPPED FIXING HOLE.

TERMINAL BOX POSITION:- CAN BE ARRANGED AT EITHER 9,12 OR 3 O'CLOCK BY MOVING FEET. STANDARD TERMINAL BOX POSITION IS 3 O'CLOCK AS SHOWN.

CONDUIT ENTRIES:- TERMINAL BOX CAN BE ROTATED AT 90° INTERVALS (CONDUIT ENTRY POSITION SHOWN FOR ILLUSTRATION ONLY).

ALL DIMENSIONS IN MILLIMETRES.

FIRST ANGLE PROJECTION

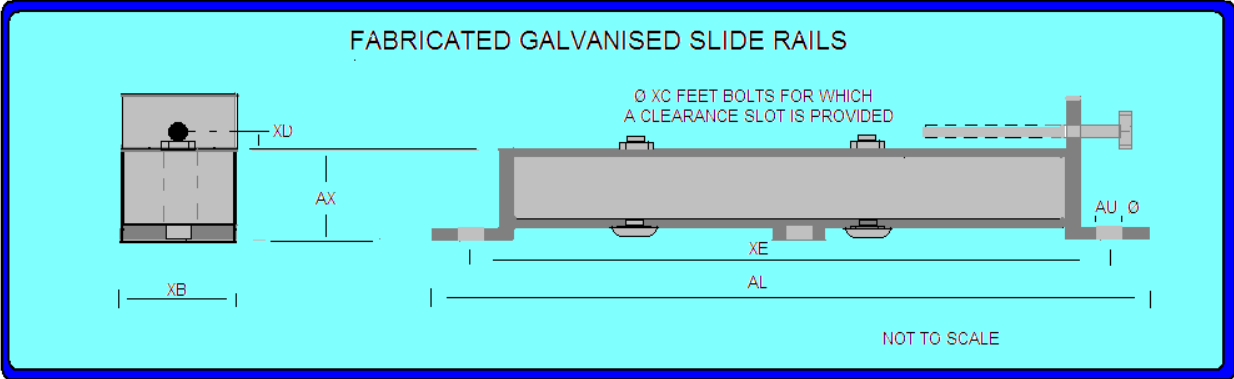
BROOK CROMPTON

Small Industrial Motors
 Huddersfield, W.Yorkshire, HD1 3LJ

SHEET SIZE A3	TITLE	NAME	DATE
	OUTLINE DIMENSION DRAWING W ALUMINIUM TOTALLY ENCLOSED FAN COOLED 160M/L FRAME FOOT AND 'C' FACE MOUNTED MOTOR	MI	22-10-95
		JWD	22-10-95
		1 : 5	

DRG. No.	W29GC000/3		
DRG. REF.			
REVISION:	VLS	DATE	16/05/03

Slide Rails



Code	AL	AU	AX	XB	XD	XE	Bolt Size	Frame Size	BT	XC Motor Foot Bolts
M1618	615	15	64	57	10	565	M12 X 220	160 180	160 125	M12 X 80

All data is subject to confirmation by BROOK-MTL

E&OE

BROOK MTL, 63 Allens Road, East Tamaki, Auckland, New Zealand

Associate companies: [Rotating Machinery Supplies](mailto:rotatingmachinery@clear.net.nz), 6 Devon Road, Hamilton. rotatingmachinery@clear.net.nz
[Soco Electric Motors](mailto:sales@soco.co.nz), 473 Tremaine Ave, Palmerston North. sales@soco.co.nz

