



**BS British Standard 1 | General Purpose | High Efficiency | Aluminium  
6 pole 50Hz | 2.2(kW) | W-DA112MS**

Performance Data	
Performance Data	Value
Output (kW)	2.2
Pole	6
Full load speed (RPM)	950
Full Load Torque (Nm)	22.1
Full load current @ 380V (A)	5.8
Full load current @ 400V (A)	5.5
Full load current @ 415V (A)	5.5
Efficiency Full load (%)	82.5
Efficiency 3/4 load (%)	82.5
Efficiency 1/2 load (%)	80.5
Power Factor Full load	0.7
Power factor 3/4 load	0.6
Power Factor 1/2 load	0.47
Direct on line starting torque ratio	2.8
Direct on line starting current ratio	5.8
Direct on line Pull out torque ratio	2.8
Direct on line Pull up torque ratio	2.3
Rotor inertia (kgm <sup>2</sup> )	0.014
Mean sound pressure @1m on no load (dB(A))	54

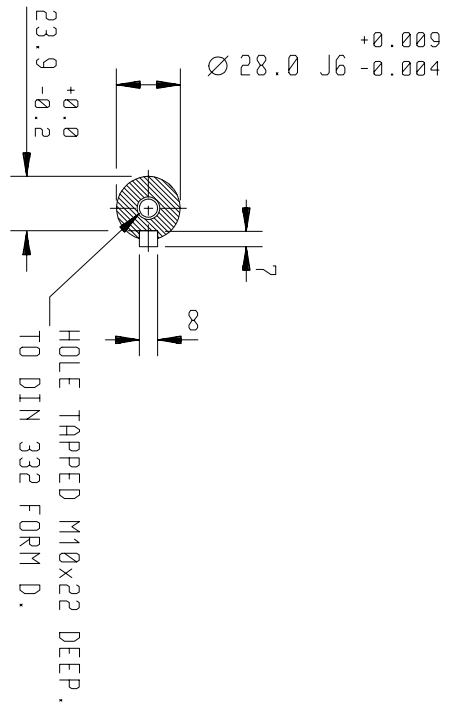
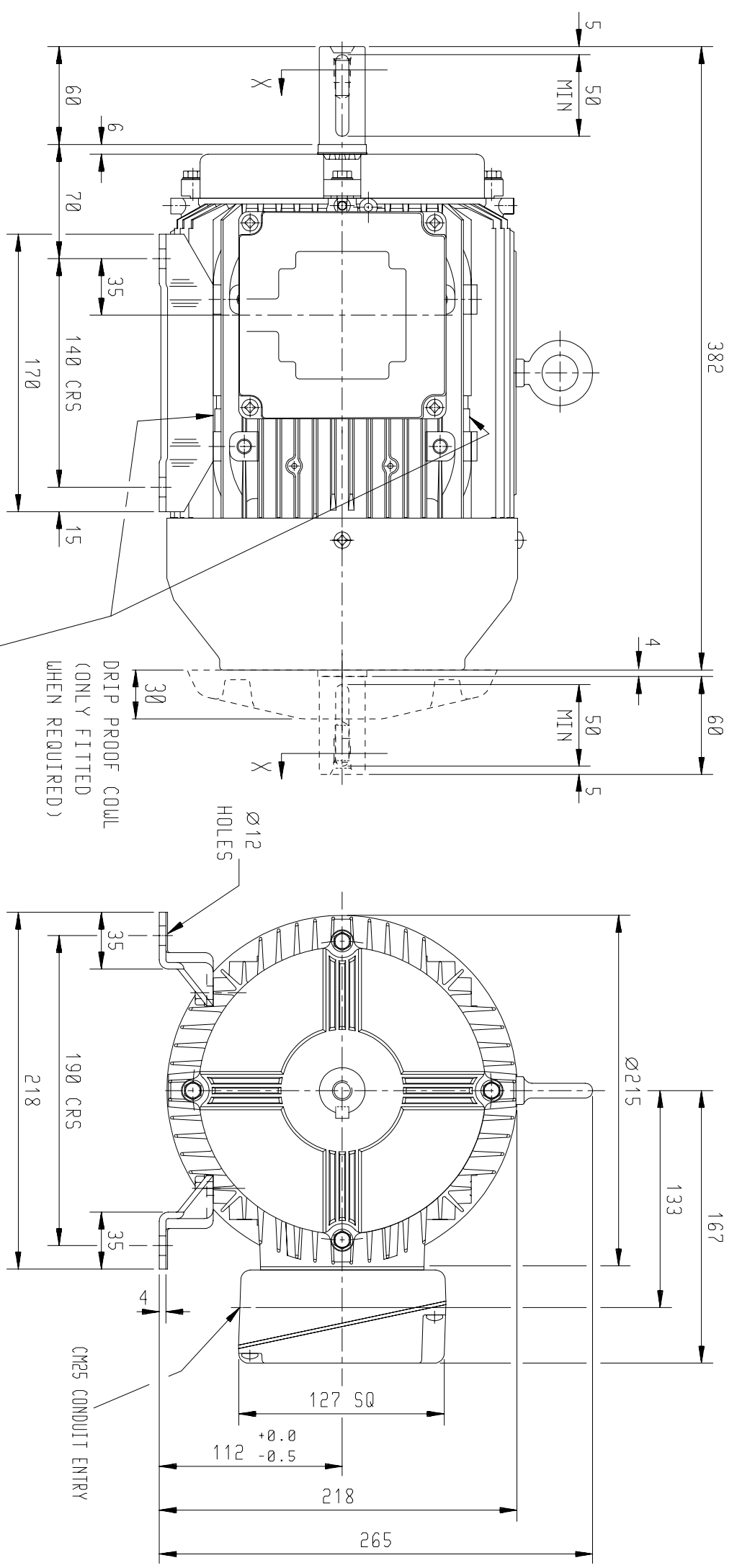
Standard Features	
Feature	Standard Product
Frequency (Hz)	50Hz / 60Hz
Enclosure	IP55 protection
Cooling Method	IC411 TEFV (Totally Enclosed Fan Ventilated)
T-box position	Top
Lubrication	Regreasing facilities available on request
Balance	Grade N
Bearings	Ball/ball C3 clearance
Drain Holes	160 & 180 frame only
Temperature Rise	Class B (80°C)
Insulation Class	Class F (155°C)
Duty Cycle	S1 continuous rated
Earth Facility	Internal and external
Thermal Protection	Available on request

Shaft Loads	
Mounting	Shaft Load (Nm)
Horizontal shaft load towards motor	541
Horizontal shaft load away motor	861
Vertical shaft up, load towards motor	463
Vertical shaft up, load away motor	979
Vertical shaft down, load towards motor	659
Vertical shaft down, load away motor	783
Maximum radial load at end of shaft	1141
Bearing life (hours)	20000

Bearings and Oil Seals	
Feature	Standard Product
Drive end bearing	62062Z
Non-drive end bearing	62052Z
Drive end oil seal	30 x 42 x 7
Non drive end oil seal	25 x 37 x 7
Grease life (horizontal mounting)	30,000
Grease life (vertical mounting)	30,000

Variations to the standard specification can be supplied on request

CUSTOMER	
ORDER No.	
PART No.	
FRAME SIZE	
KW.	RPM.
HZ	PHASE
VOLTS	POLES
BRGS.	DE.
MOTOR NETT WT.	NDE.
SPECIAL REMARKS	Kg.



TERMINAL BOX POSITION:- CAN BE ARRANGED AT EITHER 9,12 OR 3 O'CLOCK BY MOVING FEET.  
 STANDARD TERMINAL BOX POSITION IS 3 O'CLOCK AS SHOWN.  
 CONDUIT ENTRIES:- TERMINAL BOX CAN BE ROTATED AT 90° INTERVALS  
 (CONDUIT ENTRY POSITION SHOWN FOR ILLUSTRATION ONLY).

TITLE  
 OUTLINE DIMENSION DRAWING W ALUMINIUM TOTALLY ENCLOSED FAN COOLED  
 112M FRAME FOOT MOUNTED MOTOR

SHEET SIZE  
**A3**

DRAWN	NAME	DATE
CHECKED	MI	14-03-94
SCALE	JWD	14-03-94
		1:3.5

ALL DIMENSIONS IN MILLIMETRES.

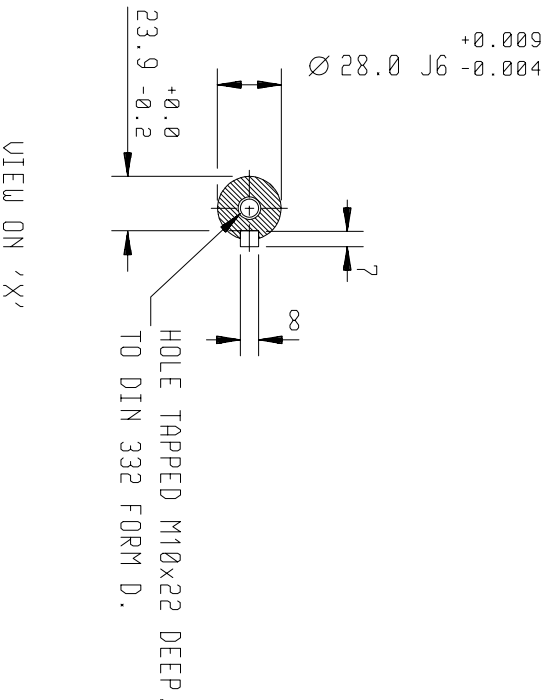
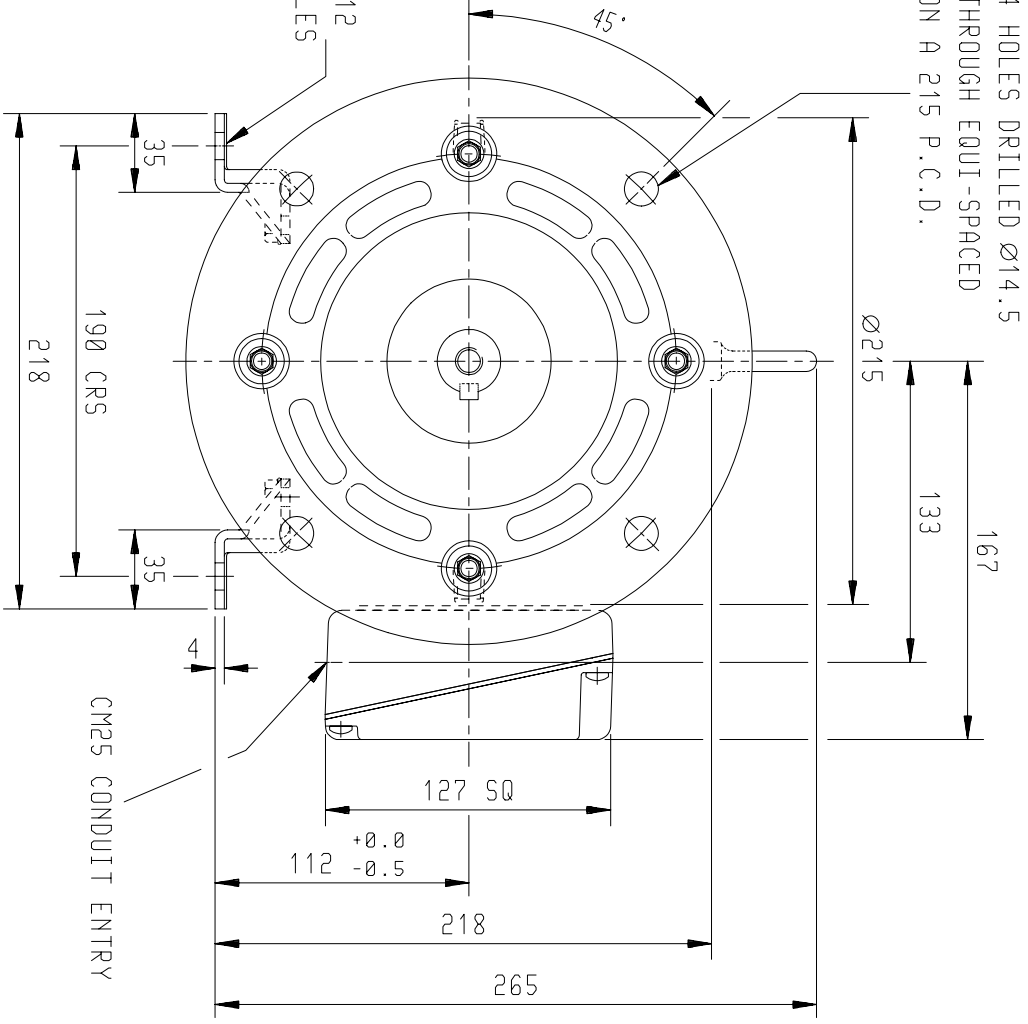
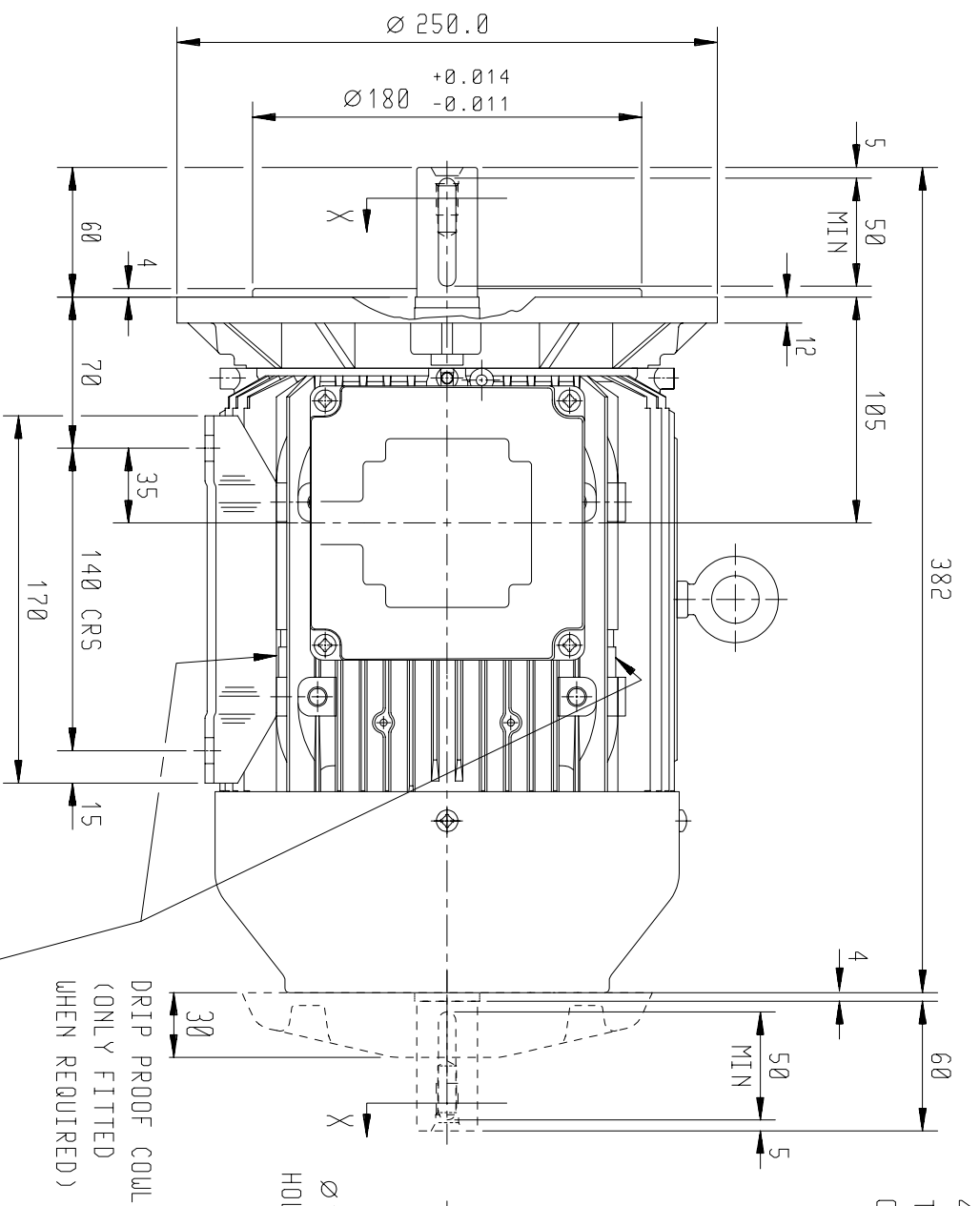
FIRST ANGLE PROJECTION

**BROOK PROMPTON**

Small Industrial Motors  
 Huddersfield, W. Yorkshire, HD1 3LJ

DRG. No. W12GF000/3  
 DRG. REF.

REVISION: RR DATE 28/05/03



TERMINAL BOX POSITION:- CAN BE ARRANGED AT EITHER 9,12 OR 3 O'CLOCK BY MOVING FEET.  
 STANDARD TERMINAL BOX POSITION IS 3 O'CLOCK AS SHOWN.  
 CONDUIT ENTRIES:- TERMINAL BOX CAN BE ROTATED AT 90° INTERVALS  
 (CONDUIT ENTRY POSITION SHOWN FOR ILLUSTRATION ONLY).

VIEW ON 'X'

SHEET TITLE  
 SIZE OUTLINE DIMENSION DRAWING W ALUMINIUM TOTALLY ENCLOSED FAN COOLED  
 A3 112M FRAME FOOT AND 'D' FLANGE MOUNTED MOTOR

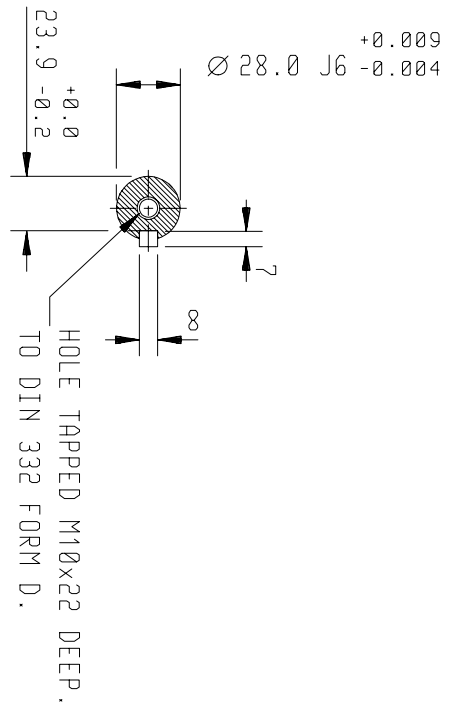
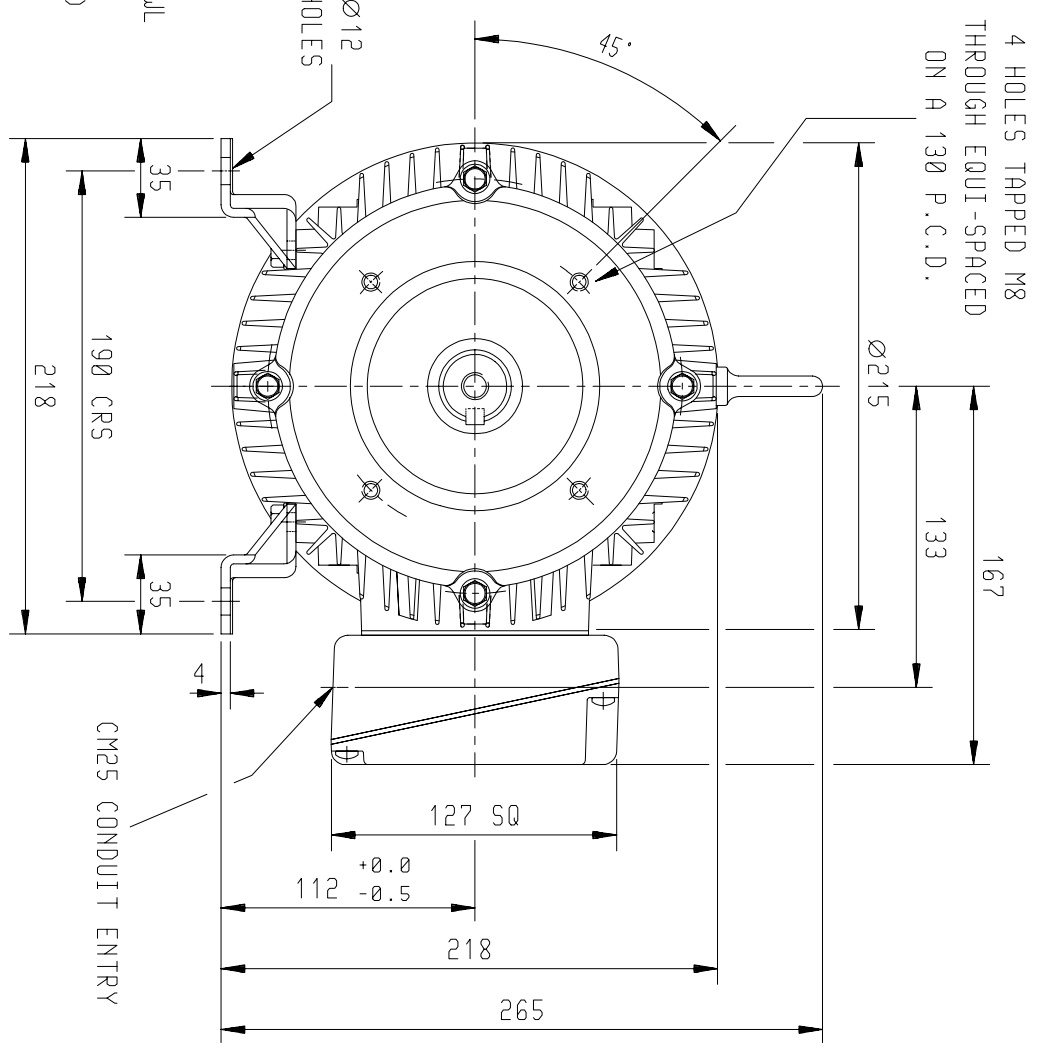
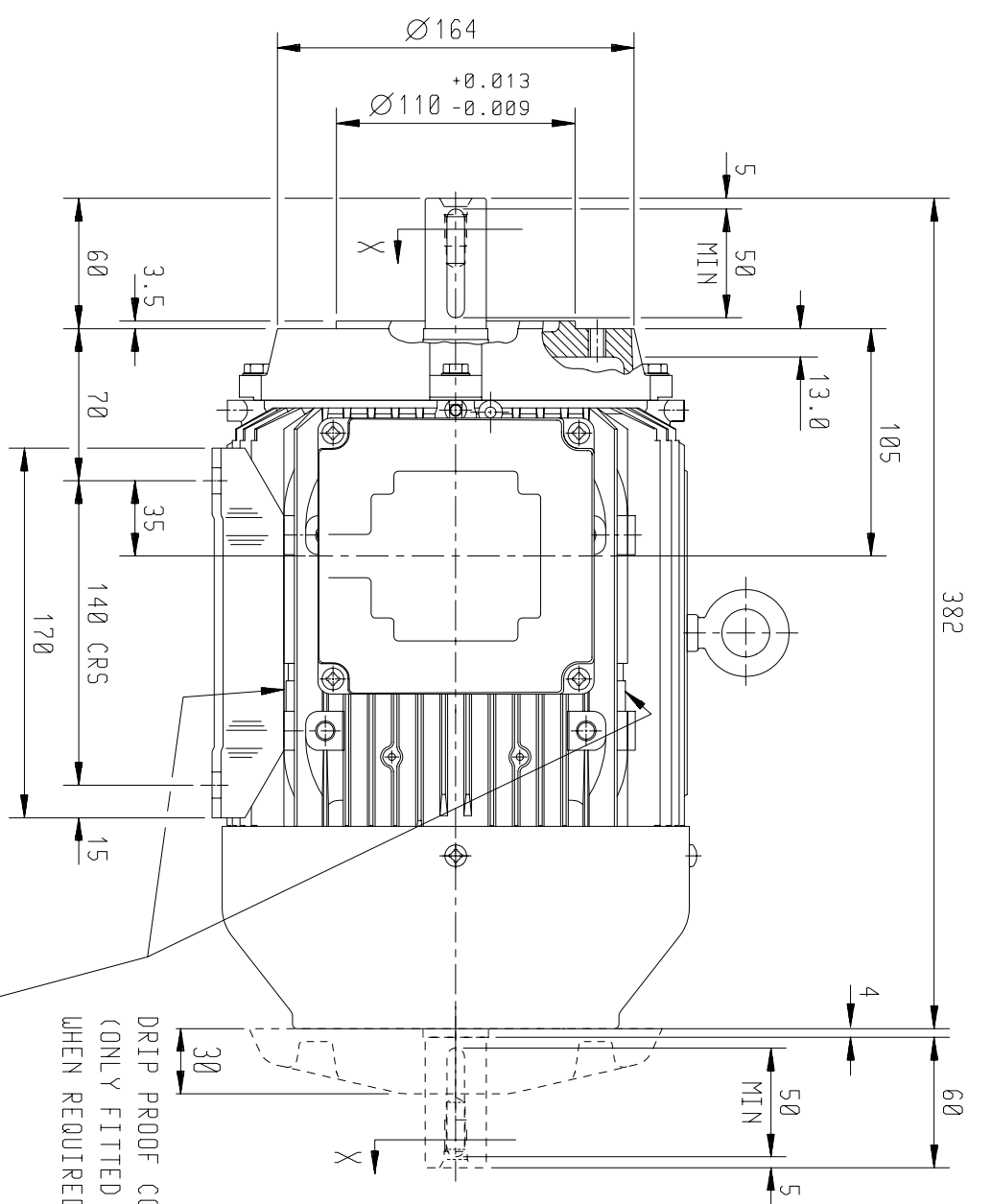
DRAWN	NAME	DATE
MI	MI	20-09-94
CHECKED	NAME	DATE
JWD	JWD	20-09-94
SCALE	1:3.5	

CUSTOMER	
ORDER No.	
PART No.	
FRAME SIZE	
KW.	RPM.
HZ	PHASE
VOLTS	POLES
BRGS.	DE.
MOTOR NETT WT.	NDE.
SPECIAL REMARKS	Kg.

ALL DIMENSIONS IN MILLIMETRES.  
 FIRST ANGLE PROJECTION

**BROOK PROMPTON**  
 Small Industrial Motors  
 Huddersfield, W. Yorkshire, HD1 3LJ

DRG. No.	W12GD000/4
DRG. REF.	
REVISION:	RR DATE 30/05/03



VIEW ON 'X'

SHEET SIZE  
**A3**

TITLE  
 OUTLINE DIMENSION DRAWING W ALUMINIUM TOTALLY ENCLOSED FAN COOLED  
 112M FRAME FOOT AND 'C' FACE MOUNTED MOTOR

DRAWN	MI	20-09-94
CHECKED	JWD	20-09-94
SCALE		1:3.5

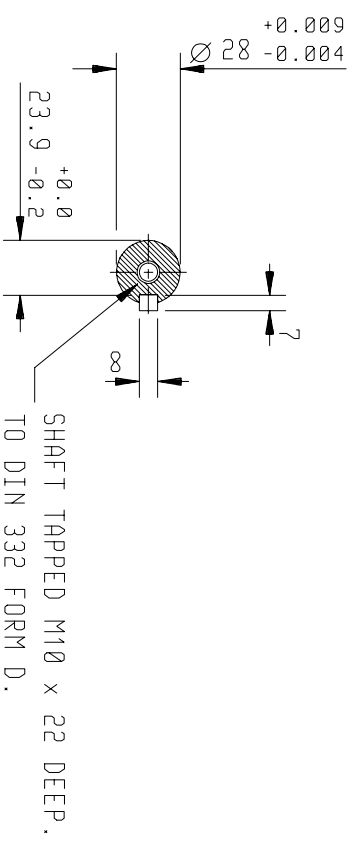
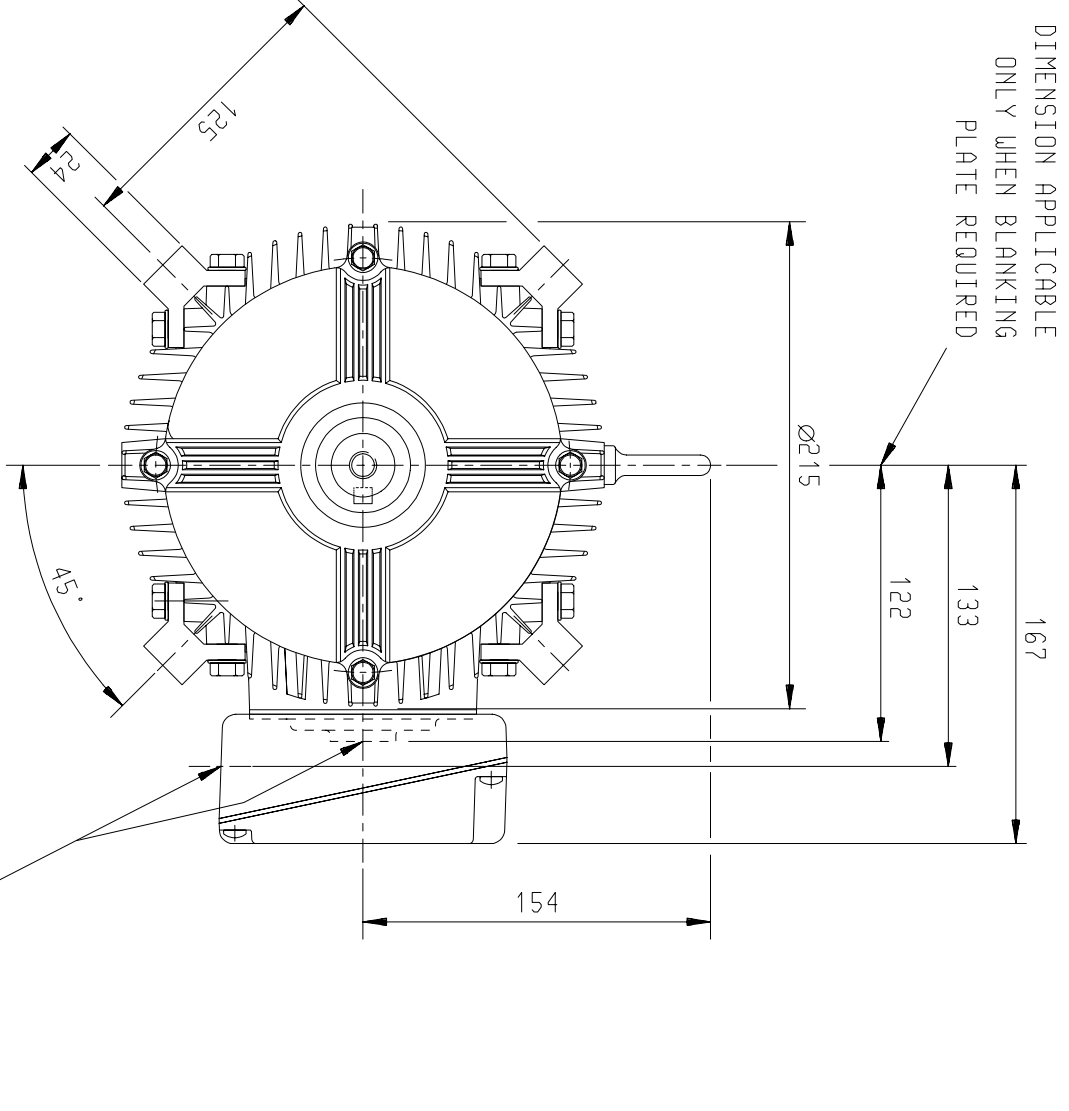
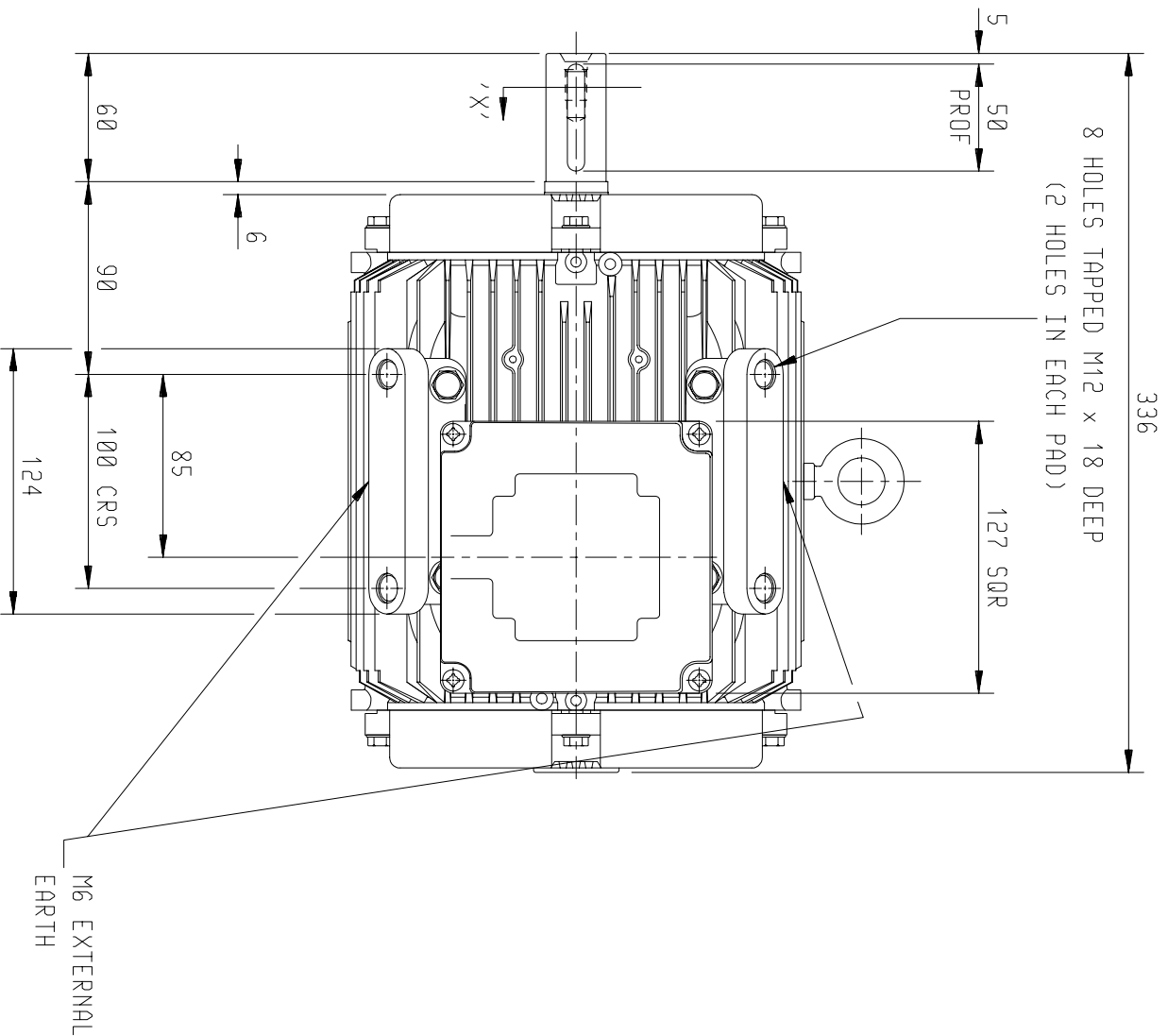
DRG. No.	W12GC000/4
DRG. REF.	
REVISION:	RR DATE 04/06/03

CARE SHOULD BE TAKEN TO ENSURE THAT THE SCREWS OR STUDS DO NOT EXTEND INSIDE THE MOTOR BEYOND THE DEPTH OF THE TAPPED FIXING HOLE.  
 TERMINAL BOX POSITION:- CAN BE ARRANGED AT EITHER 9,12 OR 3 O'CLOCK BY MOVING FEET. STANDARD TERMINAL BOX POSITION IS 3 O'CLOCK AS SHOWN.  
 CONDUIT ENTRIES:- TERMINAL BOX CAN BE ROTATED AT 90° INTERVALS (CONDUIT ENTRY POSITION SHOWN FOR ILLUSTRATION ONLY).

CUSTOMER	
ORDER No.	
PART No.	
FRAME SIZE	
KW.	RPM.
HZ	PHASE
VOLTS	POLES
BRGS.	DE.
MOTOR NETT WT.	NDE.
SPECIAL REMARKS	Kg.

ALL DIMENSIONS IN MILLIMETRES.  
 FIRST ANGLE PROJECTION

**BROOK PROMPTON**  
 Small Industrial Motors  
 Huddersfield, W. Yorkshire, HD1 3LJ



VIEW ON 'X'

SHAFT TAPPED M10 x 22 DEEP.  
 TO DIN 332 FORM D.

DIMENSION APPLICABLE  
 ONLY WHEN BLANKING  
 PLATE REQUIRED

TERMINAL BOX POSITION:- CAN BE ARRANGED AT EITHER 9, 12 OR 3 O'CLOCK.  
 STANDARD TERMINAL BOX POSITION IS 3 O'CLOCK AS SHOWN.  
 CONDUIT ENTRIES:- TERMINAL BOX CAN BE ROTATED AT 90° INTERVALS  
 (CONDUIT ENTRY POSITION SHOWN FOR ILLUSTRATION ONLY).

OUTLINE DIMENSION DRAWING W ALUMINIUM TOTALLY ENCLOSED NO FAN

112M FRAME PAD MOUNTED MOTOR

CUSTOMER	
ORDER No.	
PART No.	
OUR ORDER No.	
FRAME SIZE	
KW.	RPM.
HZ	PHASE
VOLTS	POLES
BRGS.	DE.
MOTOR NETT WT.	Kg.
SPECIAL REMARKS	

ALL DIMENSIONS IN MILLIMETRES.



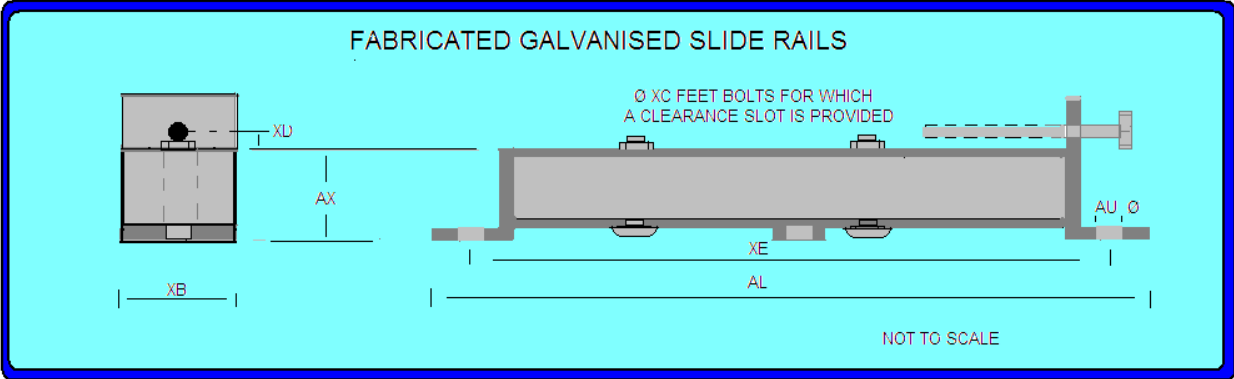
**BROOK**  
**PROMPTON**

Small Industrial Motors  
 Huddersfield, W. Yorkshire, HD1 3LJ

DRAWN	NAME	DATE
CHECKED	MI	20-09-94
SCALE	JWD	20-09-94
		1:3.5

DRG. No.	W12GP000/3
DRG. REF.	
REVISION:	RR DATE 06/06/03

# Slide Rails



Code	AL	AU	AX	XB	XD	XE	Bolt Size	Frame Size	BT	XC Motor Foot Bolts
<b>M1013</b>	470	12	44	45	6	430	M10 X 200	100	171	M10 X 60
								112	137	
								132	106	

All data is subject to confirmation by BROOK-MTL

E&OE

BROOK MTL, 63 Allens Road, East Tamaki, Auckland, New Zealand

Associate companies: [Rotating Machinery Supplies](mailto:rotatingmachinery@clear.net.nz), 6 Devon Road, Hamilton. [rotatingmachinery@clear.net.nz](mailto:rotatingmachinery@clear.net.nz)  
[Soco Electric Motors](mailto:sales@soco.co.nz), 473 Tremaine Ave, Palmerston North. [sales@soco.co.nz](mailto:sales@soco.co.nz)

