



**BS British Standard 1 | General Purpose | High Efficiency | Aluminium  
2 pole 50Hz | 22(kW) | W-DA180ME**

Performance Data	
Performance Data	Value
Output (kW)	22
Pole	2
Full load speed (RPM)	2950
Full Load Torque (Nm)	71.2
Full load current @ 380V (A)	39
Full load current @ 400V (A)	37
Full load current @ 415V (A)	37
Efficiency Full load (%)	93
Efficiency 3/4 load (%)	93
Efficiency 3/4 load (%)	92.5
Power Factor Full load	0.92
Power Factor 3/4 load	0.9
Power Factor 1/2 load	0.84
Direct on line starting torque ratio	2.2
Direct on line starting current ratio	9
Direct on line Pull out torque ratio	3.1
Direct on line Pull up torque ratio	1.9
Star Delta starting torque ratio	0.65
Star Delta starting current ratio	2.8
Start Delta Pull up torque star	0.6
Rotor inertia (kgm <sup>2</sup> )	0.094
Mean sound pressure @1m on no load (dB(A))	68

Standard Features	
Feature	Standard Product
Frequency (Hz)	50Hz / 60Hz
Enclosure	IP55 protection
Cooling Method	IC411 TEFV (Totally Enclosed Fan Ventilated)
T-box position	Top
Lubrication	Regreasing facilities available on request
Balance	Grade N
Bearings	Ball/ball C3 clearance
Drain Holes	160 & 180 frame only
Temperature Rise	Class B (80°C)
Insulation Class	Class F (155°C)
Duty Cycle	S1 continuous rated
Earth Facility	Internal and external
Thermal Protection	Available on request

Shaft Loads	
Mounting	Shaft Load (Nm)
Horizontal shaft load towards motor	2711
Horizontal shaft load away motor	3274
Vertical shaft up, load towards motor	2465
Vertical shaft up, load away motor	3667
Vertical shaft down, load towards motor	3104
Vertical shaft down, load away motor	3027
Maximum radial load at end of shaft	4374
Bearing life (hours)	20000

Bearings and Oil Seals	
Feature	Standard Product
Drive end bearing	63102Z
Non-drive end bearing	63082Z
Drive end oil seal	50 x 65 x 8
Non drive end oil seal	40 x 52 x 7
Grease life (horizontal mounting)	24,000
Grease life (vertical mounting)	16,000

Variations to the standard specification can be supplied on request

All data is subject to confirmation by BROOK MTL

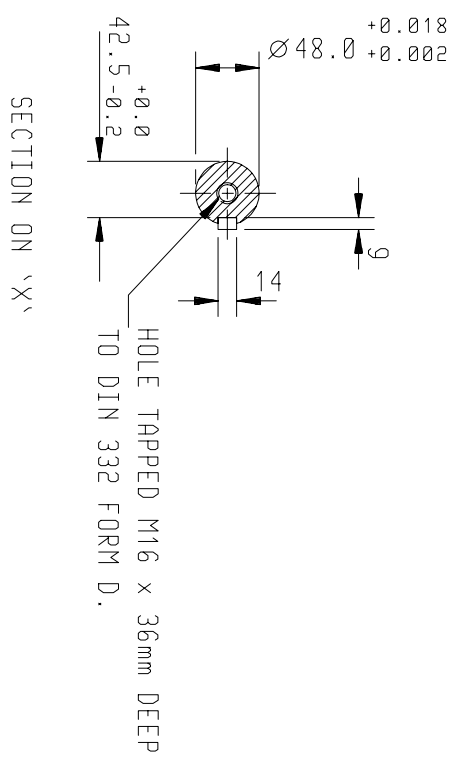
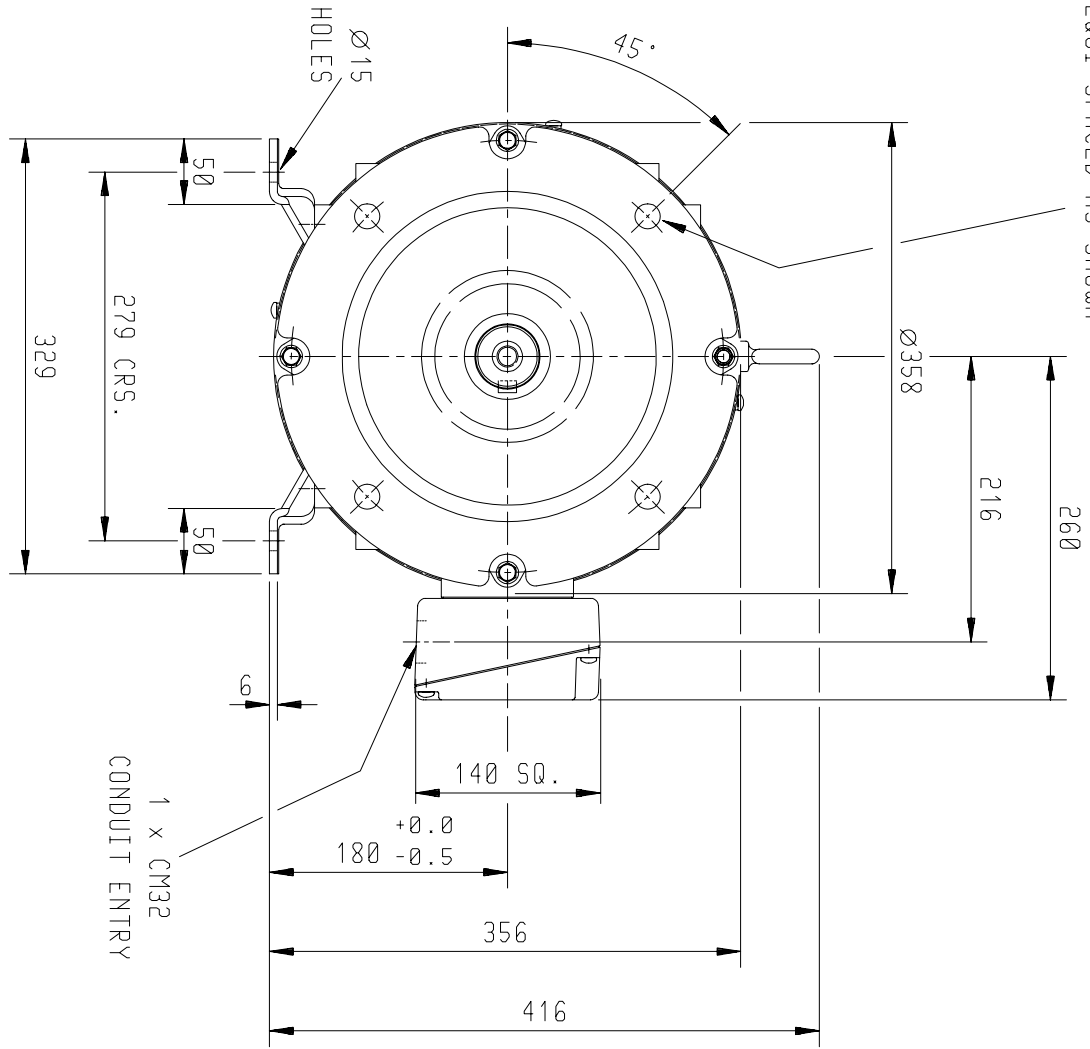
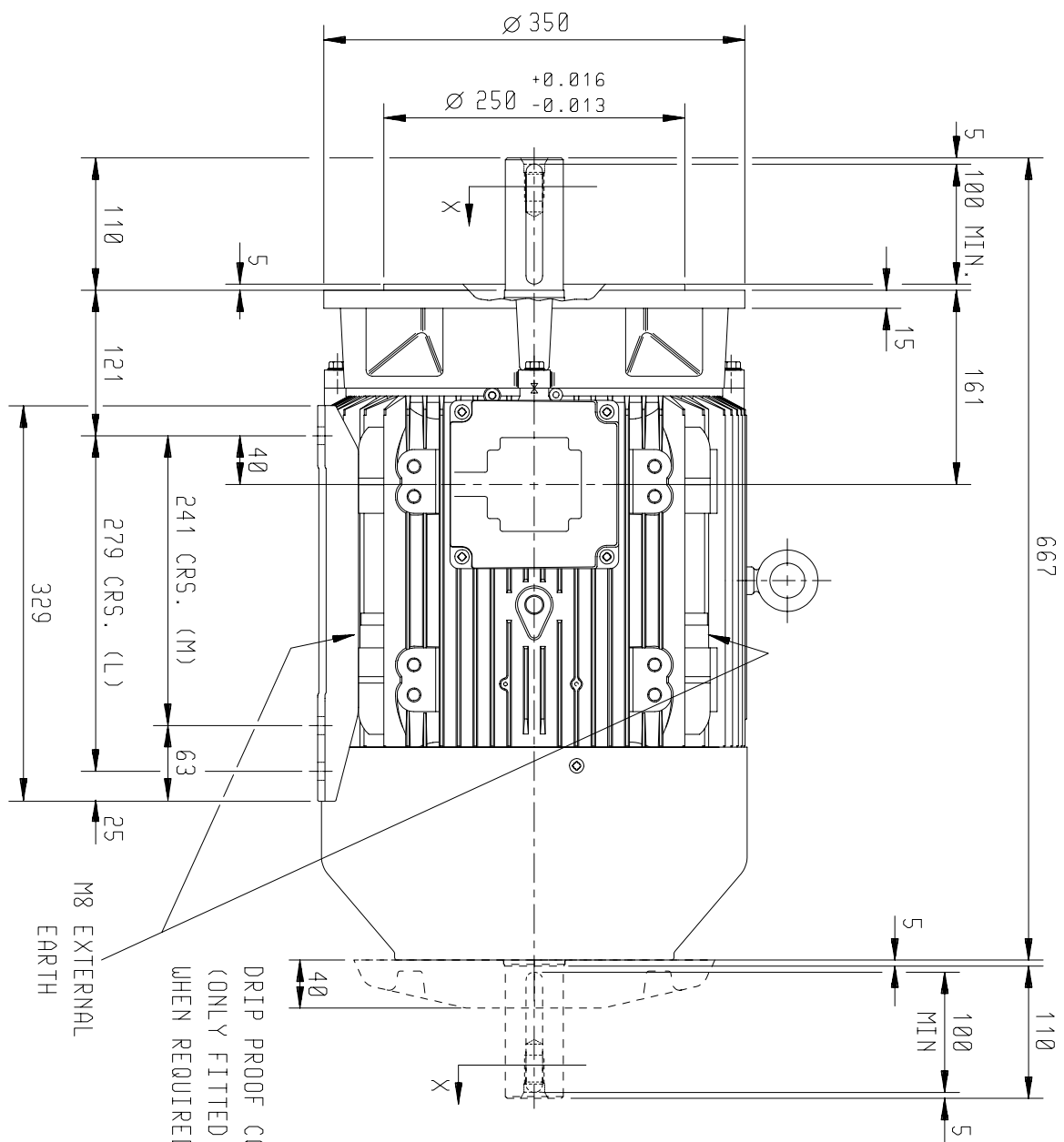
E&OE

**BROOK-MTL**, 63 Allens Road, East Tamaki, Auckland 2161, New Zealand  
Tel +64 9 271 6063 - Fax +64 9 271 6020 www.brookmtl.co.nz - [info@brookmtl.co.nz](mailto:info@brookmtl.co.nz)

Associate company: [Rotating Machinery Supplies](http://RotatingMachinerySupplies.com), 6 Devon Road, Hamilton 3242 [rotatingmachinery@clear.net.nz](mailto:rotatingmachinery@clear.net.nz)  
[Soco Electric Motors](http://SocoElectricMotors.com), 473 Tremaine Ave, Palmerston North 4412 [sales@soco.co.nz](mailto:sales@soco.co.nz)



4 HOLES DRILLED Ø18.5  
 ON A 300 P.C.D.  
 EQUI-SPACED AS SHOWN



DRAIN HOLES:- WHEN TERMINAL BOX IS MOVED FROM STANDARD POSITION THEY WILL NEED TO BE PLUGGED AND RE-LOCATED ELSEWHERE - IF REQUIRED  
 TERMINAL BOX POSITION : - CAN BE ARRANGED AT EITHER 9, 12 OR 3 O'CLOCK BY MOVING FEET.  
 STANDARD TERMINAL BOX POSITION IS 3 O'CLOCK AS SHOWN.

CONDUIT ENTRIES:- TERMINAL BOX CAN BE ROTATED AT 90° INTERVALS (CONDUIT ENTRY POSITION SHOWN FOR ILLUSTRATION ONLY).

SHEET TITLE  
 SIZE A3  
 OUTLINE DIMENSION DRAWING W ALUMINIUM TOTALLY ENCLOSED FAN COOLED  
 180M/L FRAME FOOT & 'D' FLANGE MOUNTED MOTOR

DRAWN	NAME	DATE
CHECKED	MI	23-11-95
SCALE	JWD	23-11-95
	1 : 6	

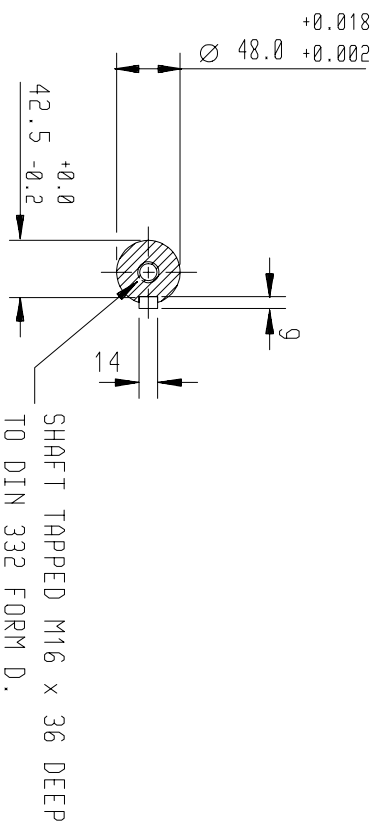
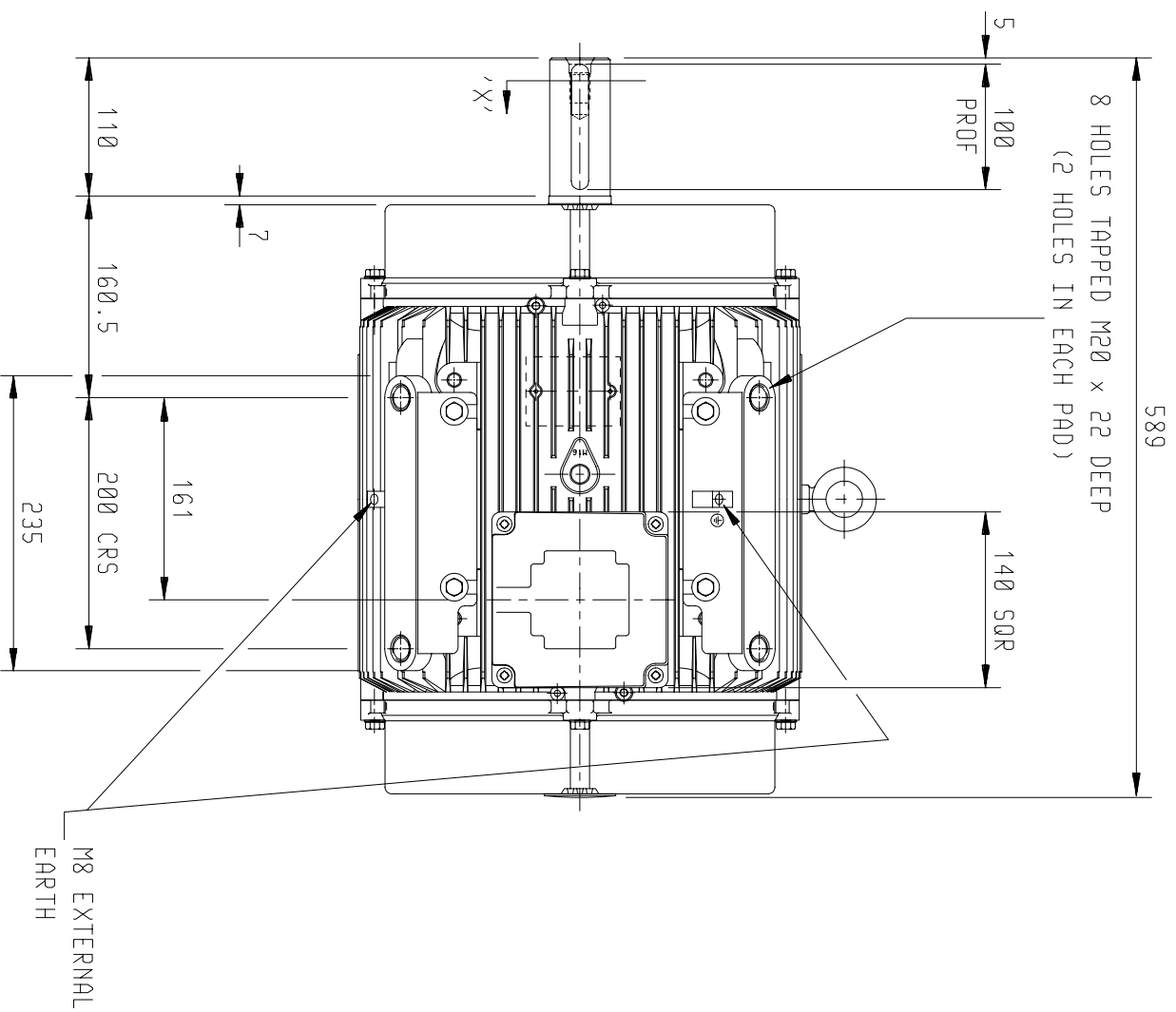
CUSTOMER	ORDER No.	PART No.	OUR ORDER No.	FRAME SIZE	KW.	RPM.	HZ	PHASE	VOLTS	POLES	BRGS.	DE.	NDE.	MOTOR NETT WT.	Kg.	SPECIAL REMARKS
----------	-----------	----------	---------------	------------	-----	------	----	-------	-------	-------	-------	-----	------	----------------	-----	-----------------

ALL DIMENSIONS IN MILLIMETRES.  
 FIRST ANGLE PROJECTION

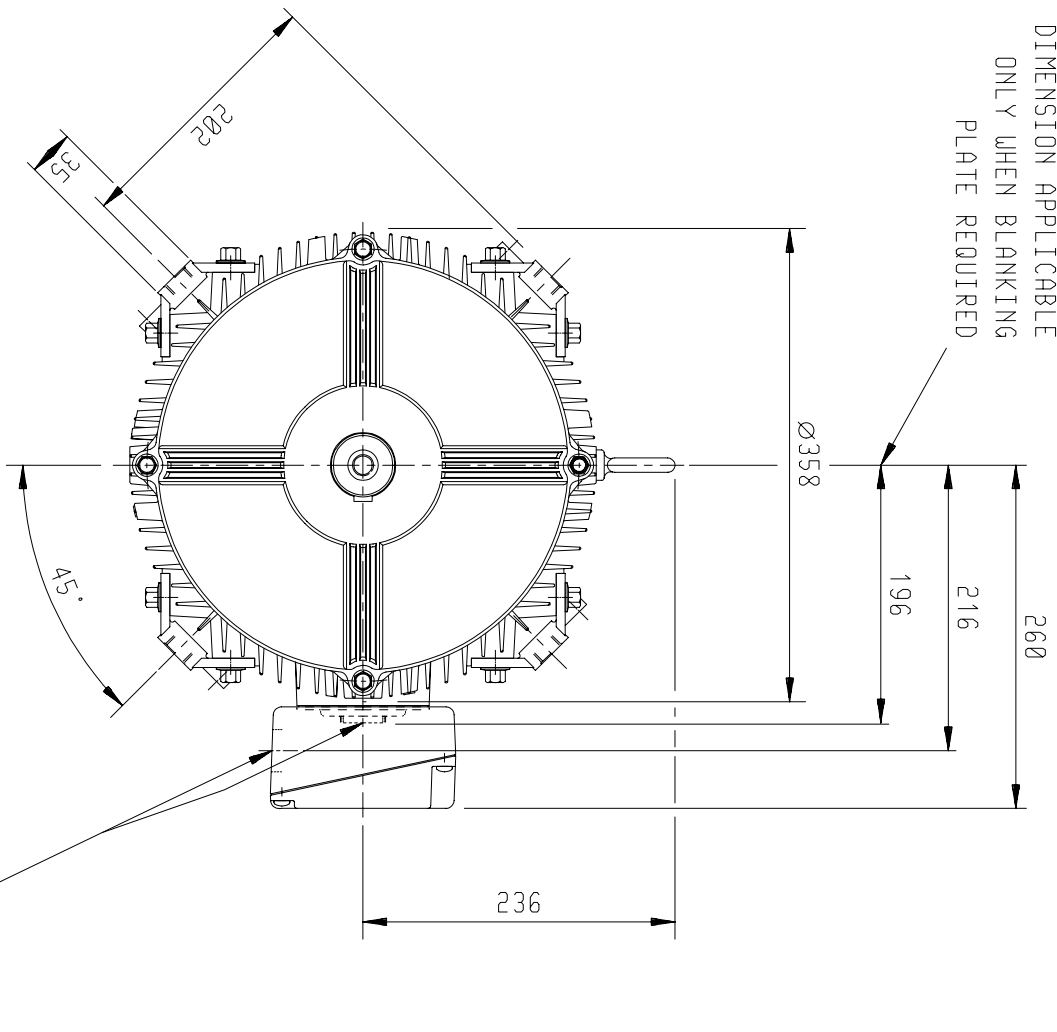


Small Industrial Motors  
 Huddersfield, W. Yorkshire, HD1 3LJ

DRG. No.	U30GDD000/3
DRG. REF.	
REVISION:	RR DATE 08/05/03



SECTION ON 'X'



DIMENSION APPLICABLE ONLY WHEN BLANKING PLATE REQUIRED

TERMINAL BOX POSITION:- CAN BE ARRANGED AT EITHER 9,12 OR 3 O'CLOCK.  
 STANDARD TERMINAL BOX POSITION IS 3 O'CLOCK AS SHOWN.  
 CONDUIT ENTRIES:- TERMINAL BOX CAN BE ROTATED AT 90° INTERVALS  
 (CONDUIT ENTRY POSITION SHOWN FOR ILLUSTRATION ONLY).

OUTLINE DIMENSION DRAWING IN ALUMINIUM TOTALLY ENCLOSED NO FAN

180M/L FRAME PAD MOUNTED MOTOR

A3

SHEET SIZE	TITLE
A3	OUTLINE DIMENSION DRAWING IN ALUMINIUM TOTALLY ENCLOSED NO FAN

DRAWN	NAME	DATE
CHECKED	JWD	30-10-96
SCALE	1:6	

CUSTOMER	ORDER No.	PART No.	OUR ORDER No.	FRAME SIZE	KW.	HZ	VOLTS	BRGS.	MOTOR NETT WT.	SPECIAL REMARKS
					RPM.	PHASE	POLES	DE.	Kg.	

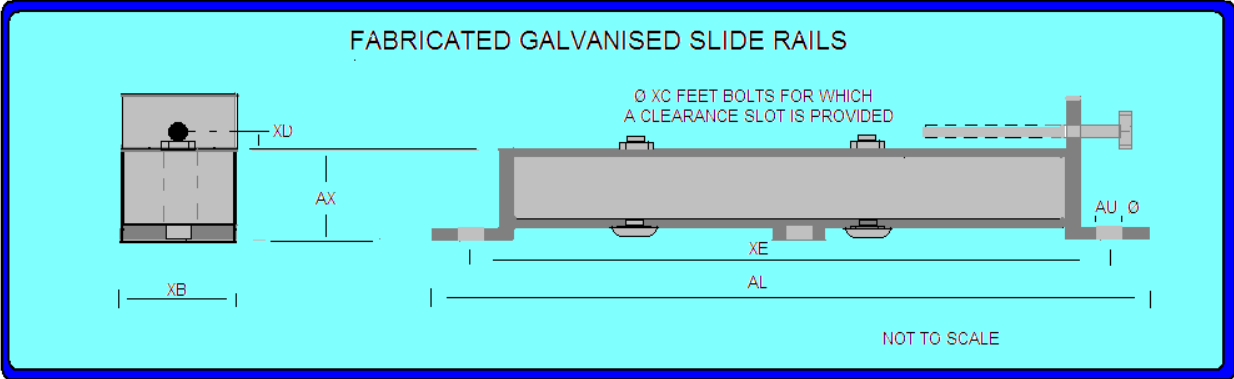
ALL DIMENSIONS IN MILLIMETRES.  
 FIRST ANGLE PROJECTION

**BROOK PROMPTON**

Small Industrial Motors  
 Huddersfield, W. Yorkshire, HD1 3LJ

DRG. No.	W30GP000/2
DRG. REF.	
REVISION:	RR DATE 09/05/03

# Slide Rails



Code	AL	AU	AX	XB	XD	XE	Bolt Size	Frame Size	BT	XC Motor Foot Bolts
<b>M1618</b>	615	15	64	57	10	565	M12 X 220	160 180	160 125	M12 X 80

All data is subject to confirmation by BROOK-MTL

E&OE

BROOK MTL, 63 Allens Road, East Tamaki, Auckland, New Zealand

Associate companies: [Rotating Machinery Supplies](mailto:rotatingmachinery@clear.net.nz), 6 Devon Road, Hamilton. [rotatingmachinery@clear.net.nz](mailto:rotatingmachinery@clear.net.nz)  
[Soco Electric Motors](mailto:sales@soco.co.nz), 473 Tremaine Ave, Palmerston North. [sales@soco.co.nz](mailto:sales@soco.co.nz)

