



**BS British Standard 1 | General Purpose | High Efficiency | Aluminium  
6 pole 50Hz | 3(kW) | W-DA132SG**

Performance Data	
Performance Data	Value
Output (kW)	3
Pole	6
Full load speed (RPM)	965
Full Load Torque (Nm)	29.7
Full load current @ 380V (A)	7.5
Full load current @ 400V (A)	7.1
Full load current @ 415V (A)	7.1
Efficiency Full load (%)	86
Efficiency 3/4 load (%)	86
Efficiency 1/2 load (%)	84
Power Factor Full load	0.71
Power factor 3/4 load	0.64
Power Factor 1/2 load	0.52
Direct on line starting torque ratio	2.2
Direct on line starting current ratio	6.5
Direct on line Pull out torque ratio	2.7
Direct on line Pull up torque ratio	1.7
Star Delta starting torque ratio	0.65
Star Delta starting current ratio	2.1
Star Delta Pull up torque star	0.55
Rotor inertia (kgm <sup>2</sup> )	0.023
Mean sound pressure @1m on no load (dB(A))	58

Standard Features	
Feature	Standard Product
Frequency (Hz)	50Hz / 60Hz
Enclosure	IP55 protection
Cooling Method	IC411 TEFV (Totally Enclosed Fan Ventilated)
T-box position	Top
Lubrication	Regreasing facilities available on request
Balance	Grade N
Bearings	Ball/ball C3 clearance
Drain Holes	160 & 180 frame only
Temperature Rise	Class B (80°C)
Insulation Class	Class F (155°C)
Duty Cycle	S1 continuous rated
Earth Facility	Internal and external
Thermal Protection	Available on request

Shaft Loads	
Mounting	Shaft Load (Nm)
Horizontal shaft load towards motor	1167
Horizontal shaft load away motor	1519
Vertical shaft up, load towards motor	1035
Vertical shaft up, load away motor	1711
Vertical shaft down, load towards motor	1359
Vertical shaft down, load away motor	1387
Maximum radial load at end of shaft	1968
Bearing life (hours)	20000

Bearings and Oil Seals	
Feature	Standard Product
Drive end bearing	62082Z
Non-drive end bearing	62052Z
Drive end oil seal	40 x 52 x 7
Non drive end oil seal	25 x 37 x 7
Grease life (horizontal mounting)	30,000
Grease life (vertical mounting)	30,000

Variations to the standard specification can be supplied on request

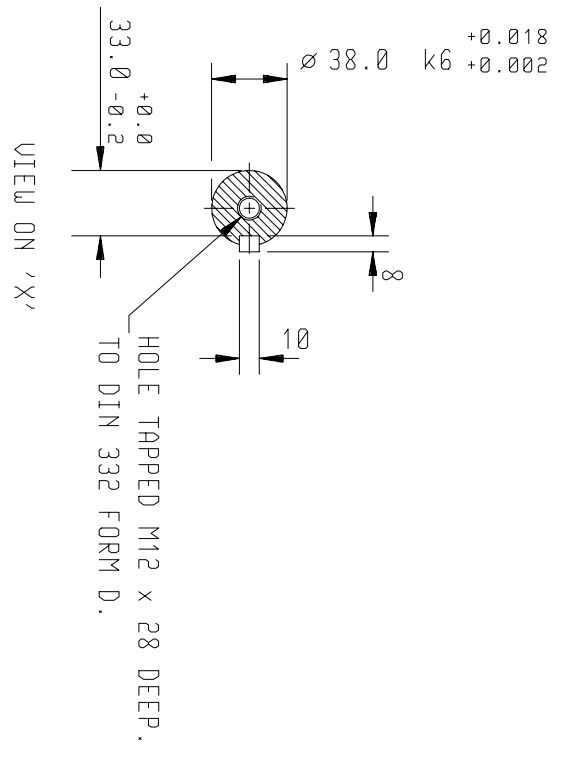
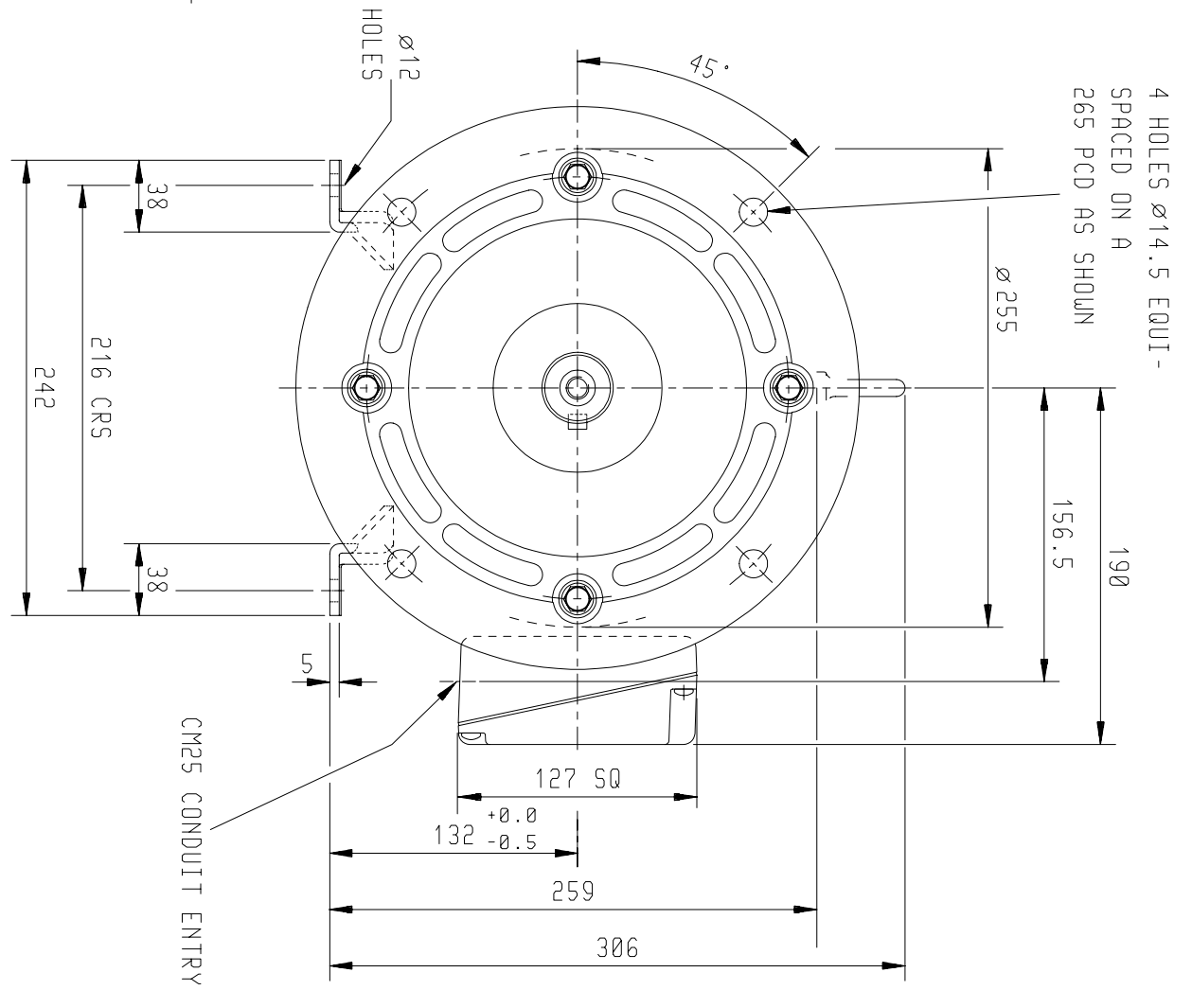
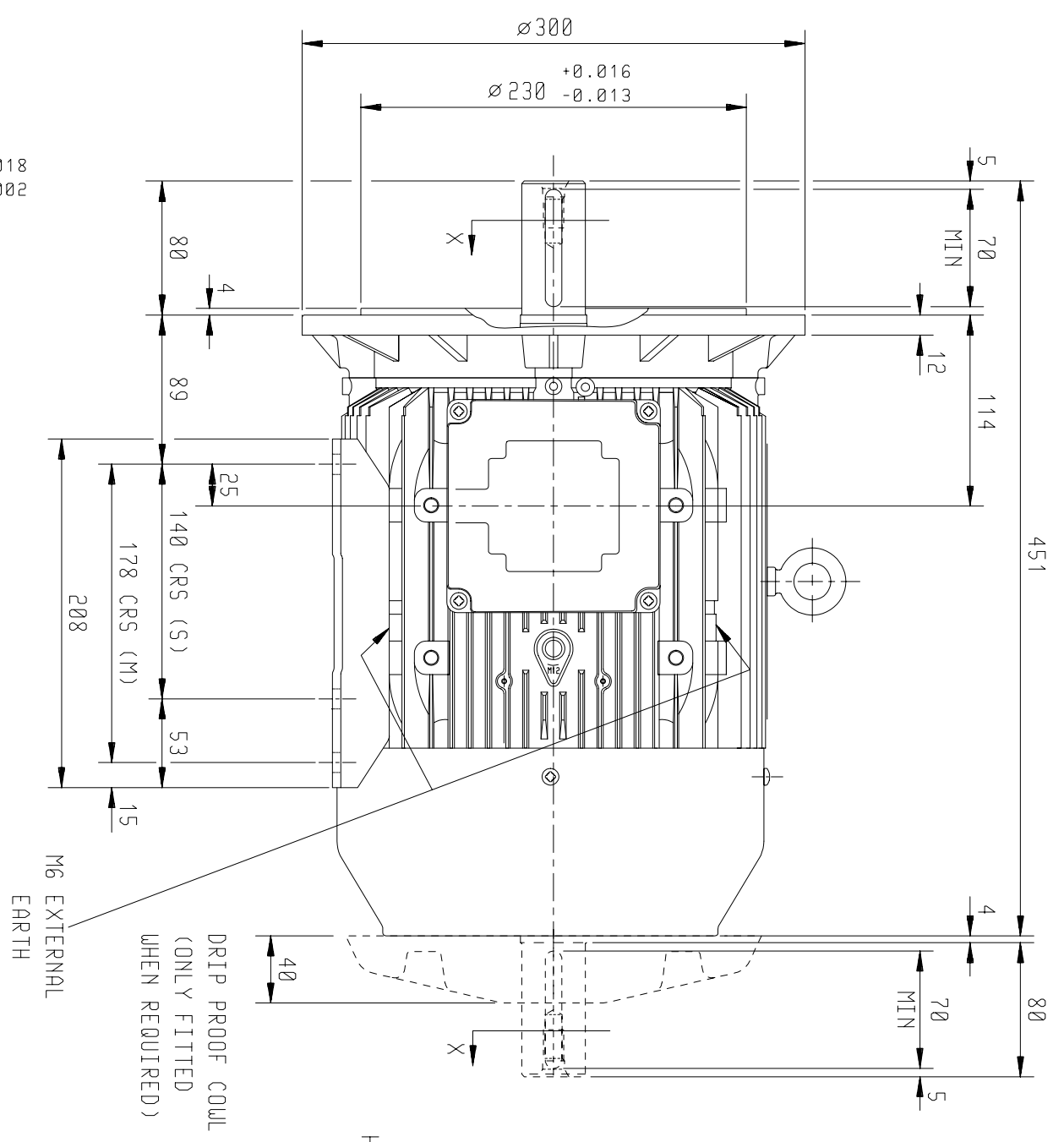
All data is subject to confirmation by BROOK MTL

E&OE

**BROOK-MTL**, 63 Allens Road, East Tamaki, Auckland 2161, New Zealand  
Tel +64 9 271 6063 - Fax +64 9 271 6020 www.brookmtl.co.nz - [info@brookmtl.co.nz](mailto:info@brookmtl.co.nz)

Associate company: [Rotating Machinery Supplies](http://rotatingmachinery@clear.net.nz), 6 Devon Road, Hamilton 3242 [rotatingmachinery@clear.net.nz](http://rotatingmachinery@clear.net.nz)  
[Soco Electric Motors](http://sales@soco.co.nz), 473 Tremaine Ave, Palmerston North 4412 [sales@soco.co.nz](mailto:sales@soco.co.nz)





TERMINAL BOX POSITION : - CAN BE ARRANGED AT EITHER 9, 12 OR 3 O'CLOCK BY MOVING FEET.

STANDARD TERMINAL BOX POSITION IS 3 O'CLOCK AS SHOWN.  
 CONDUIT ENTRIES:- TERMINAL BOX CAN BE ROTATED AT 90° INTERVALS  
 (CONDUIT ENTRY POSITION SHOWN FOR ILLUSTRATION ONLY).

SHEET TITLE  
 SIZE A3  
 OUTLINE DIMENSION DRAWING W ALUMINIUM TOTALLY ENCLOSED FAN COOLED  
 132S/M FRAME FOOT AND 'D' FLANGE MOUNTED MOTOR

DRAWN	NAME	DATE
CHECKED	MI	22-08-95
SCALE	JWD	22-08-95
	1 : 4	

CUSTOMER	
ORDER No.	
PART No.	
OUR ORDER No.	
FRAME SIZE	
KW.	RPM.
HZ	PHASE
VOLTS	POLES
BRGS.	DE.
MOTOR NETT WT.	NDE.
SPECIAL REMARKS	Kg.

ALL DIMENSIONS IN MILLIMETRES.  
 FIRST ANGLE PROJECTION



Small Industrial Motors  
 Huddersfield, W. Yorkshire, HD1 3LJ

DRG. No.	W28GD000/5
DRG. REF.	
REVISION:	DH DATE 04/08/03

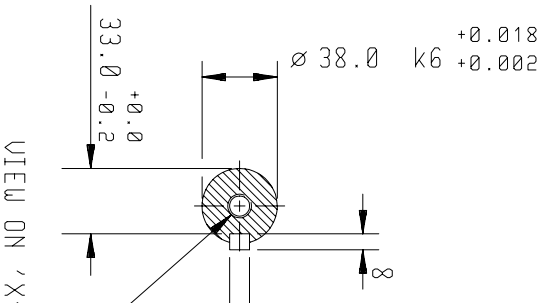
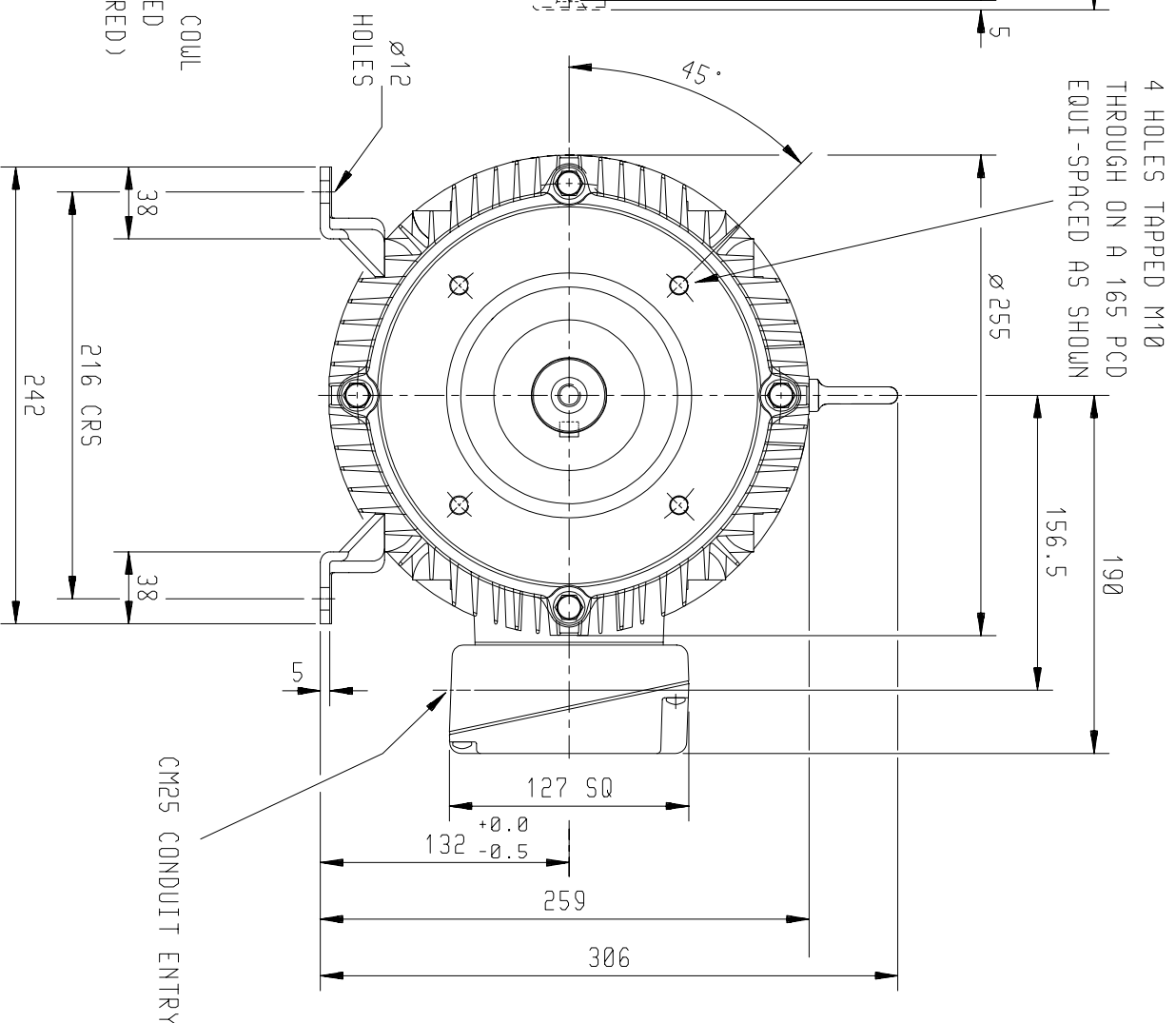
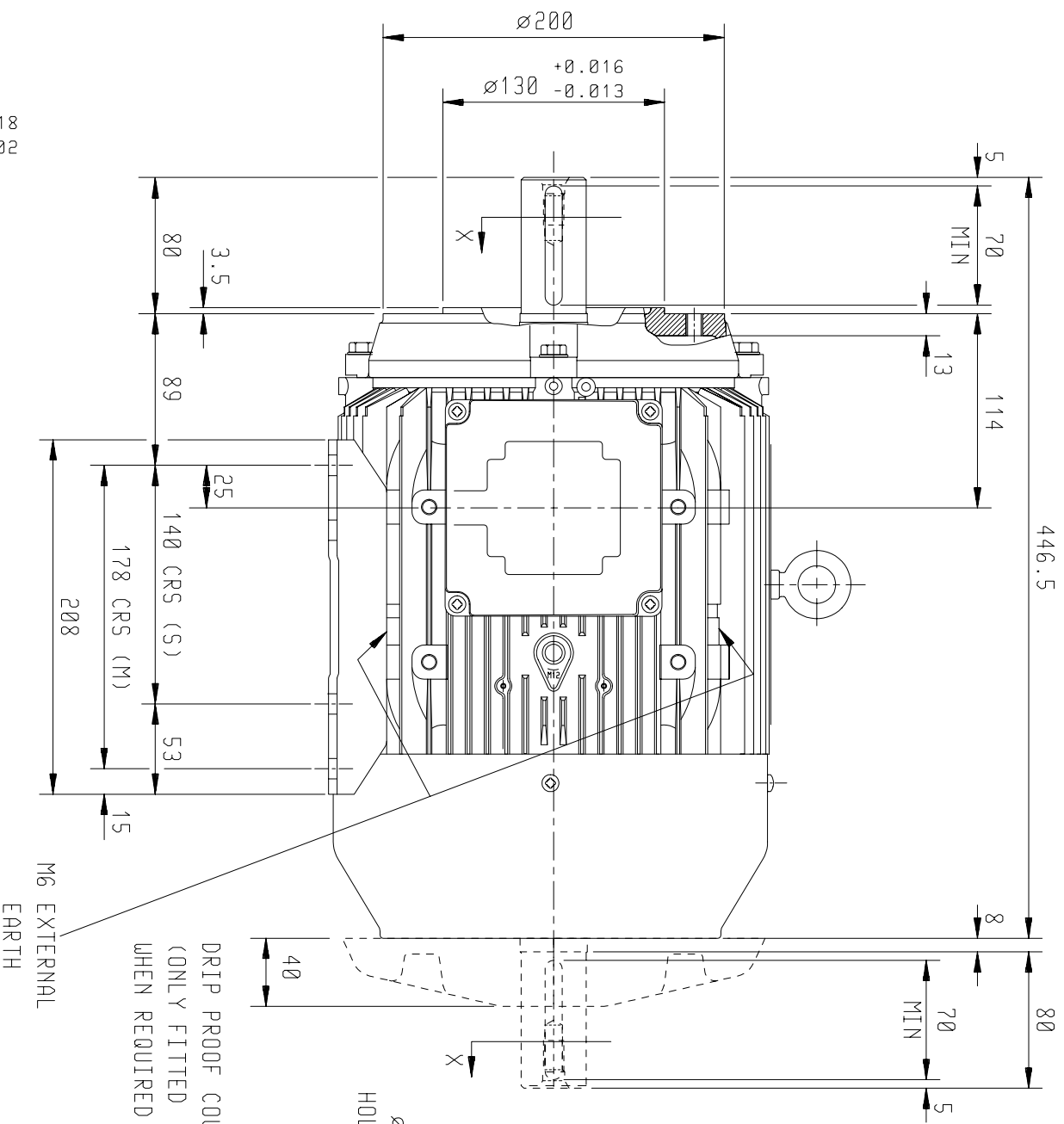
DRG. No. W28GC000/4

DRG. REF.

CUSTOMER  
ORDER No.  
PART No.  
OUR ORDER No.

FRAME SIZE  
KW.  
Hz  
VOLTS  
BRGS.  
MOTOR NETT WT.  
SPECIAL REMARKS

RPM.  
PHASE  
POLES  
NDE.  
Kg.



CARE SHOULD BE TAKEN TO ENSURE THAT THE SCREWS OR STUDS DO NOT EXTEND INSIDE THE MOTOR BEYOND THE DEPTH OF THE TAPPED FIXING HOLE.  
TERMINAL BOX POSITION : - CAN BE ARRANGED AT EITHER 9, 12 OR 3 O'CLOCK BY MOVING FEET.

STANDARD TERMINAL BOX POSITION IS 3 O'CLOCK AS SHOWN.  
CONDUIT ENTRIES:- TERMINAL BOX CAN BE ROTATED AT 90° INTERVALS  
(CONDUIT ENTRY POSITION SHOWN FOR ILLUSTRATION ONLY).

OUTLINE DIMENSION DRAWING W ALUMINIUM TOTALLY ENCLOSED FAN COOLED

132S/M FRAME 'C' FACE WITH FEET MOUNTED MOTOR

ALL DIMENSIONS IN MILLIMETRES.



**BROOK**  
**BROMPTON**

Small Industrial Motors  
Huddersfield, W. Yorkshire, HD1 3LJ

DRG. No. W28GC000/4

DRG. REF.

REVISION: DH DATE 04/08/03

SHEET TITLE

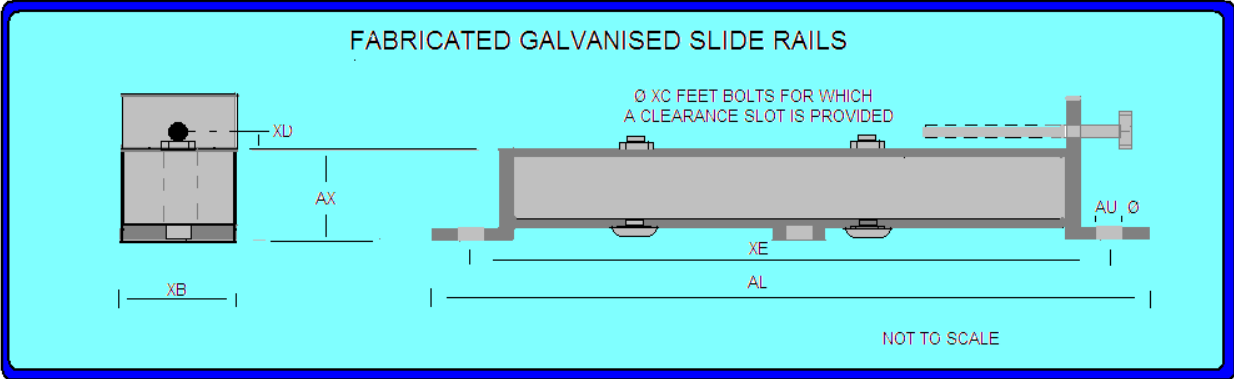
SIZE

A3

NAME	DATE
DRAWN MI	22-08-95
CHECKED JWD	22-08-95
SCALE	1 : 4



# Slide Rails



Code	AL	AU	AX	XB	XD	XE	Bolt Size	Frame Size	BT	XC Motor Foot Bolts
<b>M1013</b>	470	12	44	45	6	430	M10 X 200	100	171	M10 X 60
								112	137	
								132	106	

All data is subject to confirmation by BROOK-MTL

E&OE

BROOK MTL, 63 Allens Road, East Tamaki, Auckland, New Zealand

Associate companies: [Rotating Machinery Supplies](mailto:rotatingmachinery@clear.net.nz), 6 Devon Road, Hamilton. [rotatingmachinery@clear.net.nz](mailto:rotatingmachinery@clear.net.nz)  
[Soco Electric Motors](mailto:sales@soco.co.nz), 473 Tremaine Ave, Palmerston North. [sales@soco.co.nz](mailto:sales@soco.co.nz)

