



**BS British Standard 1 | General Purpose | High Efficiency | Aluminium
4 pole 50Hz | 4(kW) | W-DA112MR**

Performance Data	
Performance Data	Value
Output (kW)	4
Pole	4
Full load speed (RPM)	1447
Full Load Torque (Nm)	26.5
Full load current @ 380V (A)	8
Full load current @ 400V (A)	7.8
Full load current @ 415V (A)	7.7
Efficiency Full load (%)	88.7
Efficiency 3/4 load (%)	88
Efficiency 1/2 load (%)	87.5
Power Factor Full load	0.85
Power factor 3/4 load	0.74
Power Factor 1/2 load	0.6
Direct on line starting torque ratio	2.5
Direct on line starting current ratio	6.9
Direct on line Pull out torque ratio	2.9
Direct on line Pull up torque ratio	2.1
Star Delta starting torque ratio	0.75
Star Delta starting current ratio	2.2
Start Delta Pull up torque star	0.6
Rotor inertia (kgm ²)	0.011
Mean sound pressure @1m on no load (dB(A))	56

Standard Features	
Feature	Standard Product
Frequency (Hz)	50Hz / 60Hz
Enclosure	IP55 protection
Cooling Method	IC411 TEFV (Totally Enclosed Fan Ventilated)
T-box position	Top
Lubrication	Regreasing facilities available on request
Balance	Grade N
Bearings	Ball/ball C3 clearance
Drain Holes	160 & 180 frame only
Temperature Rise	Class B (80°C)
Insulation Class	Class F (155°C)
Duty Cycle	S1 continuous rated
Earth Facility	Internal and external
Thermal Protection	Available on request

Shaft Loads	
Mounting	Shaft Load (Nm)
Horizontal shaft load towards motor	690
Horizontal shaft load away motor	1010
Vertical shaft up, load towards motor	612
Vertical shaft up, load away motor	1131
Vertical shaft down, load towards motor	811
Vertical shaft down, load away motor	932
Maximum radial load at end of shaft	1202
Bearing life (hours)	20000

Bearings and Oil Seals	
Feature	Standard Product
Drive end bearing	62062Z
Non-drive end bearing	62052Z
Drive end oil seal	30 x 42 x 7
Non drive end oil seal	25 x 37 x 7
Grease life (horizontal mounting)	30,000
Grease life (vertical mounting)	30,000

Variations to the standard specification can be supplied on request

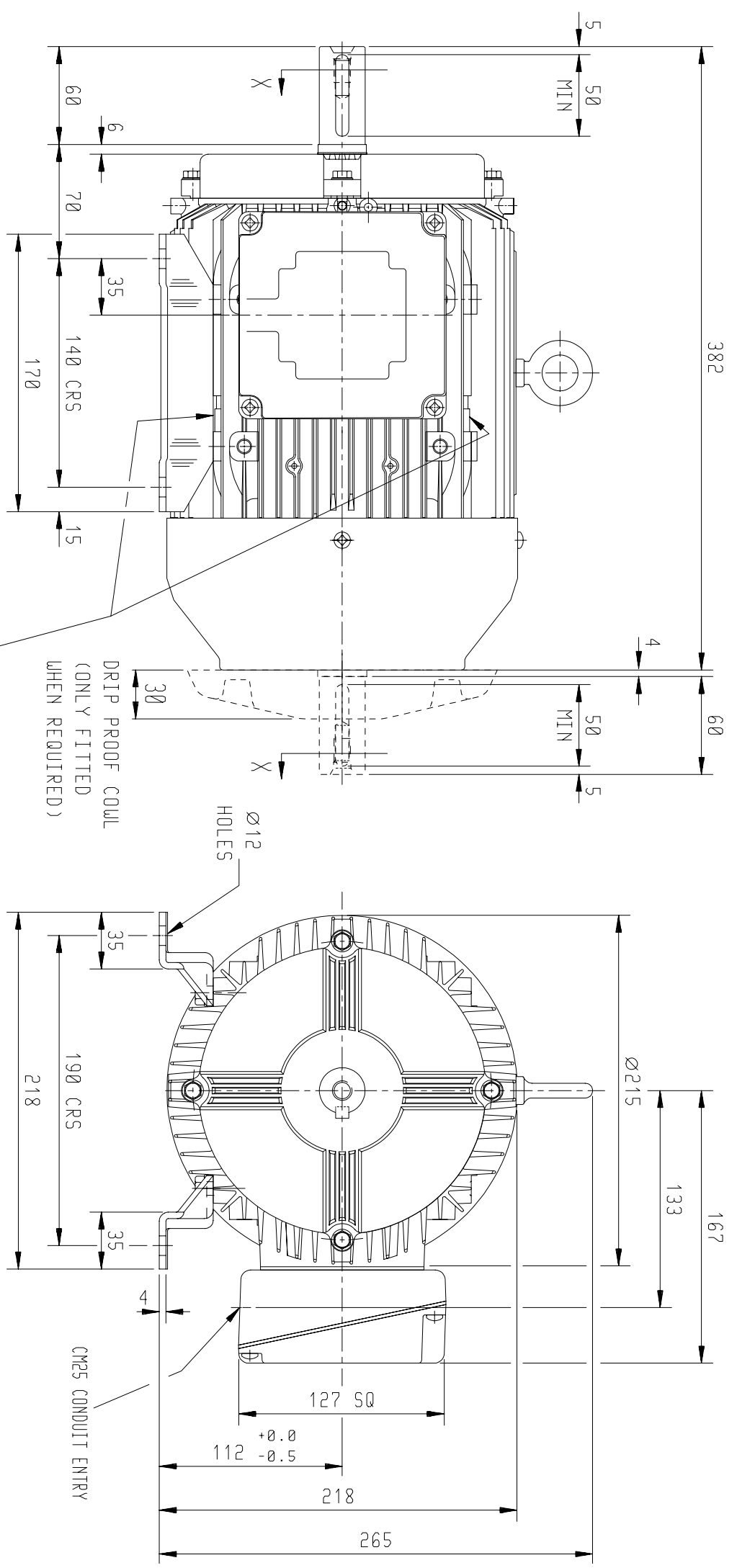
All data is subject to confirmation by BROOK MTL

E&OE

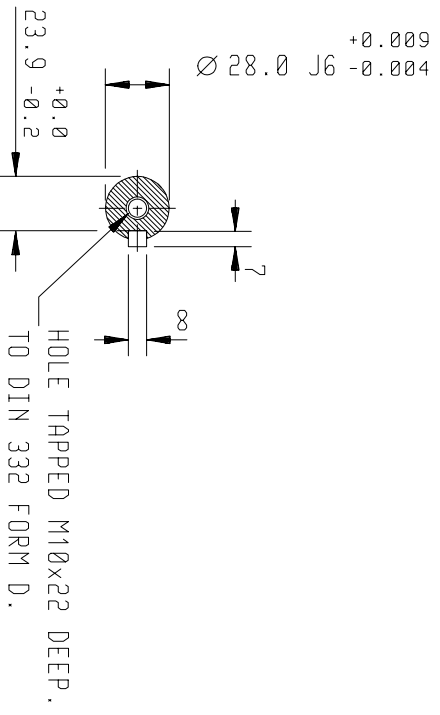
BROOK-MTL, 63 Allens Road, East Tamaki, Auckland 2161, New Zealand
Tel +64 9 271 6063 - Fax +64 9 271 6020 www.brookmtl.co.nz - info@brookmtl.co.nz

Associate company: [Rotating Machinery Supplies](http://RotatingMachinerySupplies.com), 6 Devon Road, Hamilton 3242 rotatingmachinery@clear.net.nz
[Soco Electric Motors](http://SocoElectricMotors.com), 473 Tremaine Ave, Palmerston North 4412 sales@soco.co.nz

CUSTOMER	
ORDER No.	
PART No.	
FRAME SIZE	
KW.	RPM.
HZ	PHASE
VOLTS	POLES
BRGS.	DE.
MOTOR NETT WT.	NDE.
SPECIAL REMARKS	Kg.



VIEW ON 'X'



TERMINAL BOX POSITION:- CAN BE ARRANGED AT EITHER 9,12 OR 3 O'CLOCK BY MOVING FEET.

STANDARD TERMINAL BOX POSITION IS 3 O'CLOCK AS SHOWN.

CONDUIT ENTRIES:- TERMINAL BOX CAN BE ROTATED AT 90° INTERVALS

(CONDUIT ENTRY POSITION SHOWN FOR ILLUSTRATION ONLY).

OUTLINE DIMENSION DRAWING W ALUMINIUM TOTALLY ENCLOSED FAN COOLED
 112M FRAME FOOT MOUNTED MOTOR

SHEET SIZE
A3

DRAWN	NAME	DATE
CHECKED	MI	14-03-94
SCALE	JWD	14-03-94
		1:3.5

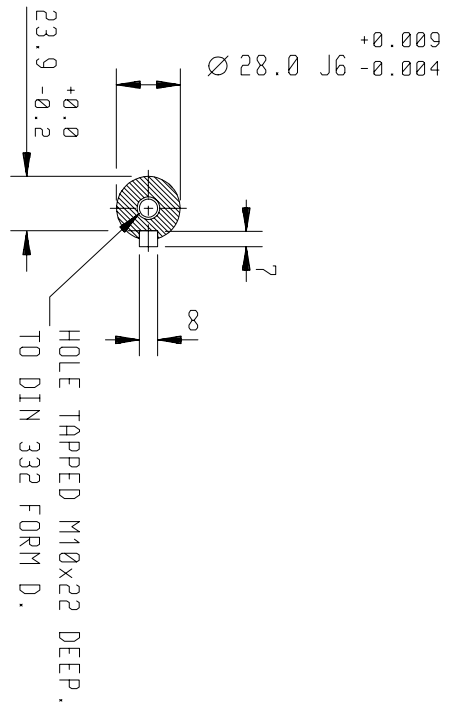
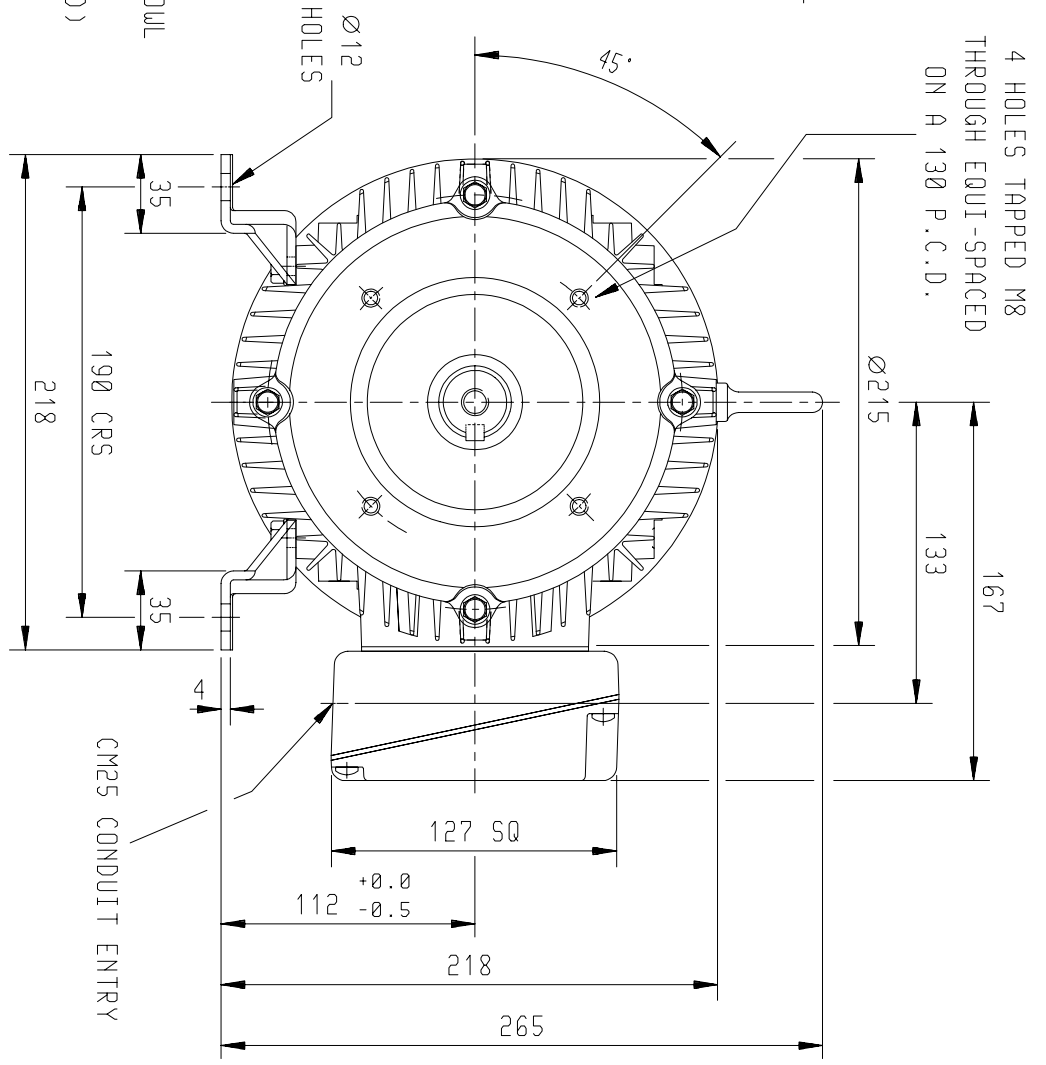
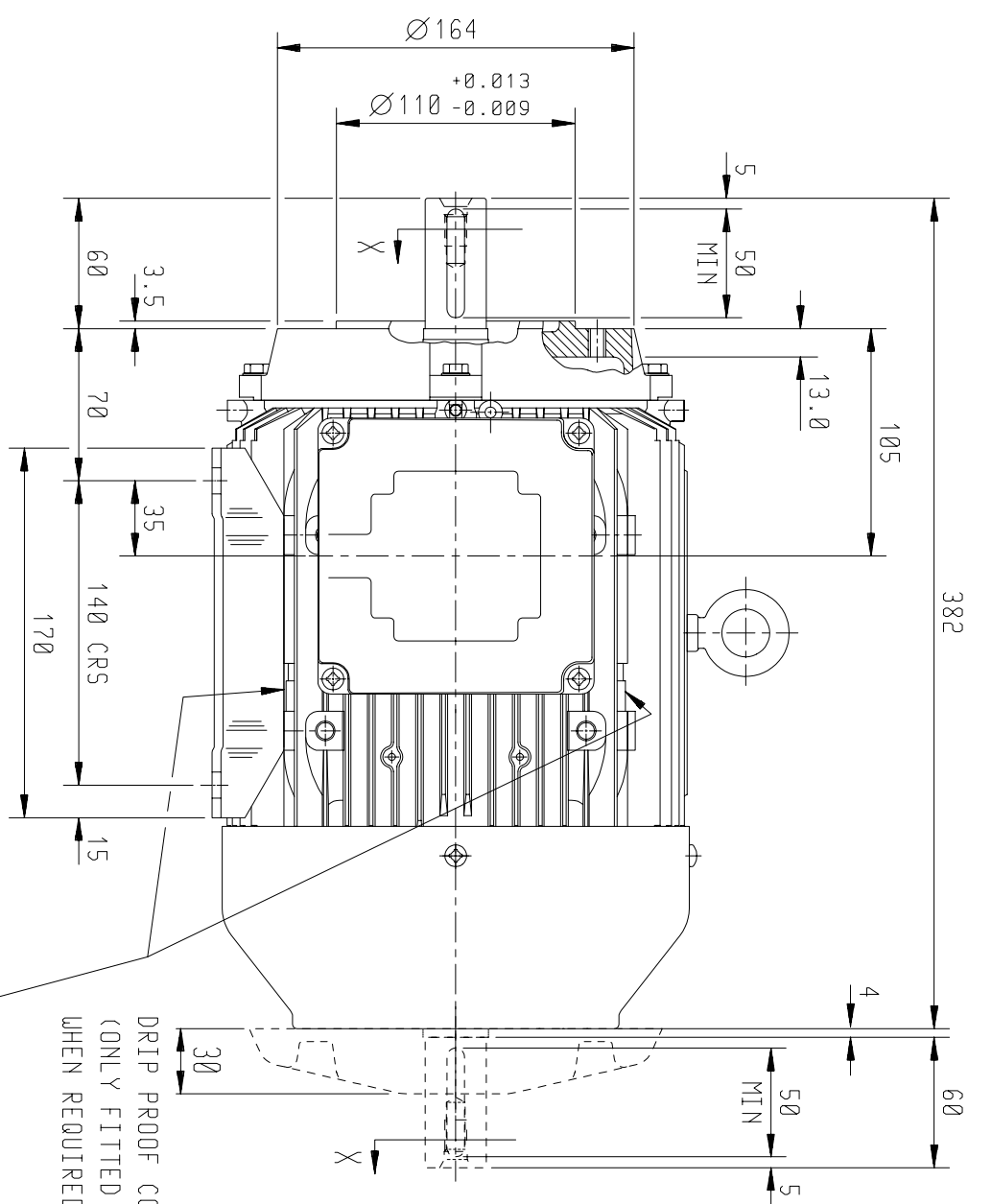
ALL DIMENSIONS IN MILLIMETRES.



BROOK PROMPTON

Small Industrial Motors
 Huddersfield, W. Yorkshire, HD1 3LJ

DRG. No.	W12GF000/3		
DRG. REF.			
REVISION:	RR	DATE	28/05/03



VIEW ON 'X'

SHEET SIZE
A3

TITLE
 OUTLINE DIMENSION DRAWING W ALUMINIUM TOTALLY ENCLOSED FAN COOLED 112M FRAME FOOT AND 'C' FACE MOUNTED MOTOR

DRAWN	MI	NAME	DATE
CHECKED	JWD		20-09-94
SCALE			1:3.5

CARE SHOULD BE TAKEN TO ENSURE THAT THE SCREWS OR STUDS DO NOT EXTEND INSIDE THE MOTOR BEYOND THE DEPTH OF THE TAPPED FIXING HOLE.
 TERMINAL BOX POSITION:- CAN BE ARRANGED AT EITHER 9,12 OR 3 O'CLOCK BY MOVING FEET. STANDARD TERMINAL BOX POSITION IS 3 O'CLOCK AS SHOWN.
 CONDUIT ENTRIES:- TERMINAL BOX CAN BE ROTATED AT 90° INTERVALS (CONDUIT ENTRY POSITION SHOWN FOR ILLUSTRATION ONLY).

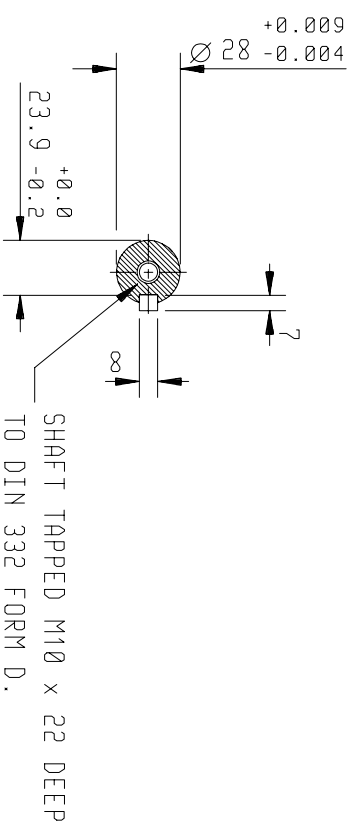
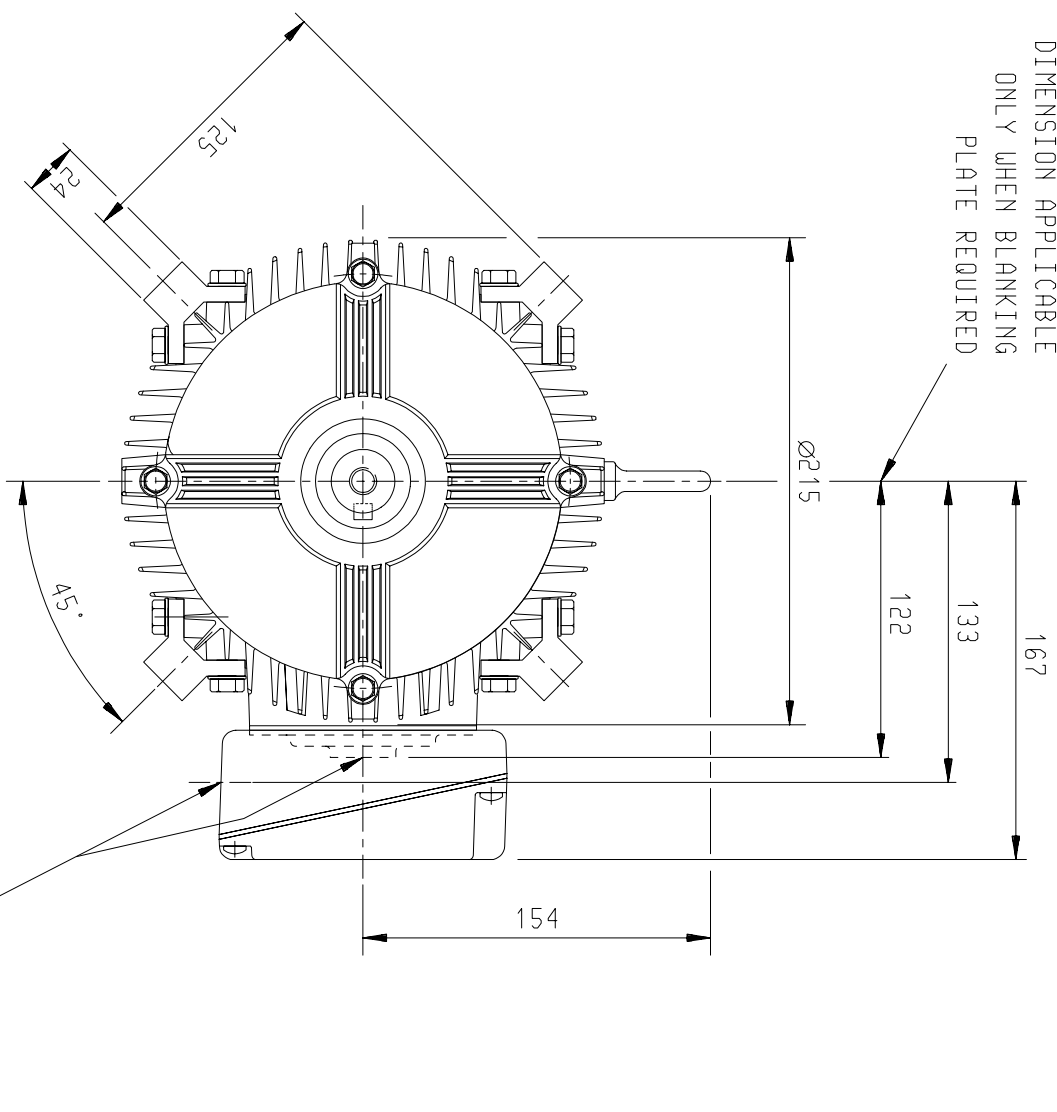
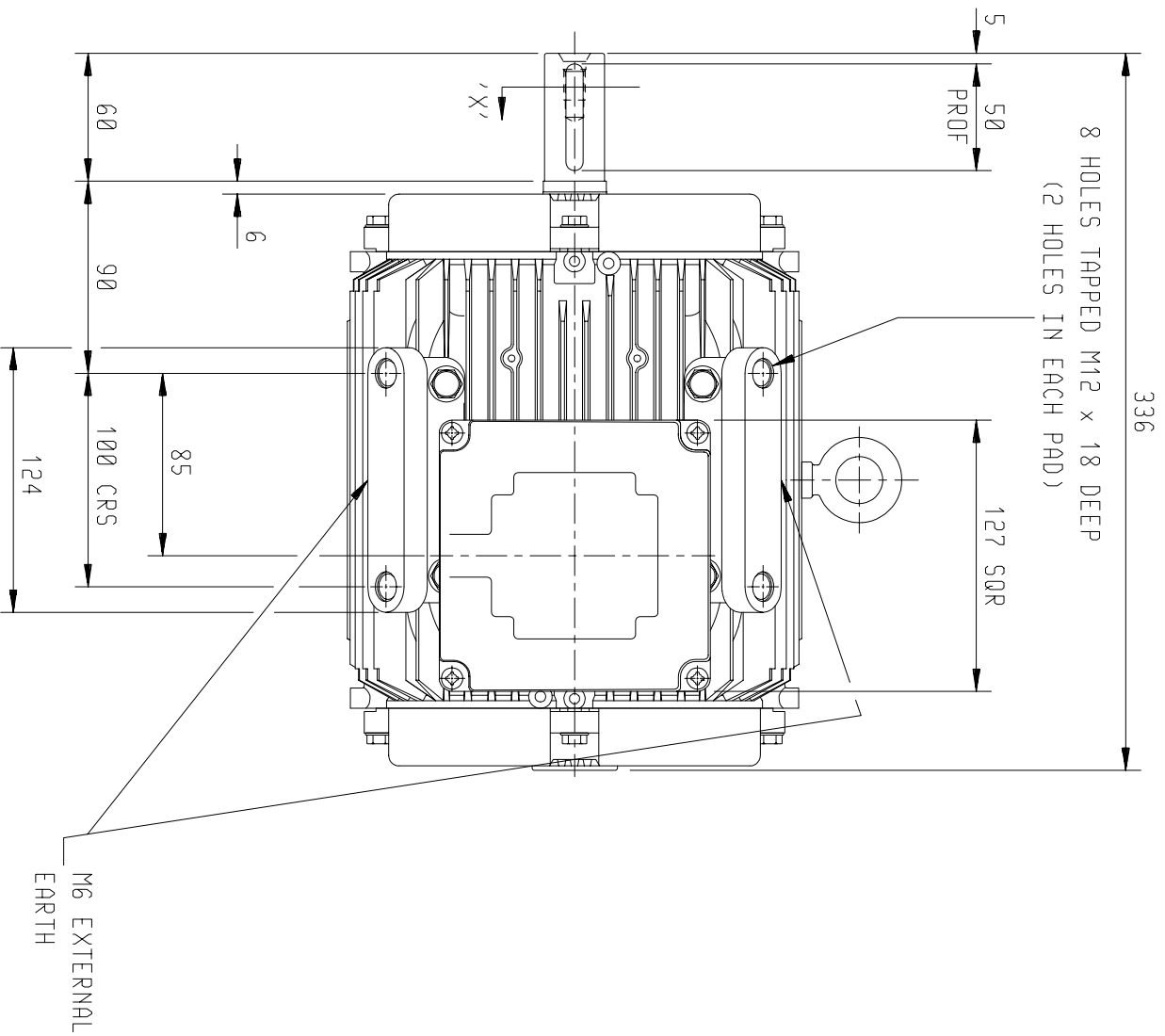
CUSTOMER	ORDER No.	PART No.	FRAME SIZE	KW.	Hz	VOLTS	BRGS.	MOTOR NETT WT.	SPECIAL REMARKS
							DE.	Kg.	

ALL DIMENSIONS IN MILLIMETRES.
 FIRST ANGLE PROJECTION

BROOK PROMPTON

Small Industrial Motors
 Huddersfield, W. Yorkshire, HD1 3LJ

DRG. No.	W12GC000/4
DRG. REF.	
REVISION:	RR
DATE	04/06/03



SHAFT TAPPED M10 x 22 DEEP.
 TO DIN 332 FORM D.

DIMENSION APPLICABLE
 ONLY WHEN BLANKING
 PLATE REQUIRED

TERMINAL BOX POSITION:- CAN BE ARRANGED AT EITHER 9,12 OR 3 O'CLOCK.
 STANDARD TERMINAL BOX POSITION IS 3 O'CLOCK AS SHOWN.
 CONDUIT ENTRIES:- TERMINAL BOX CAN BE ROTATED AT 90° INTERVALS
 (CONDUIT ENTRY POSITION SHOWN FOR ILLUSTRATION ONLY).

OUTLINE DIMENSION DRAWING W ALUMINIUM TOTALLY ENCLOSED NO FAN

112M FRAME PAD MOUNTED MOTOR

CUSTOMER	
ORDER No.	
PART No.	
OUR ORDER No.	
FRAME SIZE	
KW.	RPM.
HZ	PHASE
VOLTS	POLES
BRGS.	DE.
MOTOR NETT WT.	NDE.
SPECIAL REMARKS	Kg.

ALL DIMENSIONS IN MILLIMETRES.
 FIRST ANGLE
 PROJECTION

BROOK
PROMPTON

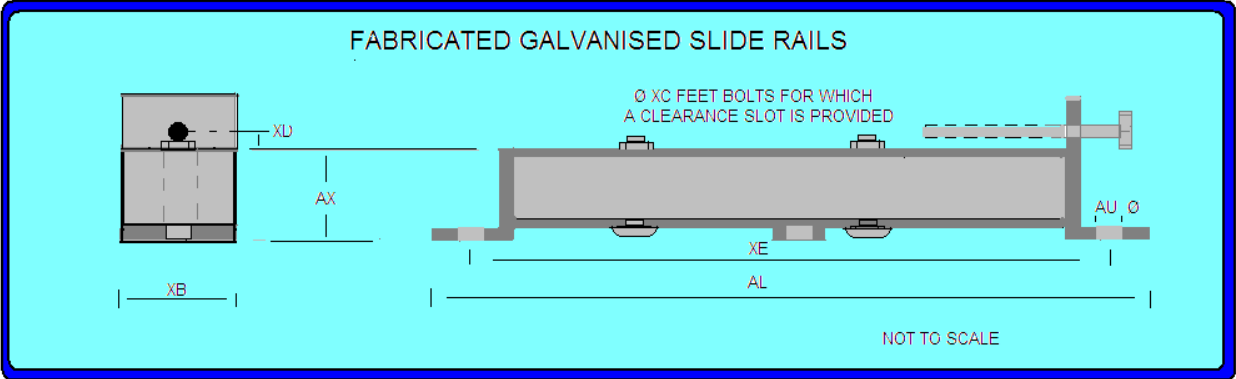
Small Industrial Motors
 Huddersfield, W. Yorkshire, HD1 3LJ

SHEET
 SIZE
A3

TITLE		
SCALE		
DRAWN	NAME	DATE
CHECKED		
SCALE		

DRG. No.	W12GP000/3		
DRG. REF.			
REVISION:	RR	DATE	06/06/03

Slide Rails



Code	AL	AU	AX	XB	XD	XE	Bolt Size	Frame Size	BT	XC Motor Foot Bolts
M1013	470	12	44	45	6	430	M10 X 200	100	171	M10 X 60
								112	137	
								132	106	

All data is subject to confirmation by BROOK-MTL

E&OE

BROOK MTL, 63 Allens Road, East Tamaki, Auckland, New Zealand

Associate companies: [Rotating Machinery Supplies](http://rotatingmachinery@clear.net.nz), 6 Devon Road, Hamilton. rotatingmachinery@clear.net.nz
[Soco Electric Motors](http://sales@soco.co.nz), 473 Tremaine Ave, Palmerston North. sales@soco.co.nz

