



**BS British Standard 1 | General Purpose | High Efficiency | Aluminium  
2 pole 50Hz | 5.5(kW) | W-DA132SE**

Performance Data	
Performance Data	Value
Output (kW)	5.5
Pole	2
Full load speed (RPM)	2910
Full Load Torque (Nm)	18
Full load current @ 380V (A)	10.5
Full load current @ 400V (A)	10
Full load current @ 415V (A)	10
Efficiency Full load (%)	89.5
Efficiency 3/4 load (%)	89.5
Efficiency 1/2 load (%)	88
Power Factor Full load	0.89
Power factor 3/4 load	0.85
Power Factor 1/2 load	0.73
Direct on line starting torque ratio	2.7
Direct on line starting current ratio	8.2
Direct on line Pull out torque ratio	3.1
Direct on line Pull up torque ratio	2.4
Star Delta starting torque ratio	0.8
Star Delta starting current ratio	2.4
Start Delta Pull up torque star	0.75
Rotor inertia (kgm <sup>2</sup> )	0.015
Mean sound pressure @1m on no load (dB(A))	66

Standard Features	
Feature	Standard Product
Frequency (Hz)	50Hz / 60Hz
Enclosure	IP55 protection
Cooling Method	IC411 TEFV (Totally Enclosed Fan Ventilated)
T-box position	Top
Lubrication	Regreasing facilities available on request
Balance	Grade N
Bearings	Ball/ball C3 clearance
Drain Holes	160 & 180 frame only
Temperature Rise	Class B (80°C)
Insulation Class	Class F (155°C)
Duty Cycle	S1 continuous rated
Earth Facility	Internal and external
Thermal Protection	Available on request

Shaft Loads	
Mounting	Shaft Load (Nm)
Horizontal shaft load towards motor	1355
Horizontal shaft load away motor	1708
Vertical shaft up, load towards motor	1266
Vertical shaft up, load away motor	1838
Vertical shaft down, load towards motor	1486
Vertical shaft down, load away motor	1618
Maximum radial load at end of shaft	2114
Bearing life (hours)	20000

Bearings and Oil Seals	
Feature	Standard Product
Drive end bearing	62082Z
Non-drive end bearing	62052Z
Drive end oil seal	40 x 52 x 7
Non drive end oil seal	25 x 37 x 7
Grease life (horizontal mounting)	30,000
Grease life (vertical mounting)	25,000

Variations to the standard specification can be supplied on request

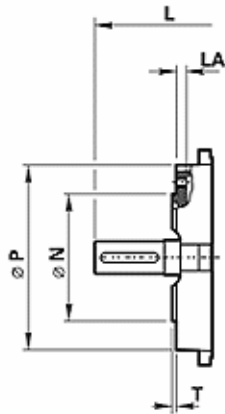
All data is subject to confirmation by BROOK MTL

E&OE

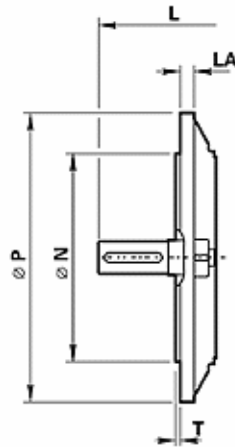
**BROOK-MTL**, 63 Allens Road, East Tamaki, Auckland 2161, New Zealand  
Tel +64 9 271 6063 - Fax +64 9 271 6020 www.brookmtl.co.nz - [info@brookmtl.co.nz](mailto:info@brookmtl.co.nz)

Associate company: [Rotating Machinery Supplies](http://RotatingMachinerySupplies.com), 6 Devon Road, Hamilton 3242 [rotatingmachinery@clear.net.nz](mailto:rotatingmachinery@clear.net.nz)  
[Soco Electric Motors](http://SocoElectricMotors.com), 473 Tremaine Ave, Palmerston North 4412 [sales@soco.co.nz](mailto:sales@soco.co.nz)

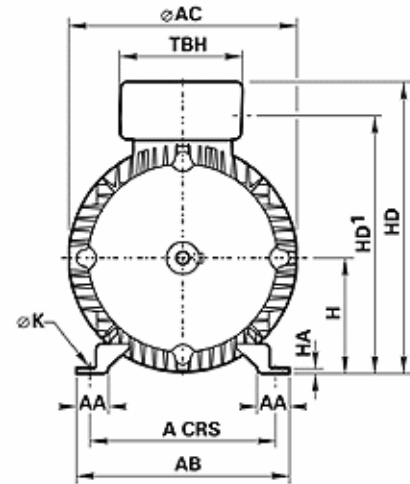
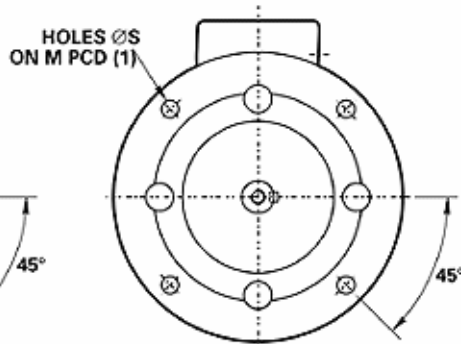
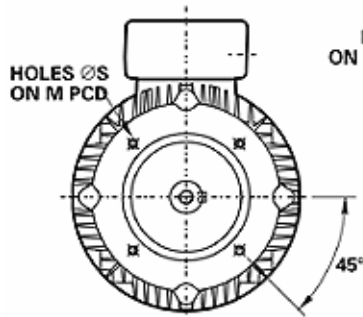
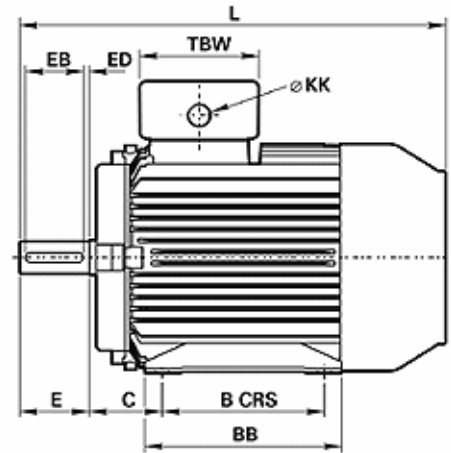
**Face mounted  
IM B14/IM 3601**



**Flange mounted  
IM B5/IM 3001**



**Foot mounted  
IM B3/IM 1001**



(1) 8 holes at 22.5° for flanges to suit 225 frames and above to European specification  
8 holes at 0° for flanges to suit 225 frames and above to British specification

BS British Standard | General Purpose | High Efficiency | Aluminium  
4 pole 50Hz | 5.5(kW) | W-DA132SF

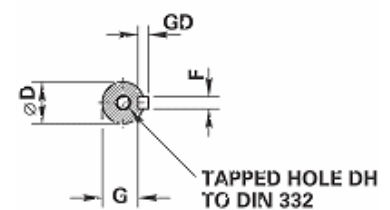
**B3 Foot Dimensions** A B C H K L AA AB BB HA AC HD HD1 TBW TBH KK  
216 140 89 132 12 451 38 242 208 5 255 320 287 127 127 1 x M25

**B5 flange dimensions** M N P S T LA  
265 230 300 14.5 4 12

**B14 face dimensions** M N P S T LA  
165 130 200 M10 3.5 14

**Shaft drive end dimensions** D E F G GDEB DH ED  
38 80 10 33 8 70 M12 x 28 5

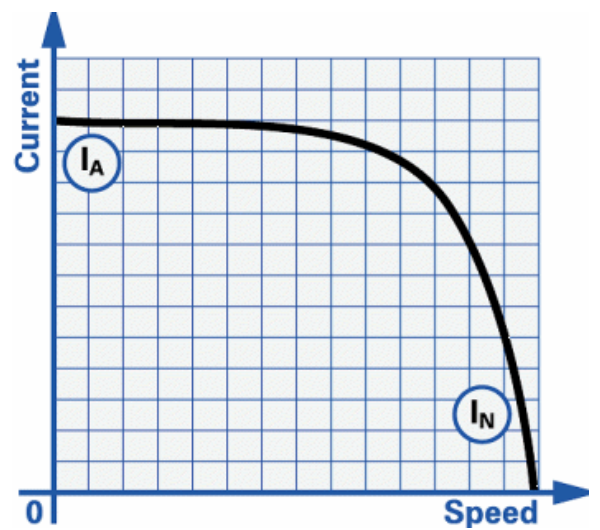
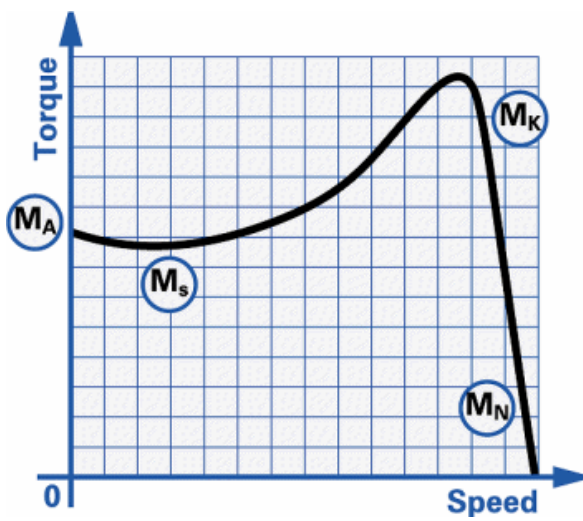
**SDE dimensions**



# BROOK CROMPTON

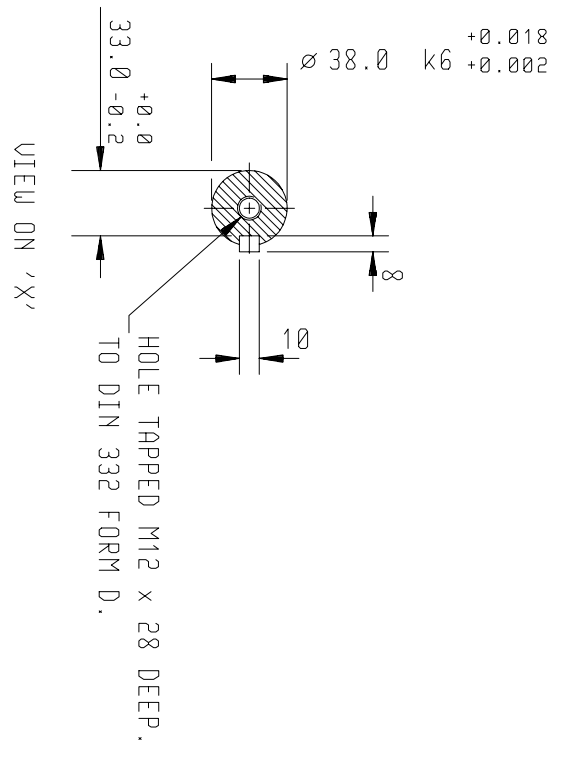
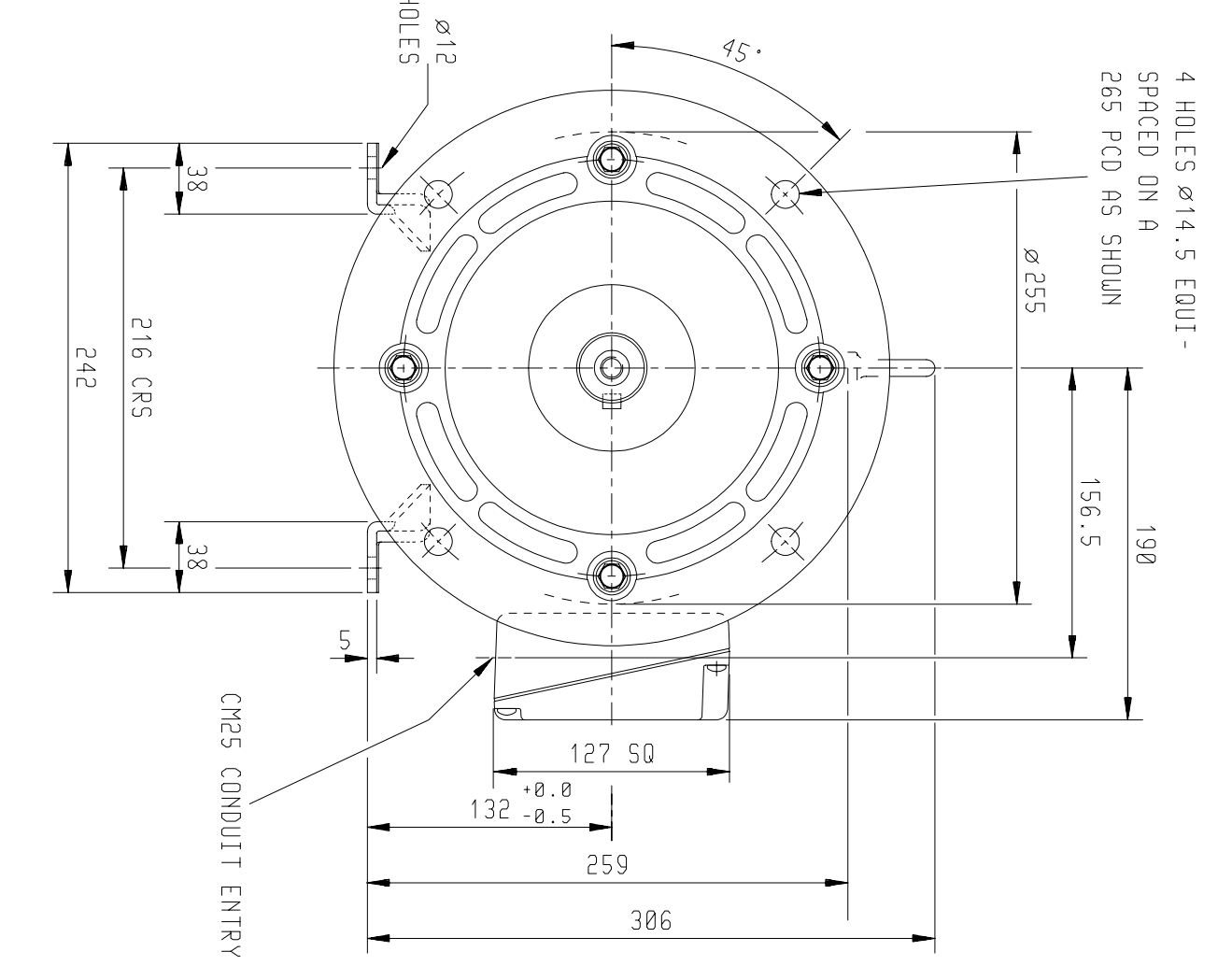
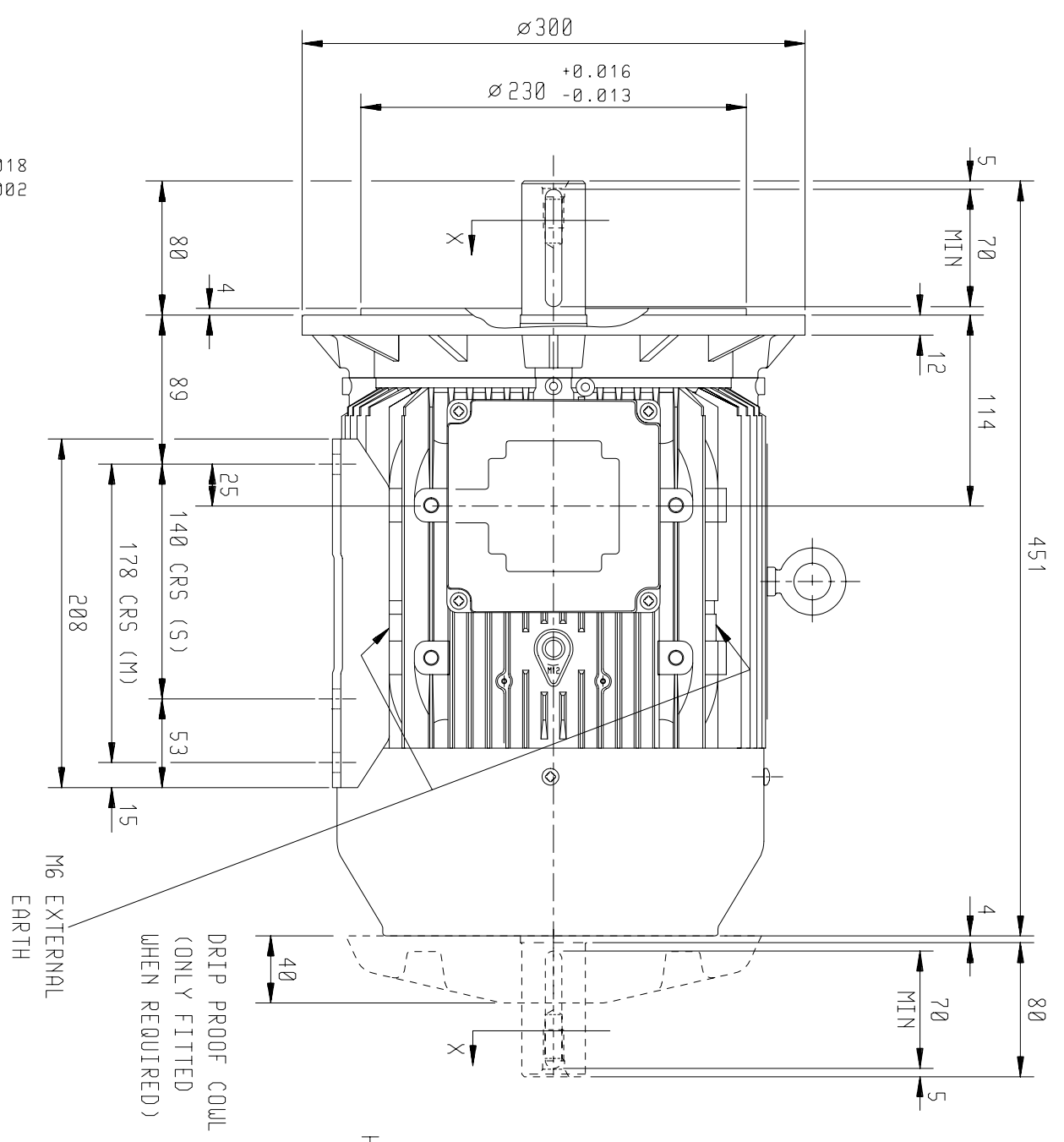
BS British Standard | General Purpose | High Efficiency | Aluminium  
 4 pole 50Hz | 5.5(kW) | W-DA132SF

## DOL Performance Curves



Typical DOL speed / torque curve		Typical DOL speed / current curve	
<b>GRAPH LEGEND</b>		<b>GRAPH LEGEND</b>	
$M_A$ --Starting/Locked Rotor Torque (Nm)	87.12	$I_A$ --Starting Current (Amps)	79.10
$M_S$ --Pull up/Run up Torque (Nm)	76.23	$I_N$ --Full Load Current (Amps)	11.30
$M_K$ --Pull out/Breakdown Torque (Nm)	105		
$M_N$ --Full Load Torque (Nm)	36.30		





TERMINAL BOX POSITION : - CAN BE ARRANGED AT EITHER 9, 12 OR 3 O'CLOCK BY MOVING FEET.

STANDARD TERMINAL BOX POSITION IS 3 O'CLOCK AS SHOWN.

CONDUIT ENTRIES:- TERMINAL BOX CAN BE ROTATED AT 90° INTERVALS

(CONDUIT ENTRY POSITION SHOWN FOR ILLUSTRATION ONLY).

DRIP PROOF COUL (ONLY FITTED WHEN REQUIRED)

M6 EXTERNAL EARTH

4 HOLES Ø14.5 EQUI-SPACED ON A 265 PCD AS SHOWN

CM25 CONDUIT ENTRY

OUTLINE DIMENSION DRAWING W ALUMINIUM TOTALLY ENCLOSED FAN COOLED

132S/M FRAME FOOT AND 'D' FLANGE MOUNTED MOTOR

A3

SHEET SIZE	TITLE
A3	OUTLINE DIMENSION DRAWING W ALUMINIUM TOTALLY ENCLOSED FAN COOLED

DRAWN	NAME	DATE
MI	MI	22-08-95
CHECKED	NAME	DATE
JWD	JWD	22-08-95
SCALE	SCALE	1 : 4

CUSTOMER	ORDER No.	PART No.	OUR ORDER No.	FRAME SIZE	KW.	HZ	VOLTS	BRGS.	MOTOR NETT WT.	SPECIAL REMARKS

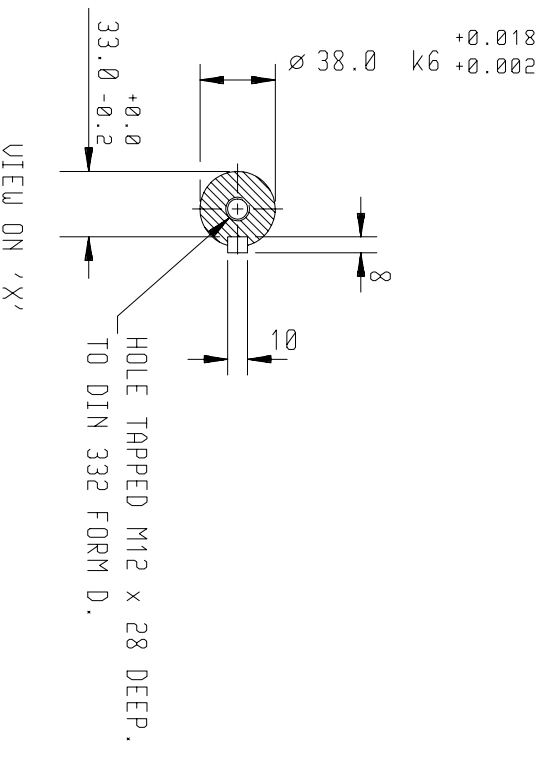
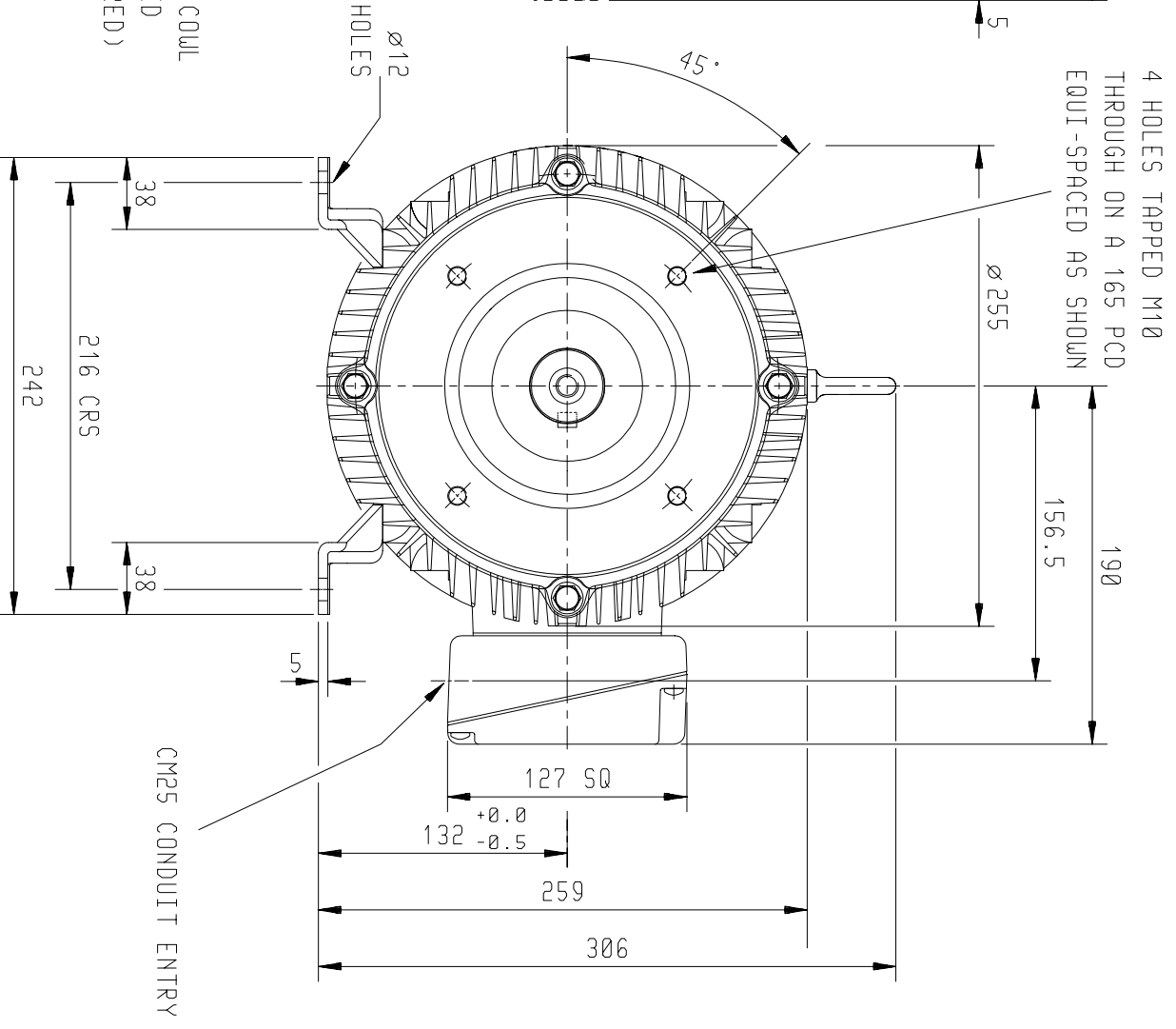
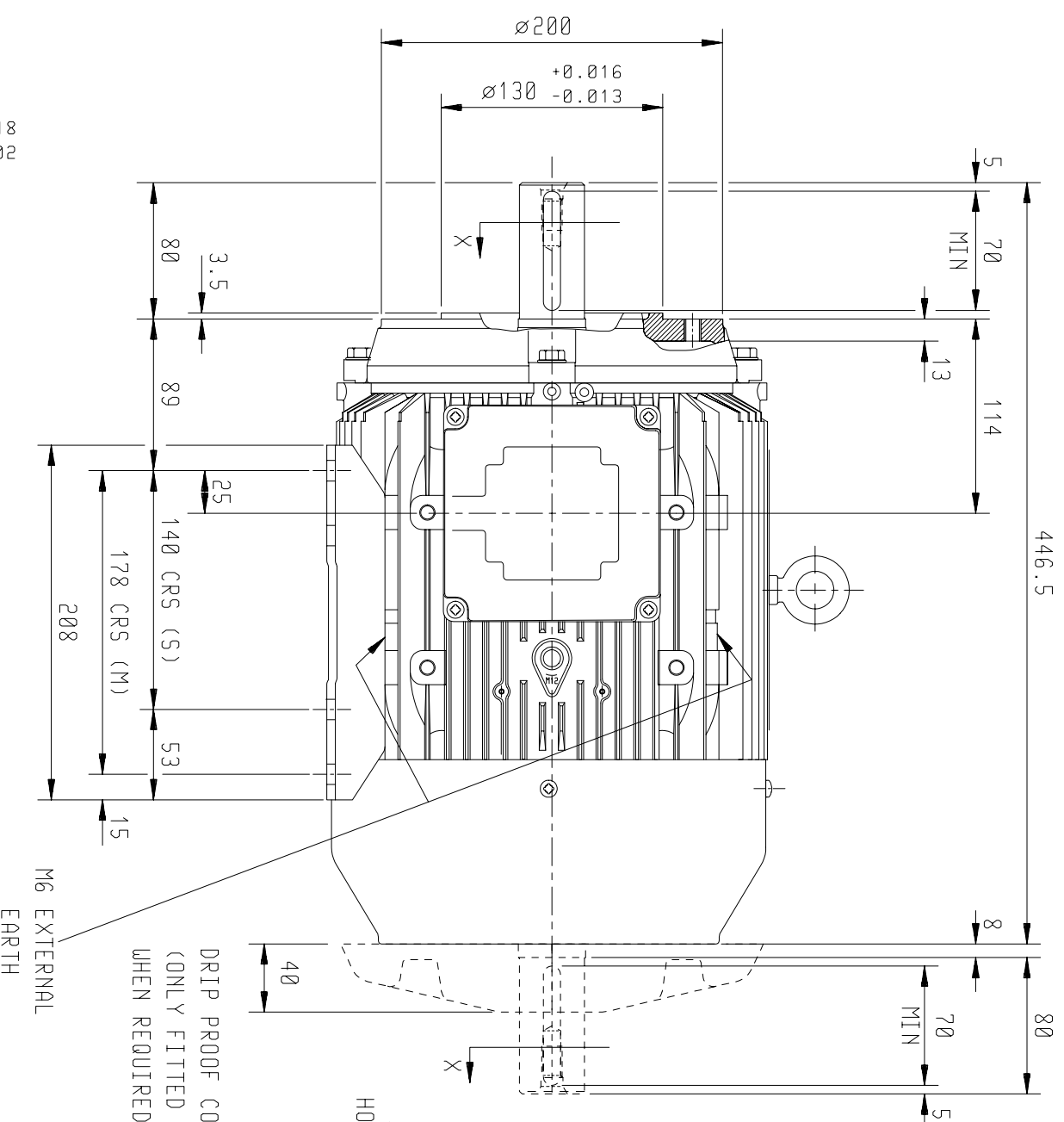
ALL DIMENSIONS IN MILLIMETRES.

FIRST ANGLE PROJECTION



Small Industrial Motors  
 Huddersfield, W. Yorkshire, HD1 3LJ

DRG. No.	W28GD000/5
DRG. REF.	
REVISION:	DH DATE 04/08/03



CARE SHOULD BE TAKEN TO ENSURE THAT THE SCREWS OR STUDS DO NOT EXTEND INSIDE THE MOTOR BEYOND THE DEPTH OF THE TAPPED FIXING HOLE.

TERMINAL BOX POSITION : - CAN BE ARRANGED AT EITHER 9, 12 OR 3 O'CLOCK BY MOVING FEET. STANDARD TERMINAL BOX POSITION IS 3 O'CLOCK AS SHOWN.

CONDUIT ENTRIES:- TERMINAL BOX CAN BE ROTATED AT 90° INTERVALS (CONDUIT ENTRY POSITION SHOWN FOR ILLUSTRATION ONLY).

OUTLINE DIMENSION DRAWING W ALUMINIUM TOTALLY ENCLOSED FAN COOLED

132S/M FRAME 'C' FACE WITH FEET MOUNTED MOTOR

ALL DIMENSIONS IN MILLIMETRES.



**BROOK**  
**BROMPTON**

Small Industrial Motors  
Huddersfield, W. Yorkshire, HD1 3LJ

DRG. No. W28GC000/4

DRG. REF.

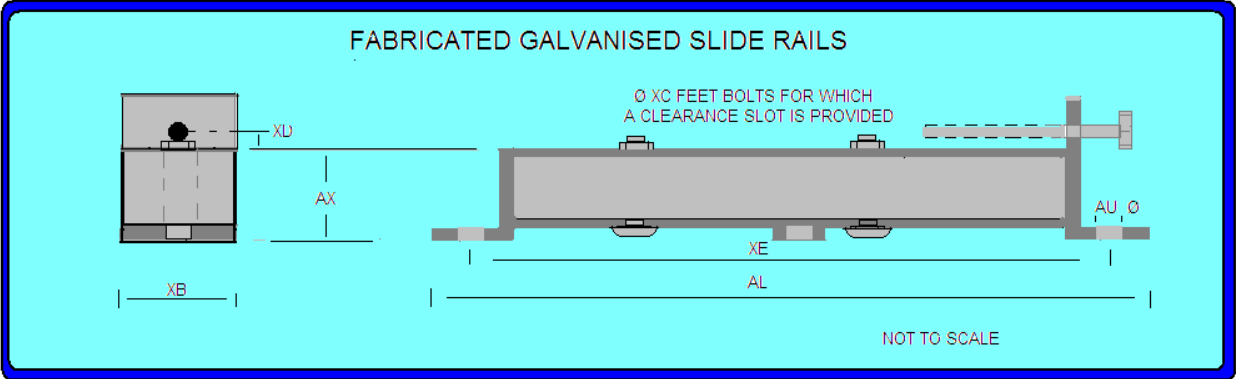
REVISION: DH DATE 04/08/03

SHEET SIZE A3

NAME	DATE
DRAWN MI	22-08-95
CHECKED JWD	22-08-95
SCALE	1 : 4



# Slide Rails



Code	AL	AU	AX	XB	XD	XE	Bolt Size	Frame Size	BT	XC Motor Foot Bolts
<b>M1013</b>	470	12	44	45	6	430	M10 X 200	100	171	M10 X 60
								112	137	
								132	106	

All data is subject to confirmation by BROOK-MTL

E&OE

BROOK MTL, 63 Allens Road, East Tamaki, Auckland, New Zealand

Associate companies: [Rotating Machinery Supplies](http://rotatingmachinery@clear.net.nz), 6 Devon Road, Hamilton. [rotatingmachinery@clear.net.nz](mailto:rotatingmachinery@clear.net.nz)  
[Soco Electric Motors](mailto:sales@soco.co.nz), 473 Tremaine Ave, Palmerston North. [sales@soco.co.nz](mailto:sales@soco.co.nz)

