



**BS British Standard 1 | General Purpose | High Efficiency | Aluminium  
2 pole 50Hz | 9.3(kW) | W-DA132M**

Performance Data	
Performance Data	Value
Output (kW)	9.3
Pole	2
Full load speed (RPM)	2890
Full Load Torque (Nm)	30.7
Full load current @ 380V (A)	17.0
Full load current @ 400V (A)	16.6
Full load current @ 415V (A)	16.6
Efficiency Full load (%)	89.5
Efficiency 3/4 load (%)	87.0
Efficiency 1/2 load (%)	85.0
Power Factor Full load	0.88
Power factor 3/4 load	0.85
Power Factor 1/2 load	0.80
Direct on line starting torque ratio	2.4
Direct on line starting current ratio	6.0
Direct on line Pull out torque ratio	3.0
Direct on line Pull up torque ratio	1.8
Star Delta starting torque ratio	0.7
Star Delta starting current ratio	2.2
Start Delta Pull up torque star	0.6
Rotor inertia (kgm <sup>2</sup> )	0.025
Mean sound pressure @1m on no load (dB(A))	59

Standard Features	
Feature	Standard Product
Frequency (Hz)	50Hz / 60Hz
Enclosure	IP55 protection
Cooling Method	IC411 TEFV (Totally Enclosed Fan Ventilated)
T-box position	Top
Lubrication	Regreasing facilities available on request
Balance	Grade N
Bearings	Ball/ball C3 clearance
Drain Holes	160 & 180 frame only
Temperature Rise	Class B (80°C)
Insulation Class	Class F (155°C)
Duty Cycle	S1 continuous rated
Earth Facility	Internal and external
Thermal Protection	Available on request

Shaft Loads	
Mounting	Shaft Load (Nm)
Horizontal shaft load towards motor	1355
Horizontal shaft load away motor	1707
Vertical shaft up, load towards motor	1266
Vertical shaft up, load away motor	1838
Vertical shaft down, load towards motor	1486
Vertical shaft down, load away motor	1618
Maximum radial load at end of shaft	2114
Bearing life (hours)	20000

Bearings and Oil Seals	
Feature	Standard Product
Drive end bearing	62082Z
Non-drive end bearing	63052Z
Drive end oil seal	40 x 52 x 7
Non drive end oil seal	25 x 37 x 7
Grease life (horizontal mounting)	30,000
Grease life (vertical mounting)	25,000

Variations to the standard specification can be supplied on request

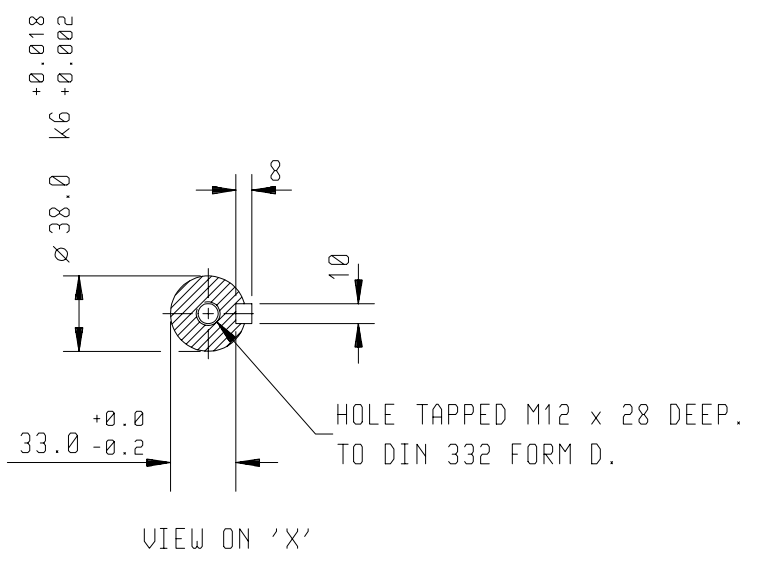
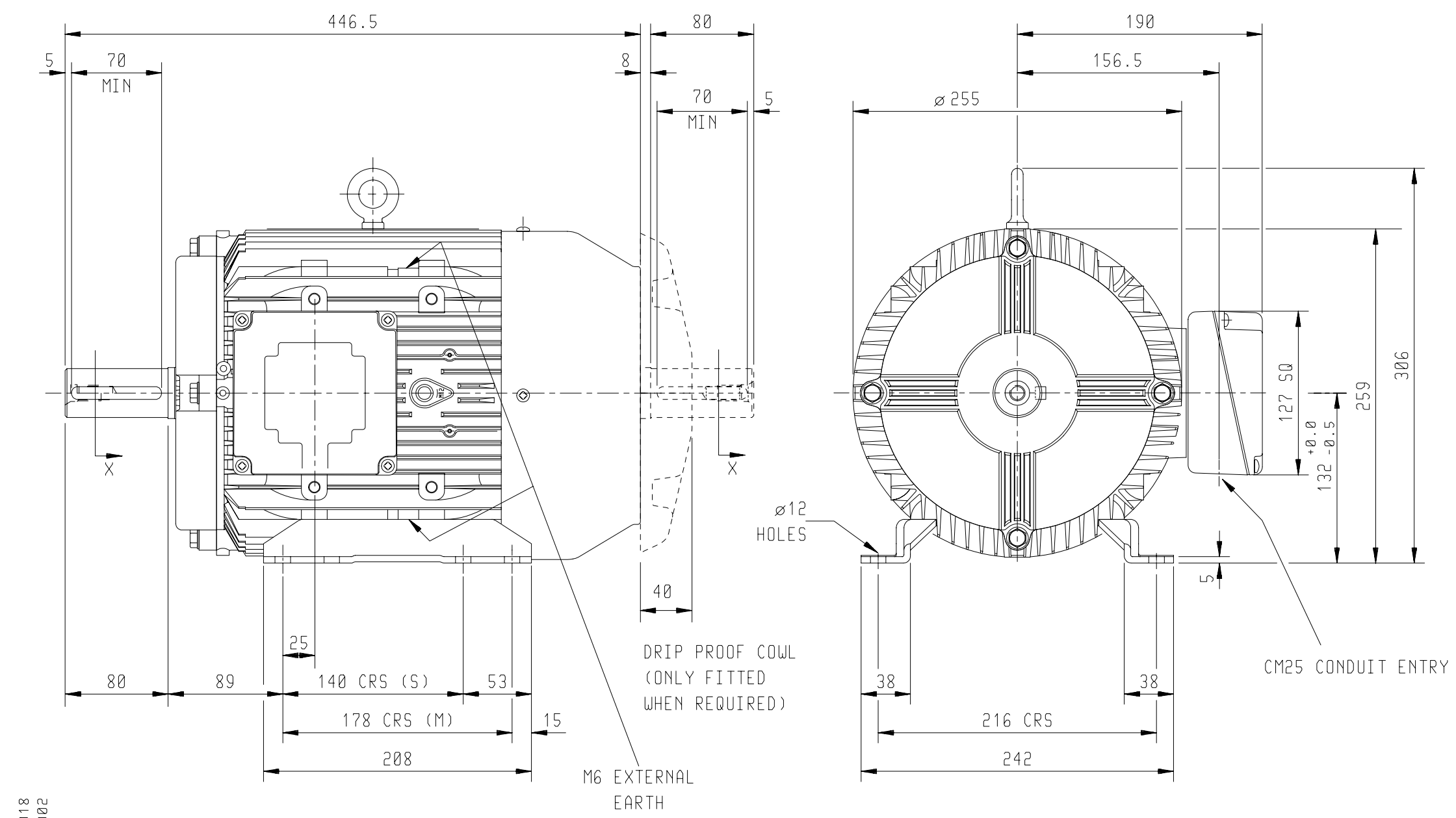
All data is subject to confirmation by BROOK MTL

E&OE

**BROOK-MTL**, 63 Allens Road, East Tamaki, Auckland 2161, New Zealand  
Tel +64 9 271 6063 - Fax +64 9 271 6020 www.brookmtl.co.nz - [info@brookmtl.co.nz](mailto:info@brookmtl.co.nz)

Associate company: [Rotating Machinery Supplies](http://rotatingmachinery@clear.net.nz), 6 Devon Road, Hamilton 3242 [rotatingmachinery@clear.net.nz](http://rotatingmachinery@clear.net.nz)  
[Soco Electric Motors](http://sales@soco.co.nz), 473 Tremaine Ave, Palmerston North 4412 [sales@soco.co.nz](mailto:sales@soco.co.nz)

CUSTOMER.		
ORDER No.		
PART No.		
FRAME SIZE.		
KW.	RPM.	
Hz.	PHASE.	
VOLTS.	POLES.	
BRGS.	DE.	NDE.
MOTOR NETT WT.		Kg.
SPECIAL REMARKS		



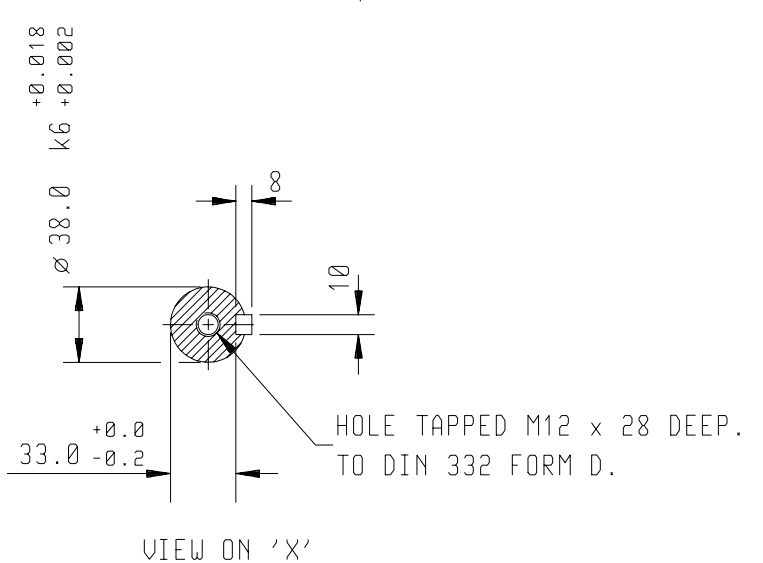
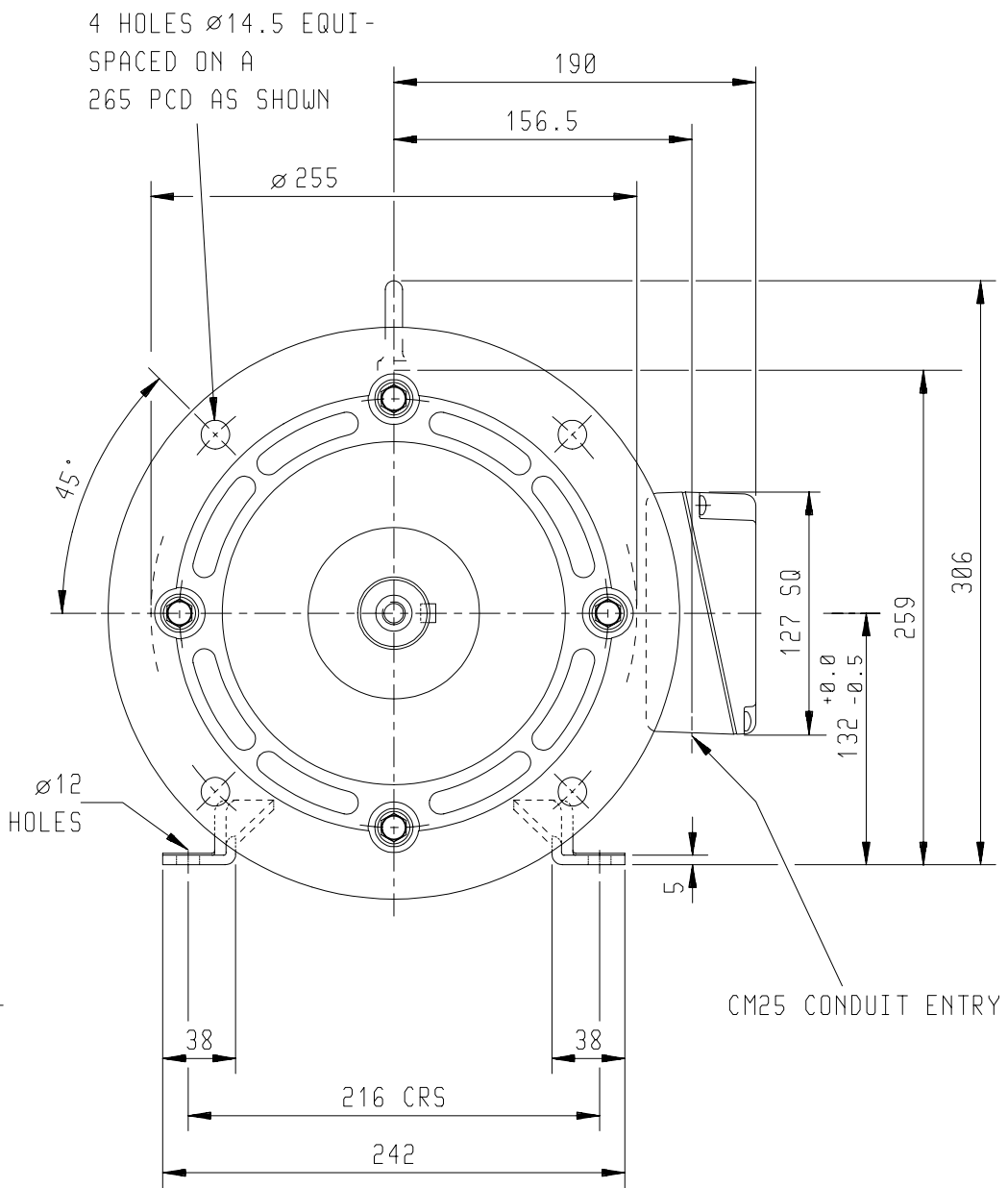
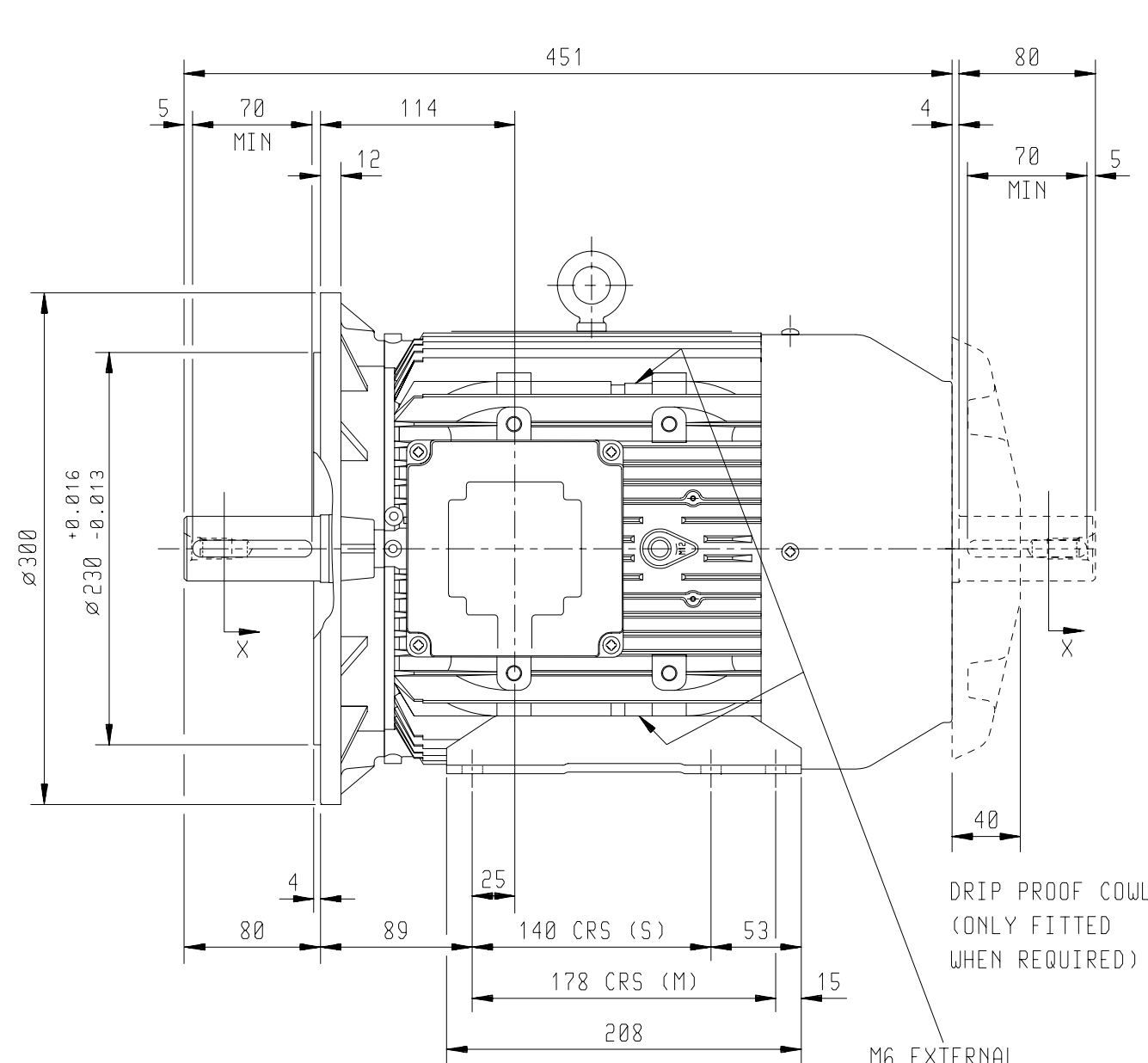
TERMINAL BOX POSITION : - CAN BE ARRANGED AT EITHER 9, 12 OR 3 O'CLOCK BY MOVING FEET. STANDARD TERMINAL BOX POSITION IS 3 O'CLOCK AS SHOWN.  
 CONDUIT ENTRIES:- TERMINAL BOX CAN BE ROTATED AT 90° INTERVALS (CONDUIT ENTRY POSITION SHOWN FOR ILLUSTRATION ONLY).

ALL DIMENSIONS IN MILLIMETRES.  
 FIRST ANGLE PROJECTION

**BROOK CROMPTON**  
 Small Industrial Motors  
 Huddersfield, W. Yorkshire, HD1 3LJ

SHEET SIZE <b>A3</b>	TITLE	OUTLINE DIMENSION DRAWING W ALUMINIUM TOTALLY ENCLOSED FAN COOLED 132S/M FRAME FOOT MOUNTED MOTOR	NAME	DATE
			DRAWN	MI 22-08-95
			CHECKED	JWD 22-08-95
			SCALE	1 : 4

DRG. No.	W28GF000/3		
DRG. REF.			
REVISION:	DH	DATE	04/08/03



TERMINAL BOX POSITION : - CAN BE ARRANGED AT EITHER 9, 12 OR 3 O'CLOCK BY MOVING FEET. STANDARD TERMINAL BOX POSITION IS 3 O'CLOCK AS SHOWN.  
 CONDUIT ENTRIES:- TERMINAL BOX CAN BE ROTATED AT 90° INTERVALS (CONDUIT ENTRY POSITION SHOWN FOR ILLUSTRATION ONLY).

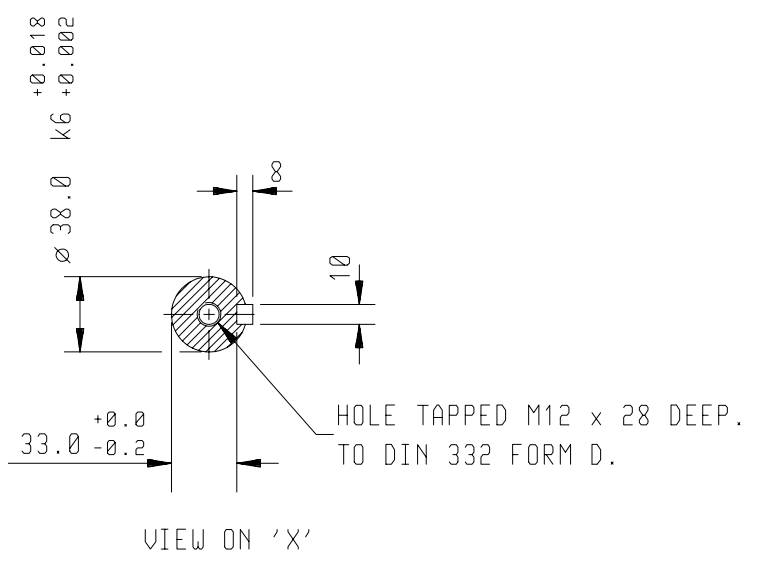
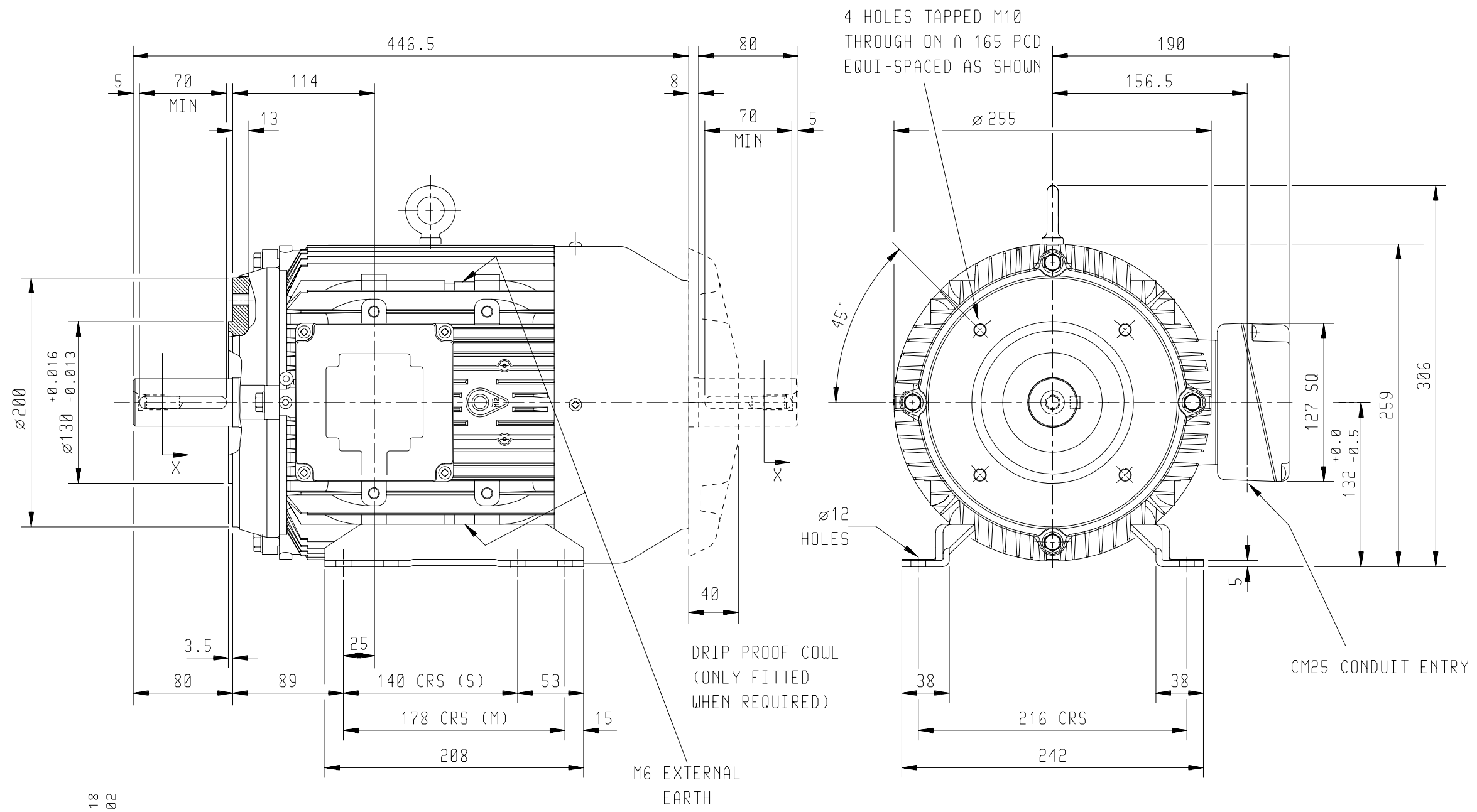
CUSTOMER		
ORDER No.		
PART No.		
OUR ORDER No.		
FRAME SIZE		
KW.	RPM.	
Hz	PHASE	
VOLTS	POLES	
BRGS.	DE.	NDE.
MOTOR NETT WT.		Kg.
SPECIAL REMARKS		

ALL DIMENSIONS IN MILLIMETRES.  
 FIRST ANGLE PROJECTION

**BROOK CROMPTON**  
 Small Industrial Motors  
 Huddersfield, W.Yorkshire, HD1 3LJ

SHEET SIZE <b>A3</b>	TITLE	OUTLINE DIMENSION DRAWING W ALUMINIUM TOTALLY ENCLOSED FAN COOLED 132S/M FRAME FOOT AND 'D' FLANGE MOUNTED MOTOR	NAME	DATE
			DRAWN	MI 22-08-95
			CHECKED	JWD 22-08-95
			SCALE	1 : 4

DRG. No.	W28GD000/5		
DRG. REF.			
REVISION:	DH	DATE	04/08/03



CARE SHOULD BE TAKEN TO ENSURE THAT THE SCREWS OR STUDS DO NOT EXTEND INSIDE THE MOTOR BEYOND THE DEPTH OF THE TAPPED FIXING HOLE.  
 TERMINAL BOX POSITION : - CAN BE ARRANGED AT EITHER 9, 12 OR 3 O'CLOCK BY MOVING FEET. STANDARD TERMINAL BOX POSITION IS 3 O'CLOCK AS SHOWN.  
 CONDUIT ENTRIES:- TERMINAL BOX CAN BE ROTATED AT 90° INTERVALS (CONDUIT ENTRY POSITION SHOWN FOR ILLUSTRATION ONLY).

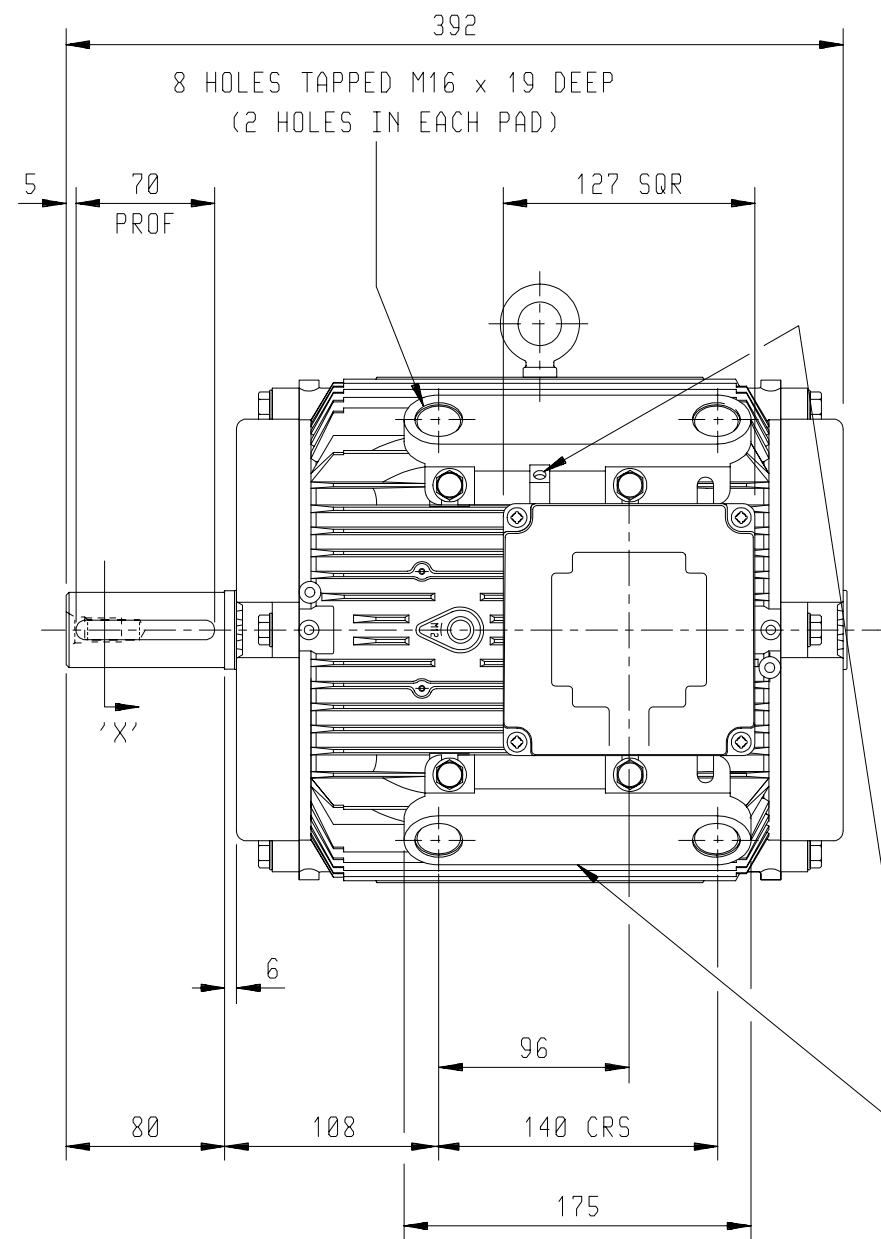
CUSTOMER		
ORDER No.		
PART No.		
OUR ORDER No.		
FRAME SIZE		
KW.	RPM.	
Hz	PHASE	
VOLTS	POLES	
BRGS.	DE.	NDE.
MOTOR NETT WT.		Kg.
SPECIAL REMARKS		

ALL DIMENSIONS IN MILLIMETRES.  
 FIRST ANGLE PROJECTION

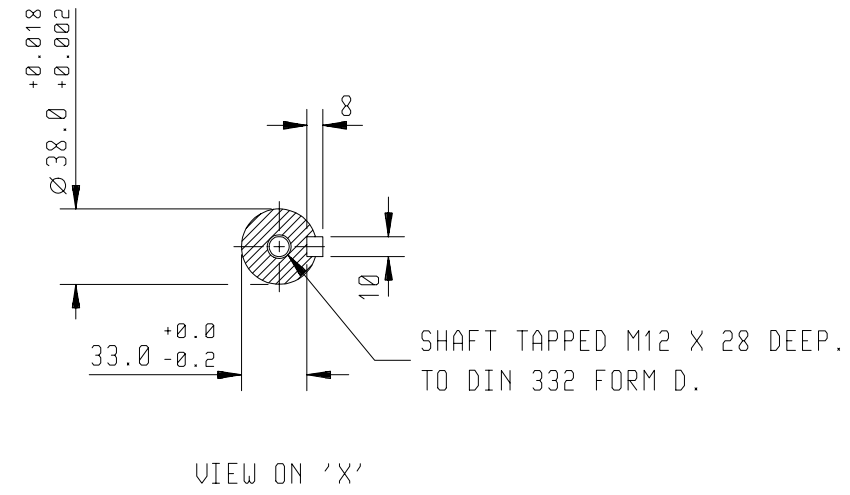
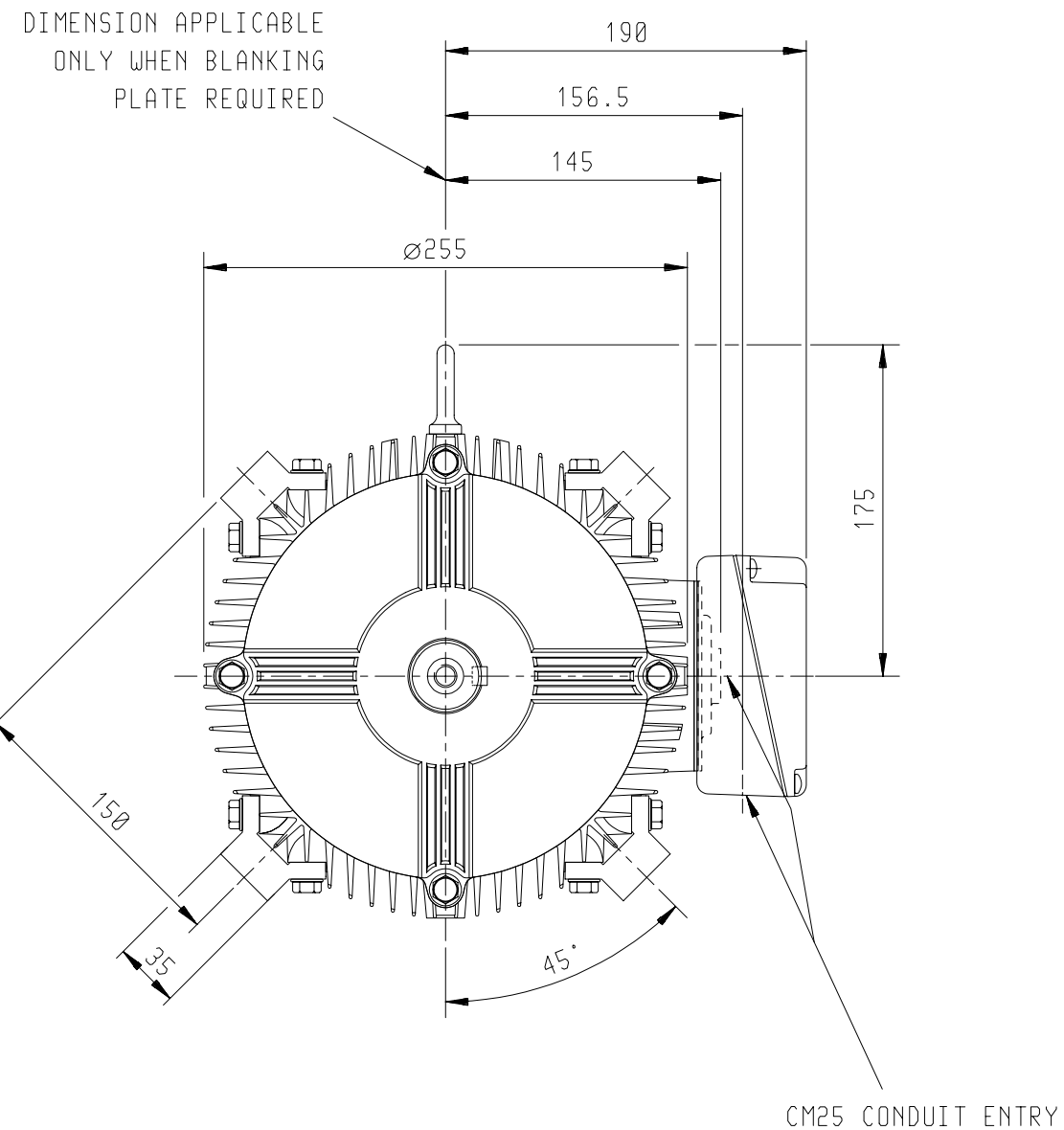
**BROOK CROMPTON**  
 Small Industrial Motors  
 Huddersfield, W. Yorkshire, HD1 3LJ

SHEET SIZE <b>A3</b>	TITLE	NAME	DATE
	OUTLINE DIMENSION DRAWING W ALUMINIUM TOTALLY ENCLOSED FAN COOLED	MI	22-08-95
	132S/M FRAME 'C' FACE WITH FEET MOUNTED MOTOR	JWD	22-08-95
		SCALE	1 : 4

DRG. No.	W28GC000/4
DRG. REF.	
REVISION:	DH
DATE	04/08/03



M6 EXTERNAL EARTH



TERMINAL BOX POSITION:- CAN BE ARRANGED AT EITHER 9,12 OR 3 O'CLOCK. STANDARD TERMINAL BOX POSITION IS 3 O'CLOCK AS SHOWN.  
 CONDUIT ENTRIES:- TERMINAL BOX CAN BE ROTATED AT 90° INTERVALS (CONDUIT ENTRY POSITION SHOWN FOR ILLUSTRATION ONLY).

CUSTOMER		
ORDER No.		
PART No.		
OUR ORDER No.		
FRAME SIZE		
KW.	RPM.	
Hz	PHASE	
VOLTS	POLES	
BRGS.	DE.	NDE.
MOTOR NETT WT.		Kg.
SPECIAL REMARKS		

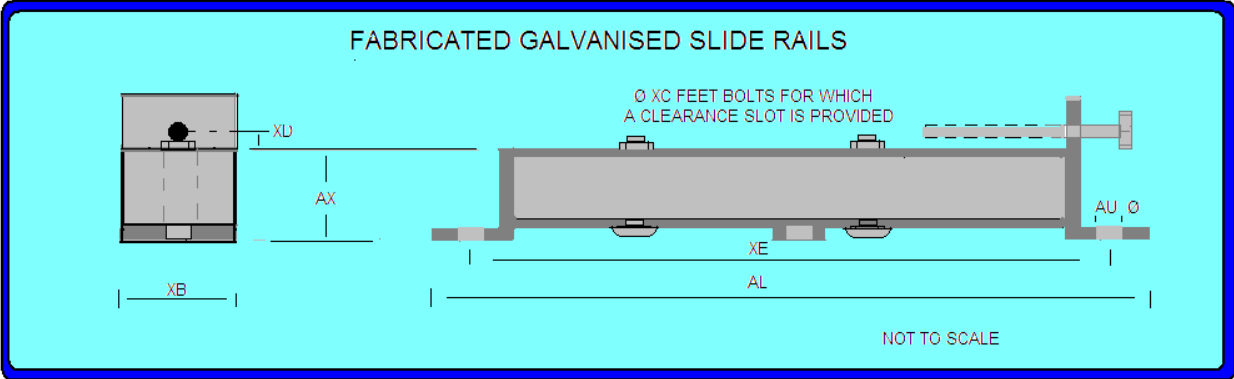
ALL DIMENSIONS IN MILLIMETRES.  
 FIRST ANGLE PROJECTION

**BROOK CROMPTON**  
 Small Industrial Motors  
 Huddersfield, W.Yorkshire, HD1 3LJ

SHEET SIZE <b>A3</b>	TITLE	OUTLINE DIMENSION DRAWING W ALUMINIUM TOTALLY ENCLOSED NO FAN 132S/M FRAME PAD MOUNTED MOTOR
	DRAWN	MI 20-09-94
	CHECKED	JWD 20-09-94
	SCALE	1:4

DRG. No.	W28GP000/3		
DRG. REF.			
REVISION:	DH	DATE	05/08/03

# Slide Rails



Code	AL	AU	AX	XB	XD	XE	Bolt Size	Frame Size	BT	XC Motor Foot Bolts
<b>M1013</b>	470	12	44	45	6	430	M10 X 200	100	171	M10 X 60
								112	137	
								132	106	

All data is subject to confirmation by BROOK-MTL

E&OE

BROOK MTL, 63 Allens Road, East Tamaki, Auckland, New Zealand

Associate companies: [Rotating Machinery Supplies](mailto:rotatingmachinery@clear.net.nz), 6 Devon Road, Hamilton. [rotatingmachinery@clear.net.nz](mailto:rotatingmachinery@clear.net.nz)  
[Soco Electric Motors](mailto:sales@soco.co.nz), 473 Tremaine Ave, Palmerston North. [sales@soco.co.nz](mailto:sales@soco.co.nz)

