



Specific marking
for protection
against explosions
Directive 94/9/EC.

Three-Phase Single Speed Flameproof Motors
II 2G EEx d IIB T4, IP55, Thermistors fitted as standard

3000 min⁻¹ 2 poles 50 Hz

Frame Size	Pn kW	Pn Hp	n min ⁻¹	Inom A	cosφ	η %	Mn Nm	Mm/Mn	J Kgm ²	Weight Kg
63A	0.18	0.25	2857	0.75	0.57	63	0.63	3.8	0.0001	16
63B	0.25	0.35	2805	0.85	0.66	66	0.85	3.7	0.0001	16
71A	0.37	0.5	2800	1.10	0.77	62	1.26	2.6	0.0004	19
71B	0.55	0.75	2830	1.4	0,80	71	1.85	2,7	0.0004	19

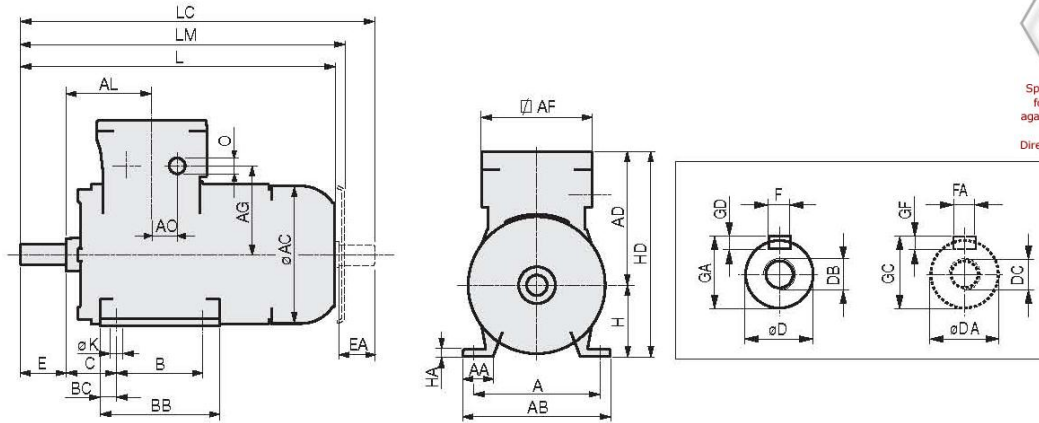
1500 min⁻¹ 4 poles 50 Hz

Frame Size	Pn kW	Pn Hp	n min ⁻¹	Inom A	cosφ	η %	Mn Nm	Mm/Mn	J Kgm ²	Weight Kg
63A	0.12	0.17	1380	0.62	0.55	58	0.93	2.5	0.0002	16
63B	0.18	0.25	1340	0.67	0.65	62	1.28	2.5	0.0002	16
71A	0.25	0.35	1372	0.80	0.78	60	1.72	2.6	0.0006	19
71B	0.37	0.5	1390	1.10	0.72	69	2.53	2.7	0.0009	19
80A	0.55	0.75	1380	1.6	0,71	69	3.86	2,5	0.0009	26

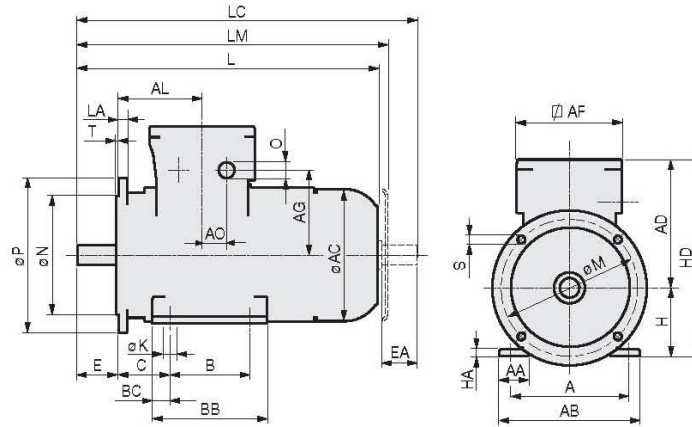


Specific marking
for protection
against explosions
Directive 94/9/EC.

DIMENSION Foot Mount (B6-B7-B8-V5-V6)



DIMENSION Flange Mount B5 (V1-V3)



Frame Size	A	AA	AB	∅AC	AD	AF	AL	B	BC	BB	C	H	⁰ _{0.5}	HA	HD	K	L	LC
63	100	25	125	123	145	139	95	80	9.5	105	40	63	6	208	7	247	275.5	
71	112	32	140	140	155	139	106	90	11.0	112	45	71	7	226	7	276	311.0	
80	125	40	160	158	165	139	142	100	15.0	130	50	80	8	245	9	327	372.5	
90S	140	45	175	178	175	139	125	100	14.0	157	56	90	9	265	9	390	441.0	
90L	140	45	175	178	175	139	125	125	14.0	157	56	90	9	265	9	390	441.0	
100	160	45	200	196	185	139	125	140	15.0	170	63	100	10	285	12	430	490.5	

Frame Size	* LM	AO	IEC 423 η _r xO	AG	∅D	E	F	GA	GD	DB	LA	∅M	∅N	∅P	S	T
					∅DA	EA	FA	GC	GF	DC						
63	275	24	1xM25	100	11j6	23	4	12.5	4	M4	6.5	115	95j6	140	10	3.0
71	305	24	1xM25	110	14j6	30	5	16.0	5	M5	6.5	130	110j6	160	10	3.5
80	356	24	1xM25	120	19j6	40	6	21.5	6	M6	11.0	165	130j6	200	12	3.5
90S	418	24	1xM25	130	24j6	50	8	27.0	7	M8	12.0	165	130j6	200	12	3.5
90L	418	24	1xM25	130	24j6	50	8	27.0	7	M8	12.0	165	130j6	200	12	3.5
100	458	24	1xM25	140	28j6	60	8	31.0	7	M10	14.0	215	180j6	250	15	4.0

* Rain canopy: only when vertical shaft-down mounting

All data is subject to confirmation by BROOK-MTL

E&OE

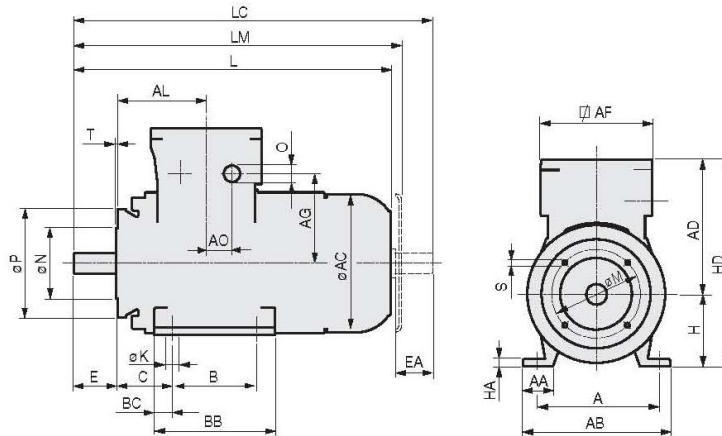
BROOK-MTL, 63 Allens Road, East Tamaki, Auckland, New Zealand

Tel +64 9 271 6063 - Fax +64 9 271 6020 - www.brookmtl.co.nz - info@brookmtl.co.nz

Associate company: Rotating Machinery Supplies, 6 Devon Road, Hamilton rotatingmachinery@clear.net.nz



DIMENSION Flange Mount B14 (V18-V19)



Frame Size	A	AA	AB	∅AC	AD	AF	AL	B	BC	BB	C	H	⁰ / _{0.5}	HA	HD	K	L	LC
63	100	25	125	123	145	139	95	80	9.5	105	40	63	6	208	7	247	275.5	
71	112	32	140	140	155	139	106	90	11.0	112	45	71	7	226	7	276	311.0	
80	125	40	160	158	165	139	142	100	15.0	130	50	80	8	245	9	327	372.5	
90S	140	45	175	178	175	139	125	100	14.0	157	56	90	9	265	9	390	441.0	
90L	140	45	175	178	175	139	125	125	14.0	157	56	90	9	265	9	390	441.0	
100	160	45	200	196	185	139	125	140	15.0	170	63	100	10	285	12	430	490.5	

Frame Size	* LM	AO	IEC 423	AG	∅D	E	F	GA	GD	DB	∅M	∅N	∅P	S	T
	_{η,xO}	∅DA	EA		FA	GC	GF	DC							
63	275	24	1xM25	100	11j6	23	4	12.5	4	M4	75	60j6	95	M5	2.5
71	305	24	1xM25	110	14j6	30	5	16.0	5	M5	85	70j6	105	M6	2.5
80	356	24	1xM25	120	19j6	40	6	21.5	6	M6	100	80j6	120	M6	3.0
90S	418	24	1xM25	130	24j6	50	8	27.0	7	M8	115	95j6	140	M8	3.0
90L	418	24	1xM25	130	24j6	50	8	27.0	7	M8	115	95j6	140	M8	3.0
100	458	24	1xM25	140	28j6	60	8	31.0	7	M10	130	110j6	160	M8	3.5

* Rain canopy: only when vertical shaft-down mounting