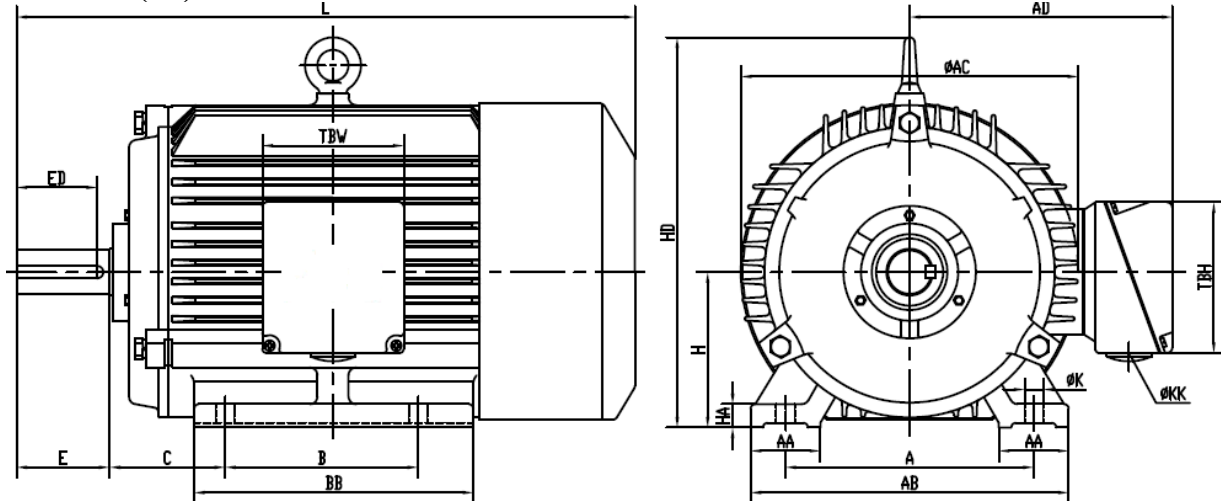


DG PREMIUM RANGE

With our policy of constantly upgrading and improving the BROOK-MTL product range, up to date technical data sheets are readily available via our 'Contact Us' link

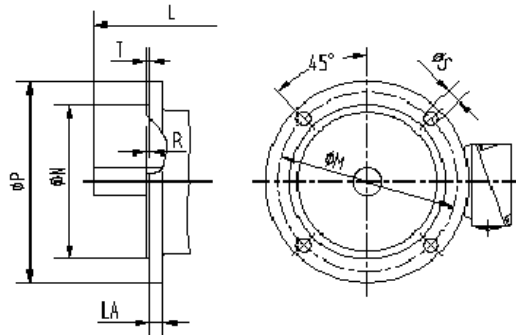
Foot Mount (B3)



Frame Size	A	B	C	E	H	K	L	AA	AB	AC	AD	BB	HD	Terminal Box		KK
														TBW	TBH	
DG132S	216	140	89	80	132	12	480	55	270	290	235	210	335	110	120	2-M25X1.5

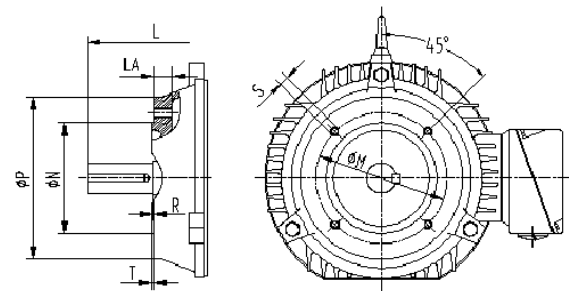
SEE SHAFT DETAILS AT BOTTOM OF PAGE

Flange B5



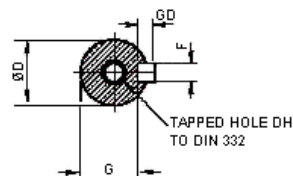
Frame Size	M	N	P	S	T	LA
DG132S	265	230	300	4X14.5	4	14

Flange B14



Frame Size	M	N	P	S	T	LA
DG132S	165	130	200	4XM10	3.5	16

Shaft



Frame Size	D	E	F	G	GD	ED	DH
DG132S	38	80	10	33	8	56	M12

Bearing

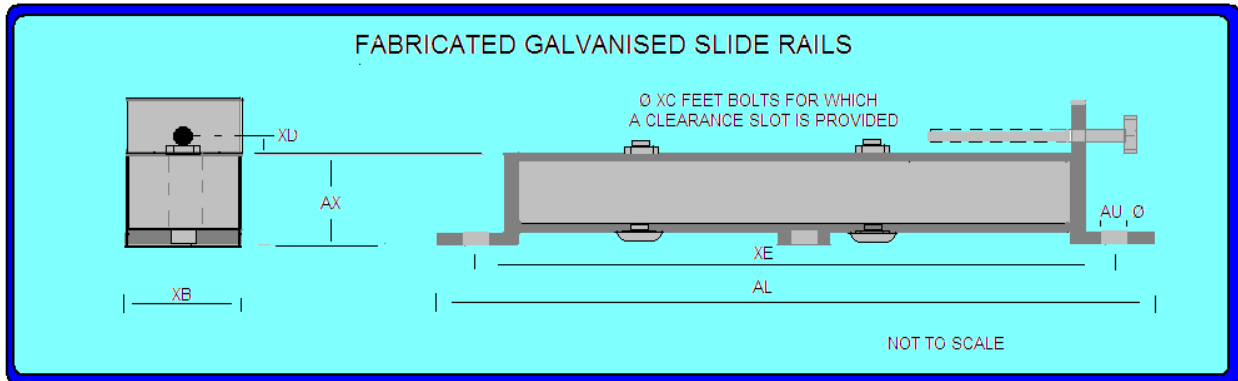
Frame Size	Drive End (DE)	Non Drive End (NDE)
DG132S	6208-2Z	6208-2Z

All data is subject to confirmation by BROOK-MTL

BROOK-MTL, 63 Allens Road, East Tamaki, Auckland, New Zealand
Tel +64 9 271 6063 - Fax +64 9 271 6020 - www.brookmtl.co.nz - info@brookmtl.co.nz

Associate company: Rotating Machinery Supplies, 6 Devon Road, Hamilton rotatingmachinery@clear.net.nz

Slide Rails



Code	AL	AU	AX	XB	XD	XE	Bolt Size	Frame Size	BT	XC Motor Foot Bolts
M1013	470	12	44	45	6	430	M10 X 200	100 112 132	171 137 106	M10 X 60

Variable Speed Drive



EI-650 SERIES 0.75KW,1.1KW,1.5KW,2.2KW,3KW,4KW,5.5KW,7.5KW (1HP,2HP,3HP,5HP,7HP,10HP)

A truly versatile variable speed drive with extensive programming functions for the more complex industrial drive applications. Programmable input and output terminals are provided to add to its flexibility. Three phase inputs from 380V-400V, 50Hz or 60Hz, with a capability of 400Hz out.