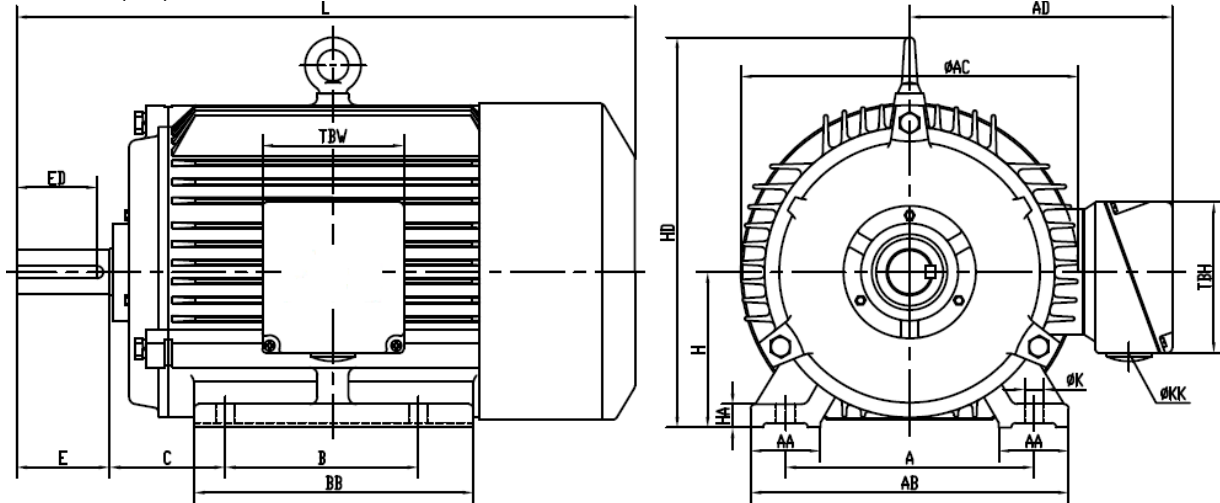


DG PREMIUM RANGE

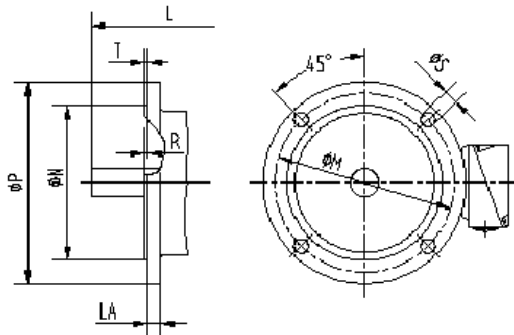
With our policy of constantly upgrading and improving the BROOK-MTL product range, up to date technical data sheets are readily available via our 'Contact Us' link

Foot Mount (B3)

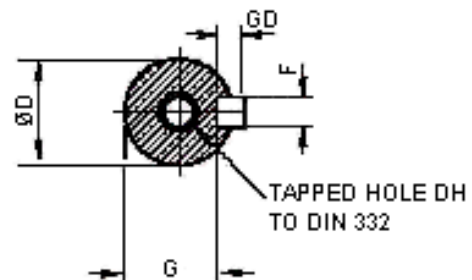


Frame Size	A	B	C	E	H	K	L	AA	AB	AC	AD	BB	HD	Terminal Box		KK
														TBW	TBH	
DG180M	279	241	121	110	180	14.5	700	70	355	355	285	315	430	150	160	M40X1.5+M25X1.5

Flange B5



Shaft



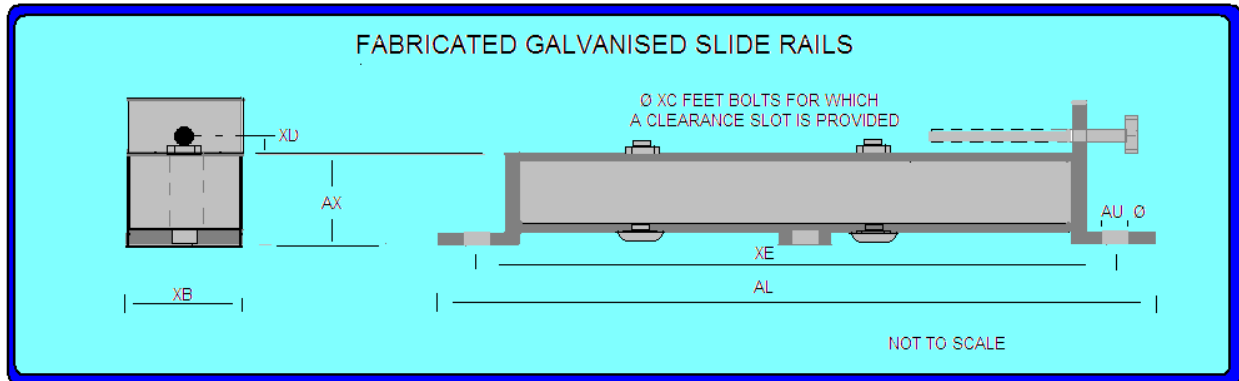
Frame Size	M	N	P	S	T	LA
DG180M	300	250	350	4X18.5	5	15

Frame Size	D	E	F	G	GD	ED	DH
DG180M	48	110	14	42.5	9	80	M16

Bearing

Frame Size	Drive End (DE)	Non Drive End (NDE)
DG180M-2P	6211	6211
DG180M-4/6/8P	6311	6211

Slide Rails



Code	AL	AU	AX	XB	XD	XE	Bolt Size	Frame Size	BT	XC Motor Foot Bolts
M1618	615	15	64	57	10	565	M12 X 220	160 180	160 125	M12 X 80

Variable Speed Drive



EI-650 SERIES - 11KW,15KW (15HP,20HP)

A truly versatile variable speed drive with extensive programming functions for the more complex industrial drive applications. Programmable input and output terminals are provided to add to its flexibility. Three phase inputs from 380V-400V, 50Hz or 60Hz, with a capability of 400Hz out.



EI-SUPER N SERIES 22KW (30HP)

A robust and versatile drive giving smooth operation, precise control and powerful functionality. The Super N combines four control methods.

- ~ Open loop vector
- ~ Flux vector
- ~ V/F control with P.G. feedback
- ~ V/F control

Available 380V-400V, 3 phase, 1HP . 1200 HP