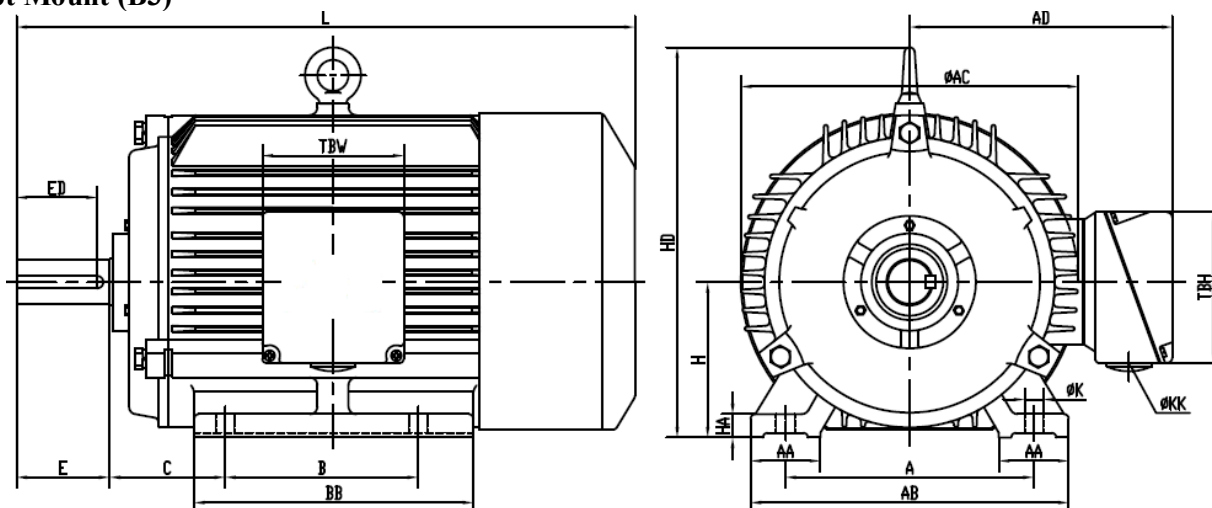




## DG PREMIUM RANGE

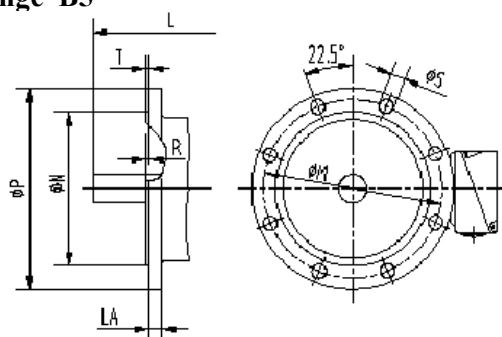
With our policy of constantly upgrading and improving the BROOK-MTL product range, up to date technical data sheets are readily available via our 'Contact Us' link

### Foot Mount (B3)



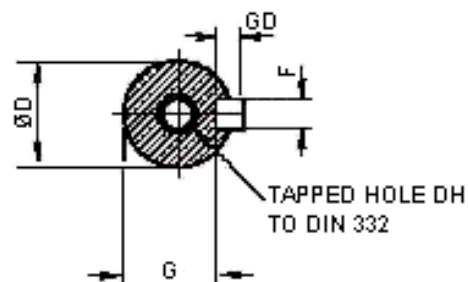
Frame Size	A	B	C	H	K	L	AA	AB	AC	AD	BB	HD	Terminal Box		KK
													TBW	TBH	
DG225M	356	311	149	225	18.5	845	75	435	450	340	400	535	190	215	M50X1.5+M25X1.5

### Flange B5



Frame Size	M	N	P	S	T	LA
DG225M	400	350	450	8X18.5	5	20

### Shaft

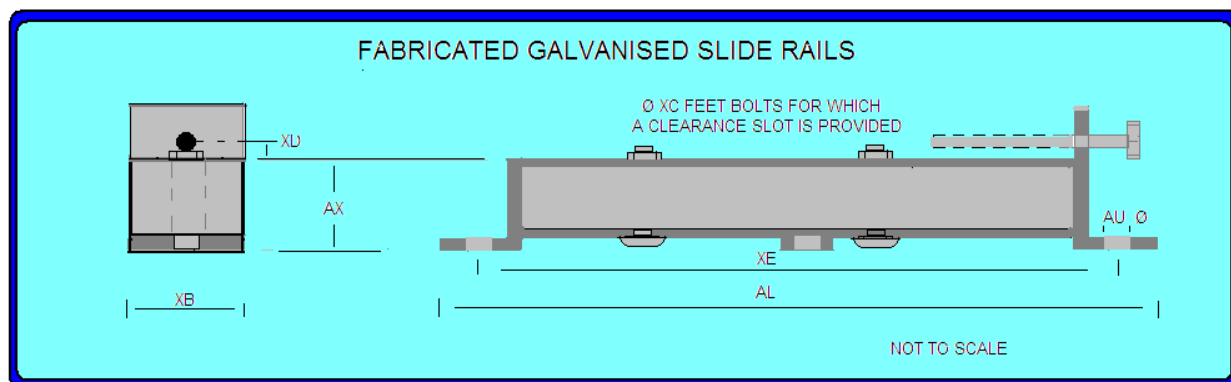


Frame Size	D	E	F	G	GD	ED	DH
DG225M-2P	55	110	16	49	10	80	M20

### Bearing

Frame Size	Drive End (DE)	Non Drive End (NDE)
DG225M-2P	6312	6312

## Slide Rails



Code	AL	AU	AX	XB	XD	XE	Bolt Size	Frame Size	BT	XC Motor Foot Bolts
M2022	785	19	82	82	12	725	M16 X 280	200 225	210 140	M16 X 110

## Variable Speed Drive



### EI-SUPER N SERIES 22KW,30KW,37KW,45KW,55KW,75KW(30HP,40HP,50HP,60HP,75HP,100HP)

A robust and versatile drive giving smooth operation, precise control and powerful functionality. The Super N combines four control methods.

- ~ Open loop vector
- ~ Flux vector
- ~ V/F control with P.G. feedback
- ~ V/F control

Available 380V-400V, 3 phase, 1HP . 1200 HP