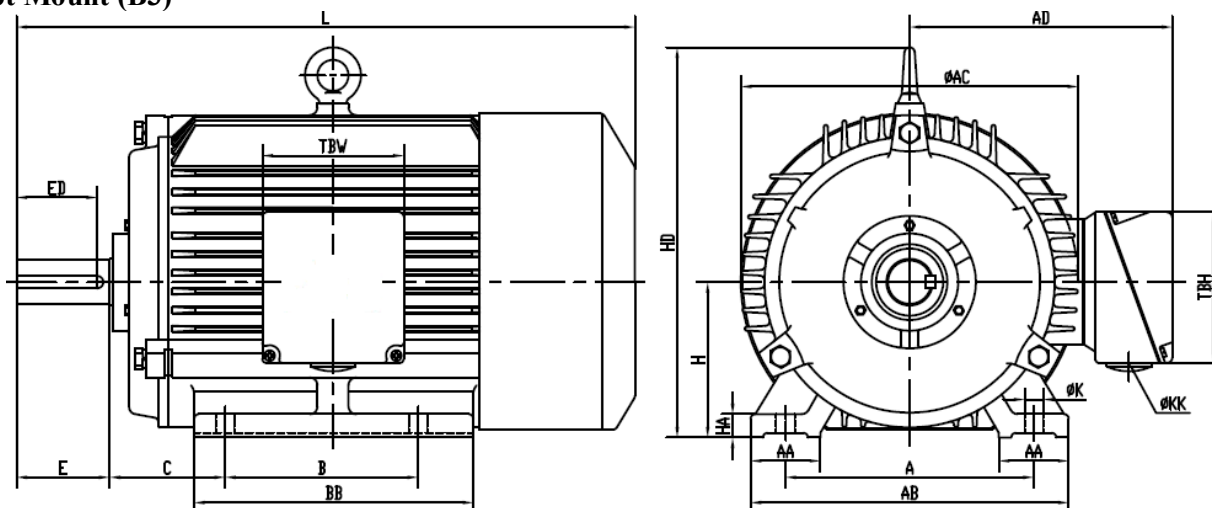




DG PREMIUM RANGE

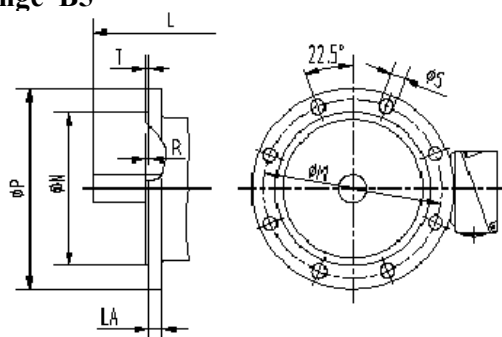
With our policy of constantly upgrading and improving the BROOK-MTL product range, up to date technical data sheets are readily available via our 'Contact Us' link

Foot Mount (B3)



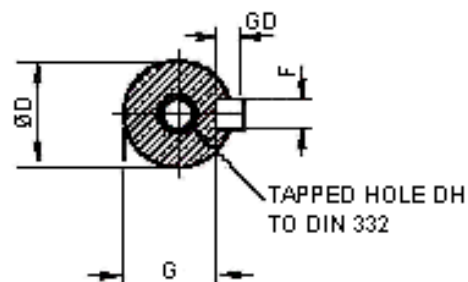
| Frame Size | A | B | C | H | K | L | AA | AB | AC | AD | BB | HD | Terminal Box | | KK |
|------------|-----|-----|-----|-----|------|-----|----|-----|-----|-----|-----|-----|--------------|-----|-----------------|
| | | | | | | | | | | | | | TBW | TBH | |
| DG225S | 356 | 286 | 149 | 225 | 18.5 | 820 | 75 | 435 | 450 | 340 | 375 | 535 | 190 | 215 | M50X1.5+M25X1.5 |

Flange B5



| Frame Size | M | N | P | S | T | LA |
|------------|-----|-----|-----|--------|---|----|
| DG225S | 400 | 350 | 450 | 8X18.5 | 5 | 20 |

Shaft

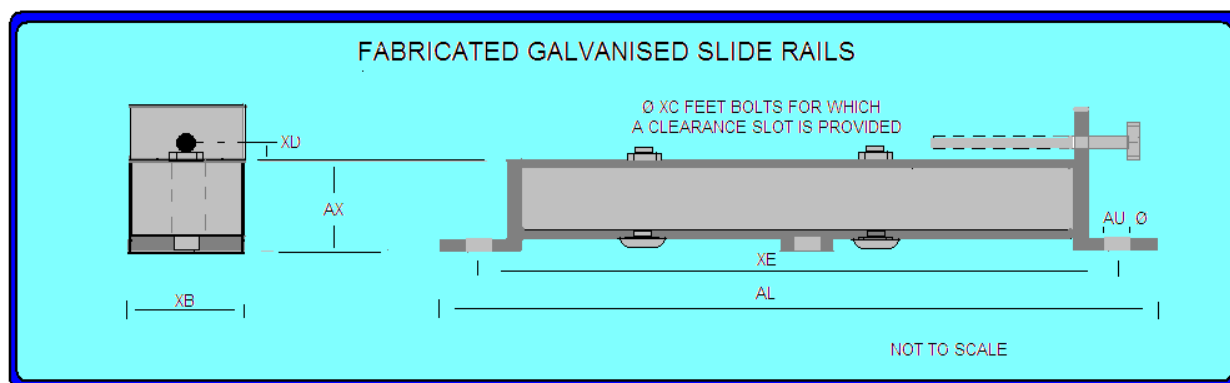


| Frame Size | D | E | F | G | GD | ED | DH |
|---------------|----|-----|----|----|----|-----|-----|
| DG225S-4/6/8P | 60 | 140 | 18 | 53 | 11 | 110 | M20 |

Bearing

| Frame Size | Drive End (DE) | Non Drive End (NDE) |
|---------------|----------------|---------------------|
| DG225S-4/6/8P | 6313 | 6312 |

Slide Rails



| Code | AL | AU | AX | XB | XD | XE | Bolt Size | Frame Size | BT | XC Motor Foot Bolts |
|-------|-----|----|----|----|----|-----|-----------|------------|------------|---------------------|
| M2022 | 785 | 19 | 82 | 82 | 12 | 725 | M16 X 280 | 200 225 | 210 140 | M16 X 110 |

Variable Speed Drive



EI-SUPER N SERIES 22KW,30KW,37KW,45KW,55KW,75KW(30HP,40HP,50HP,60HP,75HP,100HP)

A robust and versatile drive giving smooth operation, precise control and powerful functionality. The Super N combines four control methods.

- ~ Open loop vector
- ~ Flux vector
- ~ V/F control with P.G. feedback
- ~ V/F control

Available 380V-400V, 3 phase, 1HP . 1200 HP

All data is subject to confirmation by BROOK-MTL

BROOK-MTL, 63 Allens Road, East Tamaki, Auckland, New Zealand
Tel +64 9 271 6063 - Fax +64 9 271 6020 - www.brookmtl.co.nz - info@brookmtl.co.nz

Associate company: Rotating Machinery Supplies, 6 Devon Road, Hamilton rotatingmachinery@clear.net.nz

E&OE