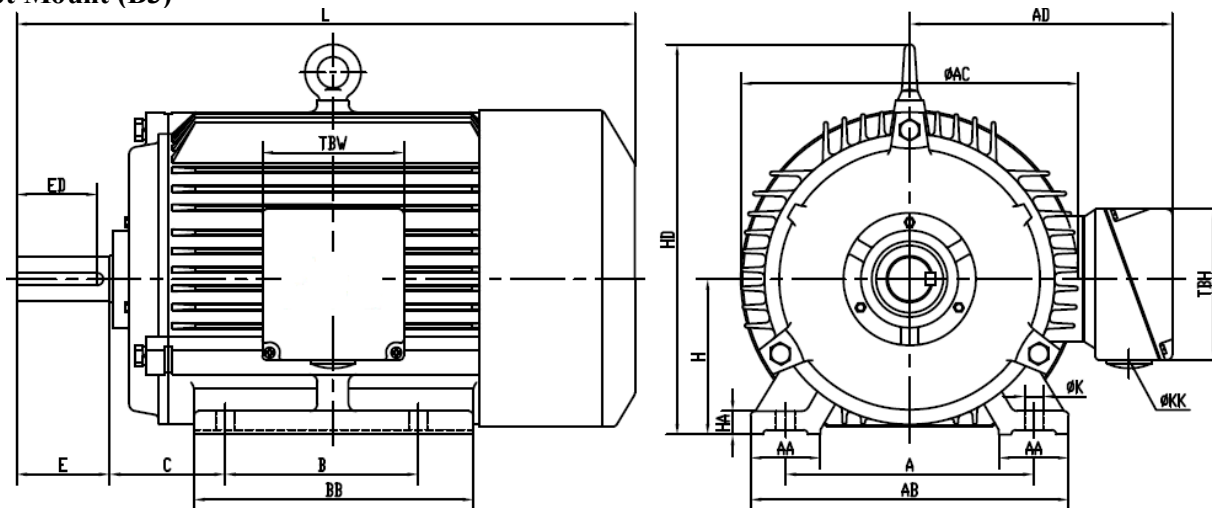


## DG PREMIUM RANGE

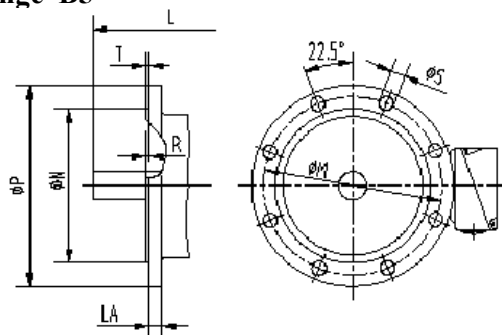
With our policy of constantly upgrading and improving the BROOK-MTL product range, up to date technical data sheets are readily available via our 'Contact Us' link

### Foot Mount (B3)



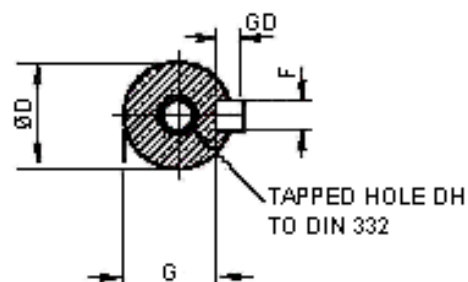
Frame Size	A	B	C	H	K	L	AA	AB	AC	AD	BB	HD	Terminal Box		KK
													TBW	TBH	
DG250M	406	349	168	250	24	915	80	490	500	370	450	580	220	250	M50X1.5+M25X1.5

### Flange B5



Frame Size	M	N	P	S	T	LA
DG250M	500	450	550	8X18.5	5	22

### Shaft

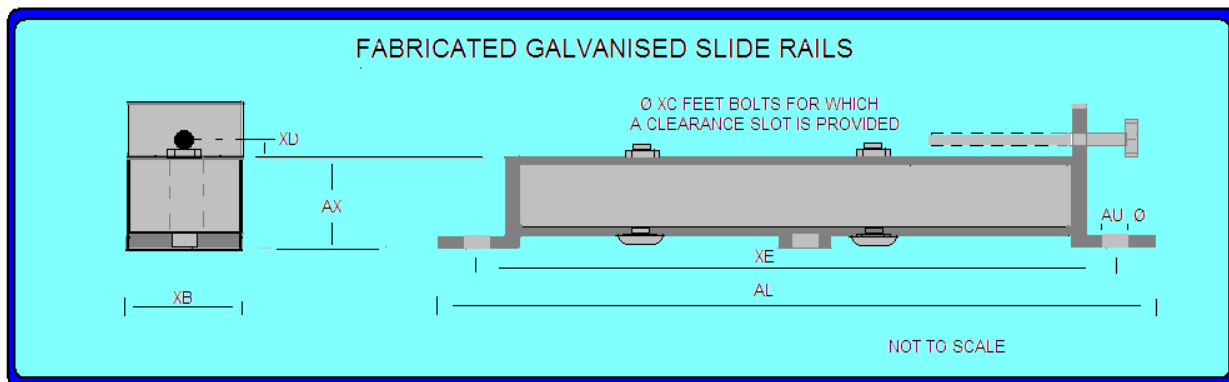


Frame Size	D	E	F	G	GD	ED	DH
DG250M-4/6/8P	70	140	20	62.5	12	110	M20

### Bearing

Frame Size	Drive End (DE)	Non Drive End (NDE)
DG250M-4/6/8P	6315	6313

## Slide Rails



Code	AL	AU	AX	XB	XD	XE	Bolt Size	Frame Size	BT	XC Motor Foot Bolts
<b>M2528</b>	945	24	82	100	16	885	M20 X 300	250 280	250 190	M20 X 130

## Variable Speed Drive



### **EI-SUPER N SERIES** 22KW,30KW,37KW,45KW,55KW,75KW(30HP,40HP,50HP,60HP,75HP,100HP)

A robust and versatile drive giving smooth operation, precise control and powerful functionality. The Super N combines four control methods.

- ~ Open loop vector
- ~ Flux vector
- ~ V/F control with P.G. feedback
- ~ V/F control

Available 380V-400V, 3 phase, 1HP . 1200 HP