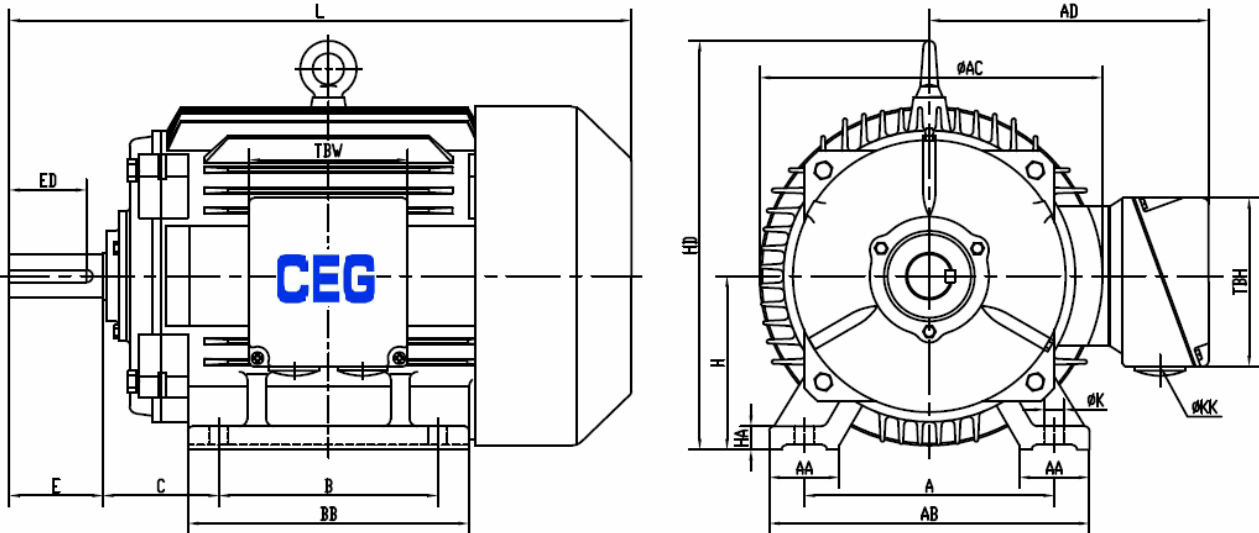


DG PREMIUM RANGE

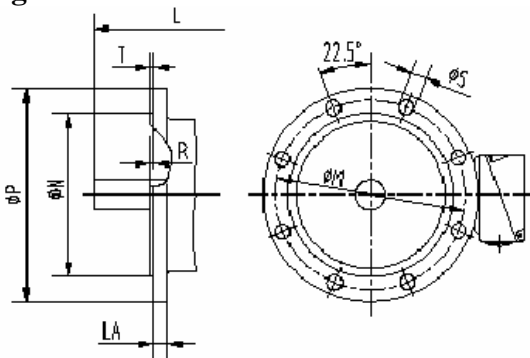
With our policy of constantly upgrading and improving the CEG-BROOK product range, up to date technical data sheets are readily available via our 'Contact Us' link

Foot Mount (B3)



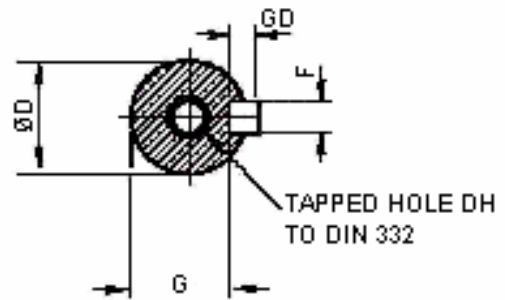
Frame Size	A	B	C	H	K	L	AA	AB	AC	AD	BB	HD	Terminal Box		KK
													TBW	TBH	
DG250S	406	311	168	250	24	915	80	490	500	370	450	580	220	250	M50X1.5+M25X1.5

Flange B5



Frame Size	M	N	P	S	T	LA
DG250S	500	450	550	8X18.5	5	22

Shaft

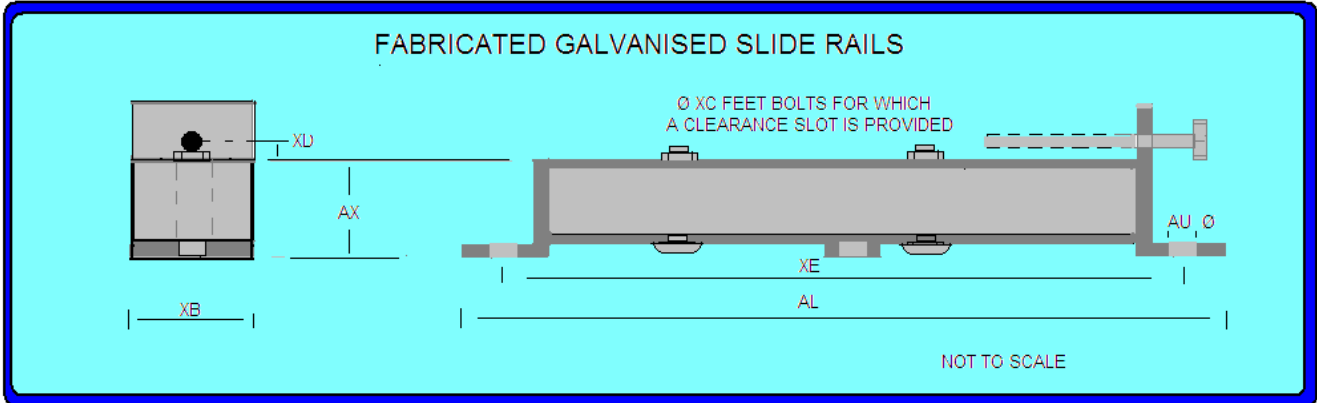


Frame Size	D	E	F	G	GD	ED	DH
DG250S-4/6/8P	70	140	20	62.5	12	110	M20

Bearing

Frame Size	Drive End (DE)	Non Drive End (NDE)
DG250S-4/6/8P	6315	6313

Slide Rails



Code	AL	AU	AX	XB	XD	XE	Bolt Size	Frame Size	BT	XC Motor Foot Bolts
M2528	945	24	82	100	16	885	M20 X 300	250 280	250 190	M20 X 130

Variable Speed Drive



EI-SUPER N SERIES 22KW,30KW,37KW,45KW,55KW,75KW(30HP,40HP,50HP,60HP,75HP,100HP)

A robust and versatile drive giving smooth operation, precise control and powerful functionality. The Super N combines four control methods.

- Open loop vector
- Flux vector
- V/F control with P.G. feedback
- V/F control

Available 380V-400V, 3 phase, 1HP – 1200 HP

All data is subject to confirmation by CEG-BROOK

CEG-BROOK, 63 Allens Road, East Tamaki, Auckland, New Zealand
 Tel +64 9 2745353 - Fax +64 9 274 5295
www.cegbrooknz.co.nz - info@cegbrooknz.com

E&OE