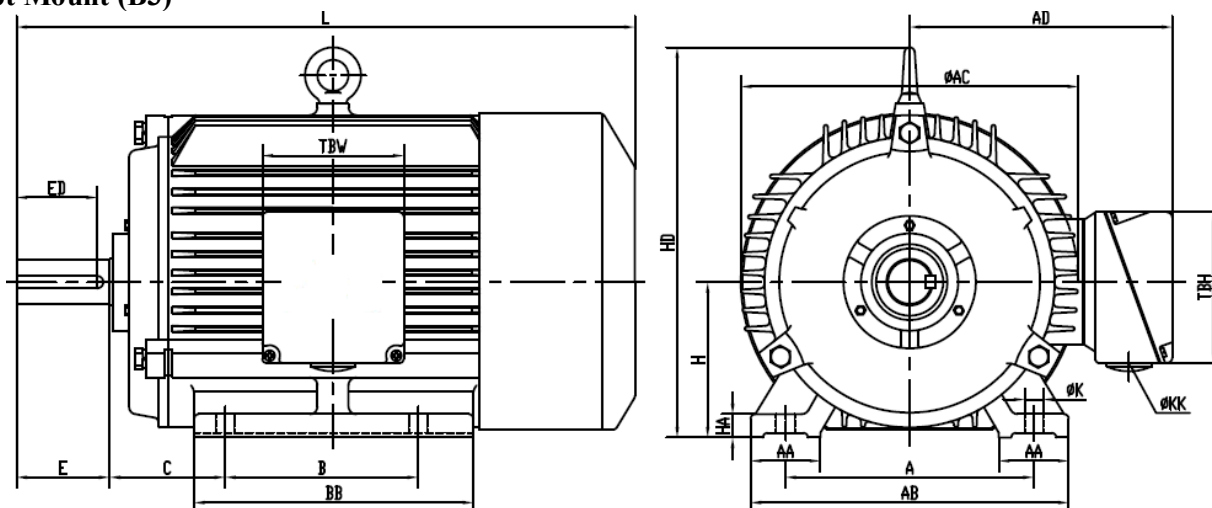




## DG PREMIUM RANGE

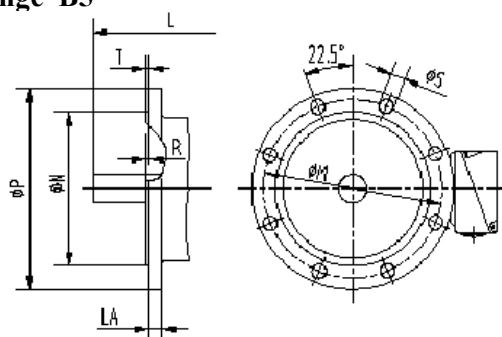
With our policy of constantly upgrading and improving the BROOK-MTL product range, up to date technical data sheets are readily available via our 'Contact Us' link

### Foot Mount (B3)



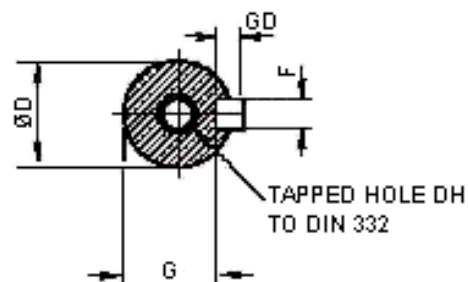
Frame Size	A	B	C	H	K	L	AA	AB	AC	AD	BB	HD	Terminal Box		KK
													TBW	TBH	
DG280M	457	419	190	280	24	1060	85	550	550	410	540	660	220	250	M50X1.5+M25X1.5

### Flange B5



Frame Size	M	N	P	S	T	LA
DG280M	500	450	550	8X18.5	5	22

### Shaft

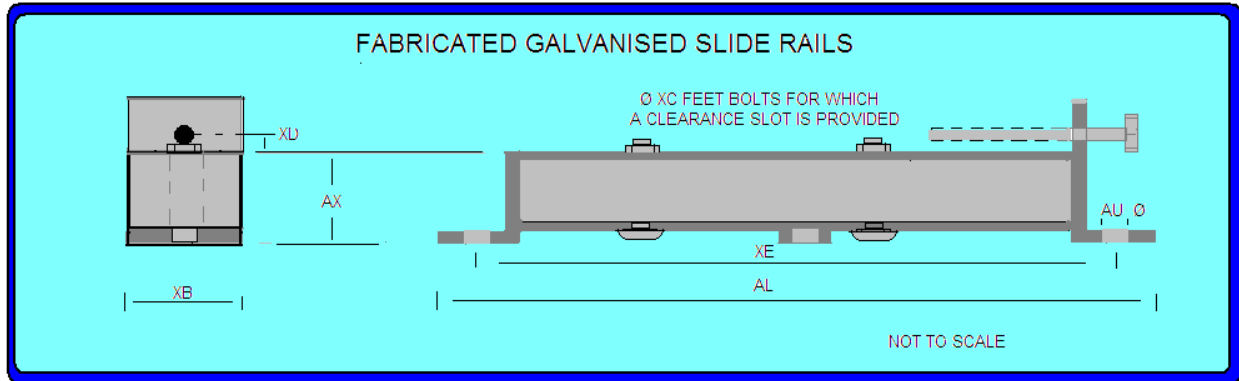


Frame Size	D	E	F	G	GD	ED	DH
DG280M-2P	65	140	18	58	11	140	M20

### Bearing

Frame Size	Drive End (DE)	Non Drive End (NDE)
DG280M-2P	6314	6314

# Slide Rails



Code	AL	AU	AX	XB	XD	XE	Bolt Size	Frame Size	BT	XC Motor Foot Bolts
<b>M2528</b>	945	24	82	100	16	885	M20 X 300	250 280	250 190	M20 X 130