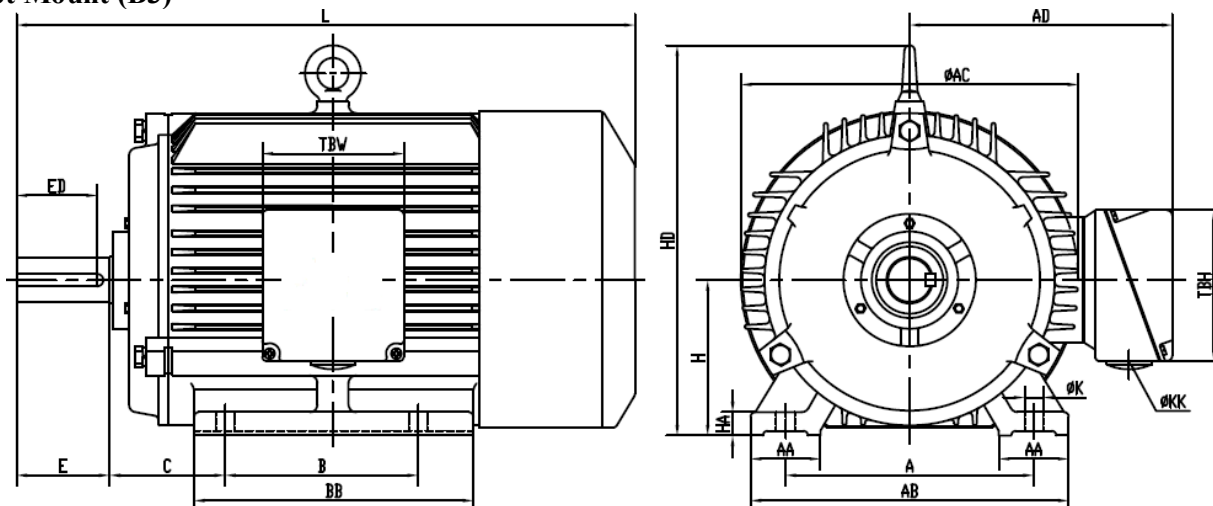




## DG PREMIUM RANGE

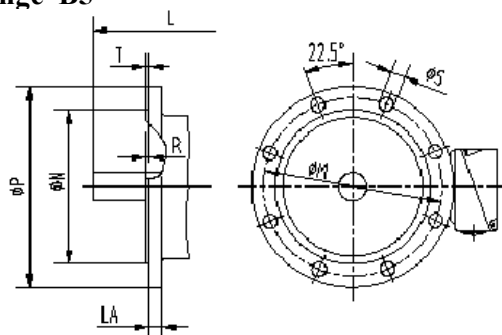
With our policy of constantly upgrading and improving the BROOK-MTL product range, up to date technical data sheets are readily available via our 'Contact Us' link

### Foot Mount (B3)



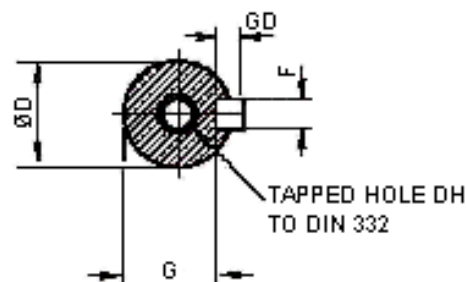
Frame Size	A	B	C	H	K	L	AA	AB	AC	AD	BB	HD	Terminal Box		KK
													TBW	TBH	
DG315L	508	508	216	315	28	1330	120	630	630	530	680	845	280	320	M64X2+M25X1.5

### Flange B5



Frame Size	M	N	P	S	T	LA
DG315L	600	550	660	8X24	6	22

### Shaft

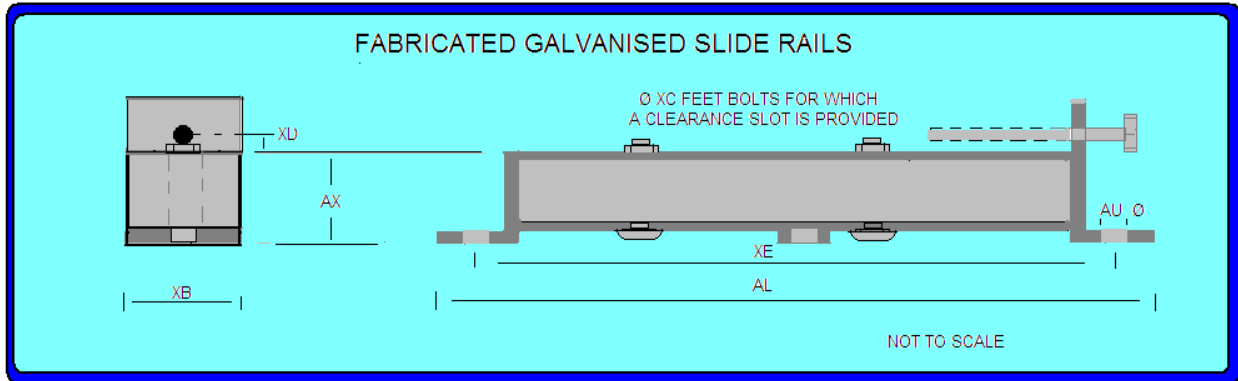


Frame Size	D	E	F	G	GD	ED	DH
DG315L-4/6/8P	85	170	22	76	14	140	M20

### Bearing

Frame Size	Drive End (DE)	Non Drive End (NDE)
DG315L-4/6/8P	NU319	6319

# Slide Rails



Code	AL	AU	AX	XB	XD	XE	Bolt Size	Frame Size	BT	XC Motor Foot Bolts
<b>M3100</b>	1215	28	100	100	20	1115	M20 X 450	315	330	M24 X 150