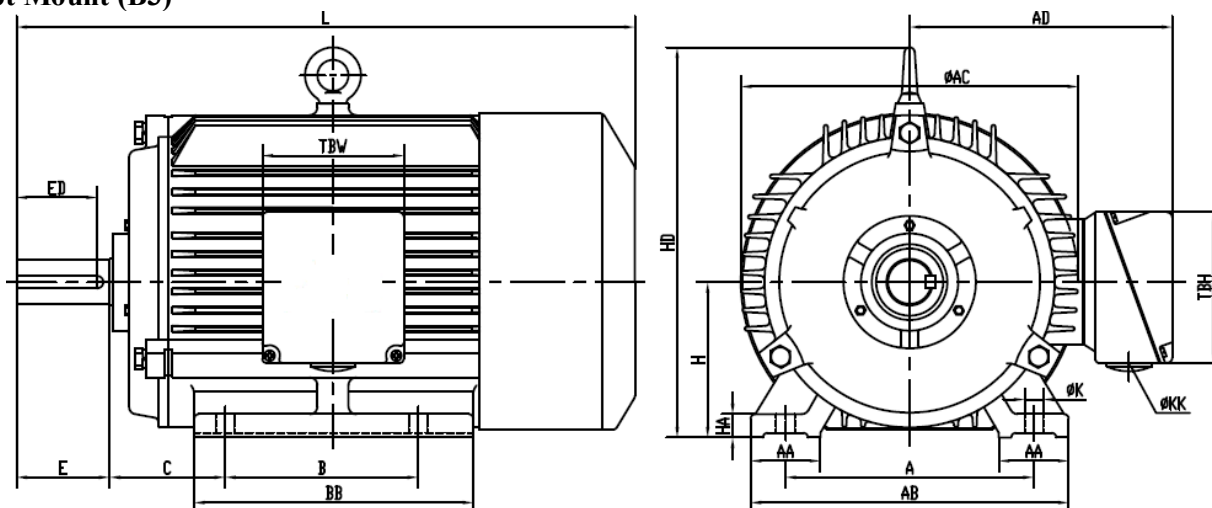




DG PREMIUM RANGE

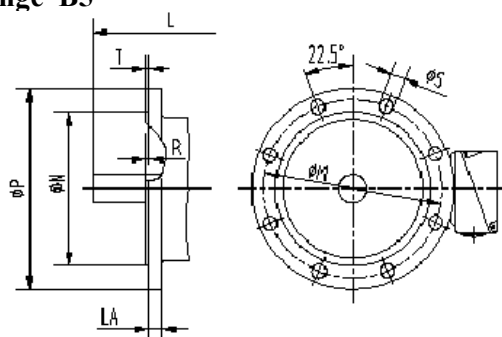
With our policy of constantly upgrading and improving the BROOK-MTL product range, up to date technical data sheets are readily available via our 'Contact Us' link

Foot Mount (B3)



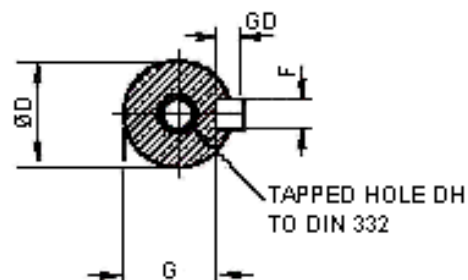
Frame Size	A	B	C	H	K	L	AA	AB	AC	AD	BB	HD	Terminal Box		KK
													TBW	TBH	
DG315M	508	457	216	315	28	1330	120	630	630	530	680	845	280	320	M64X2+M25X1.5

Flange B5



Frame Size	M	N	P	S	T	LA
DG315M	600	550	660	8X24	6	22

Shaft

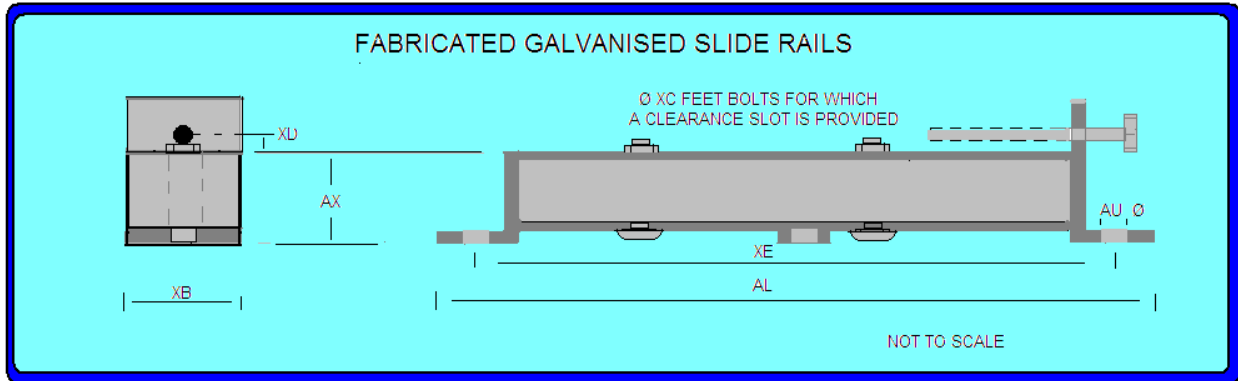


Frame Size	D	E	F	G	GD	ED	DH
DG315M-2P	65	140	18	58	11	110	M20

Bearing

Frame Size	Drive End (DE)	Non Drive End (NDE)
DG315M-2P	6317	6317

Slide Rails



Code	AL	AU	AX	XB	XD	XE	Bolt Size	Frame Size	BT	XC Motor Foot Bolts
M3100	1215	28	100	100	20	1115	M20 X 450	315	330	M24 X 150