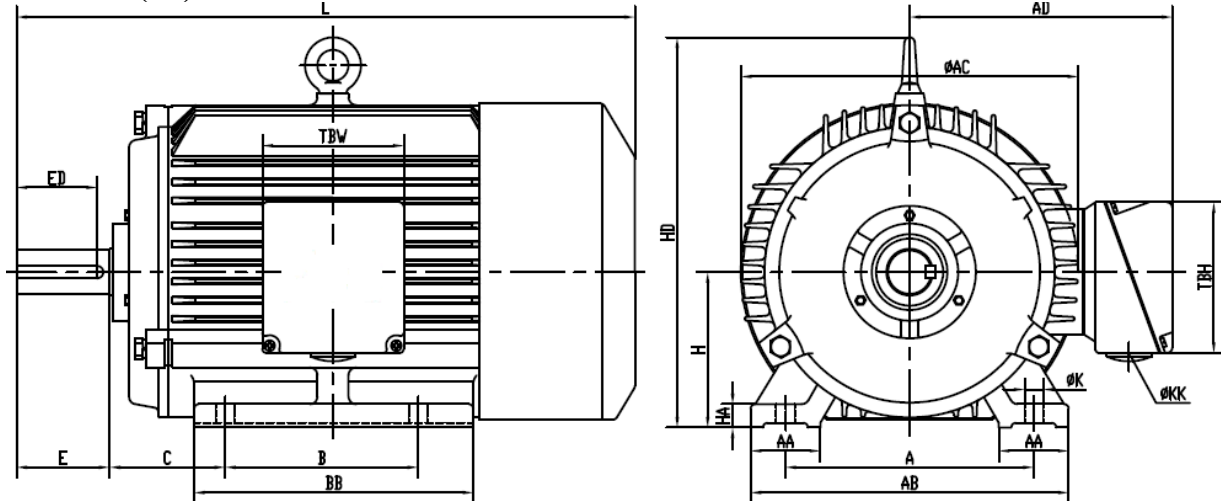


DG PREMIUM RANGE

With our policy of constantly upgrading and improving the BROOK-MTL product range, up to date technical data sheets are readily available via our 'Contact Us' link

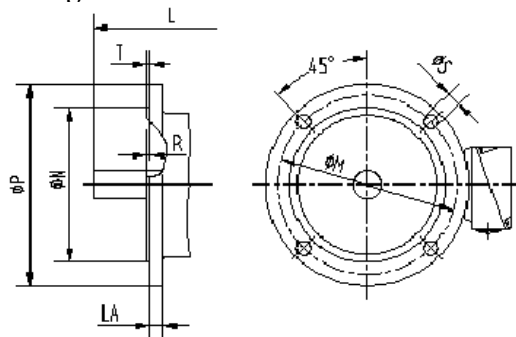
Foot Mount (B3)



Frame Size	A	B	C	E	H	K	L	AA	AB	AC	AD	BB	HD	Terminal Box		KK
														TBW	TBH	
DG90L	140	125	56	50	90	10	360	38	180	195	180	180	235	100	110	M20X1.5

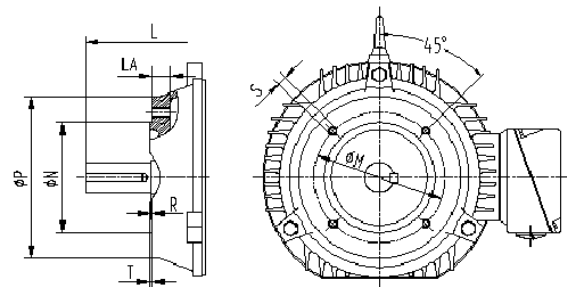
SEE SHAFT DETAILS AT BOTTOM OF PAGE

Flange B5



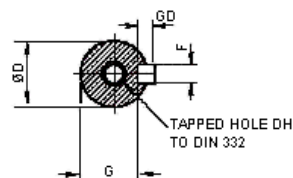
Frame Size	M	N	P	S	T	LA
DG90L	165	130	200	4X12	3.5	12

Flange B14



Frame Size	M	N	P	S	T	LA
DG900L	115	95	140	4XM8	3	12

Shaft



Frame Size	D	E	F	G	GD	ED	DH
DG100L	24	50	8	20	7	32	M8

Bearing

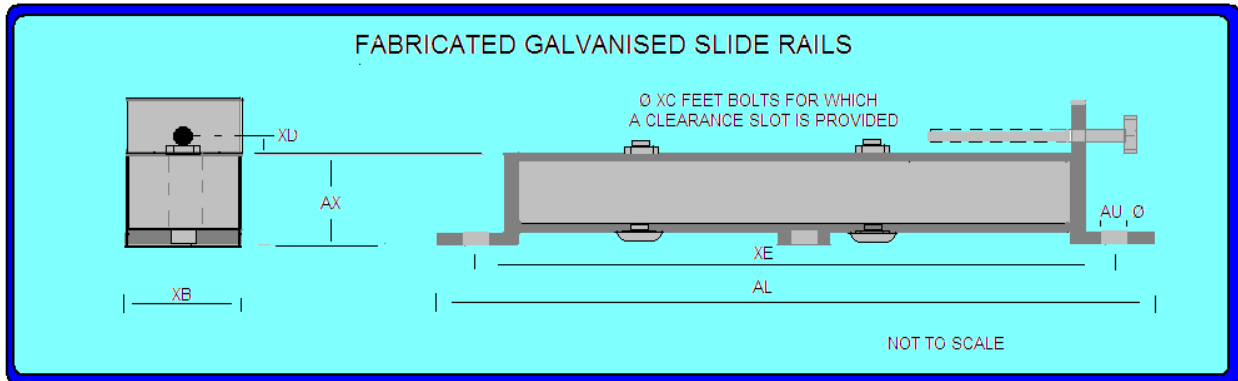
Frame Size	Drive End (DE)	Non Drive End (NDE)
DG90L	6206-2Z	6206-2Z

All data is subject to confirmation by BROOK-MTL

BROOK-MTL, 63 Allens Road, East Tamaki, Auckland, New Zealand
Tel +64 9 271 6063 - Fax +64 9 271 6020 - www.brookmtl.co.nz - info@brookmtl.co.nz

Associate company: Rotating Machinery Supplies, 6 Devon Road, Hamilton rotatingmachinery@clear.net.nz

Slide Rails



Code	AL	AU	AX	XB	XD	XE	Bolt Size	Frame Size	BT	XC Motor Foot Bolts
M0809	355	10	30	30	6	325	M10 X 150	71 80 90	90 83 67	M8 X 40

Variable Speed Drive



EI-450M MINI SERIES -,0.55KW, 0.75KW, 1.1KW (3/4HP, 1HP, 2HP)

A versatile, compact and competitive drive for smaller motors Din rail mount for ease of installation. Available in 230V single phase, or 400V 3 phase. Source voltage 50 or 60 Hz. Output voltage proportional to input with output frequency up to 400 Hz.



EI-450 SERIES - 0.55KW, 0.75KW, 1.1KW (3/4HP, 1HP, 2HP)

A versatile drive with most functions available for industrial drives. Available with source voltage of 230V single phase up to 2.2kw, with a range of 3 phase inputs from 380-440V three phase up to 2.2kw.