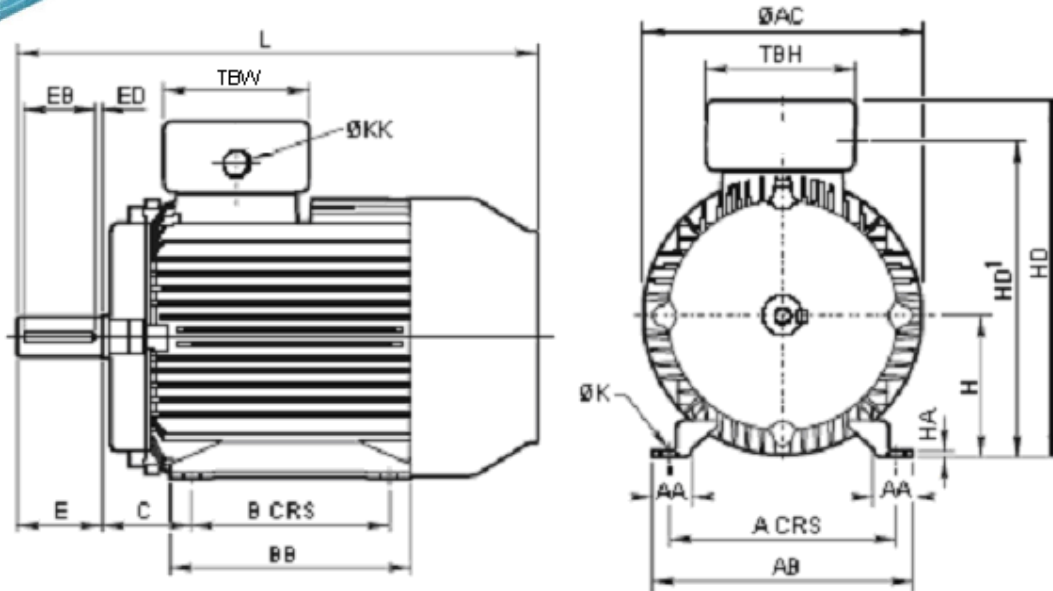




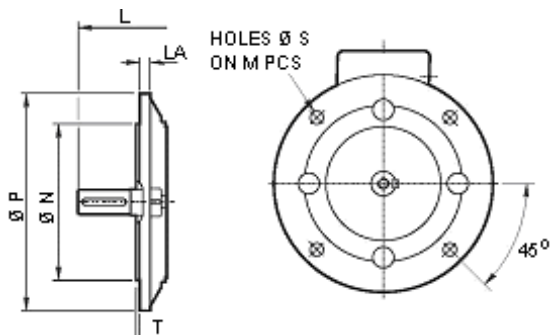
Foot Mount (B3)



Frame Size	A	B	C	E	H	K	L	AA	AB	AC	BB	HA	HD	HD¹	Terminal Box		KK
															TBW	TBH	
GD112M	190	140	70	60	112	12	382	35	218	215	170	4	279	245	127	127	25

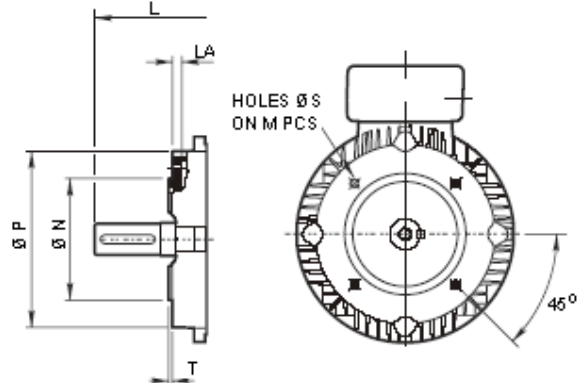
SEE SHAFT DETAILS AT BOTTOM OF PAGE

Flange B5



Frame Size	M	N	P	S	T	LA
GD112M	215	180	250	14.5	4	12

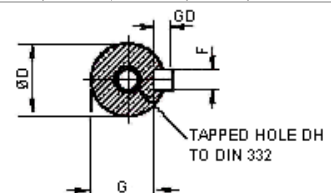
Flange B14



Frame Size	M	N	P	S	T	LA
GD112M	130	110	164	M8	3.5	13

Shaft

Frame Size	D	E	F	G	GD	EB	ED	DH
GD112M	28	60	8	23.9	7	50	5	M10x22



All data is subject to confirmation by BROOK-MTL

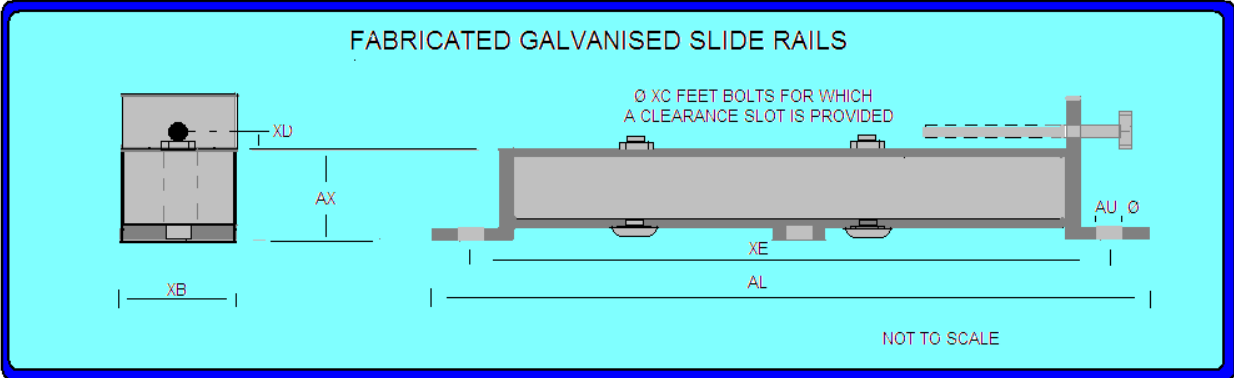
BROOK MTL, 63 Allens Road, East Tamaki, Auckland, New Zealand

E&OE

Associate companies: [Rotating Machinery Supplies](http://RotatingMachinerySupplies.com), 6 Devon Road, Hamilton. rotatingmachinery@clear.net.nz
[Soco Electric Motors](http://SocoElectricMotors.com), 473 Tremaine Ave, Palmerston North. sales@soco.co.nz



Slide Rails



Code	AL	AU	AX	XB	XD	XE	Bolt Size	Frame Size	BT	XC Motor Foot Bolts
M1013	470	12	44	45	6	430	M10 X 200	100	171	M10 x 60
								112	137	
								132	106	

All data is subject to confirmation by BROOK-MTL
 BROOK MTL, 63 Allens Road, East Tamaki, Auckland, New Zealand

Associate companies: [Rotating Machinery Supplies](mailto:rotatingmachinery@clear.net.nz), 6 Devon Road, Hamilton. rotatingmachinery@clear.net.nz
[Soco Electric Motors](mailto:sales@soco.co.nz), 473 Tremaine Ave, Palmerston North. sales@soco.co.nz



E&OE