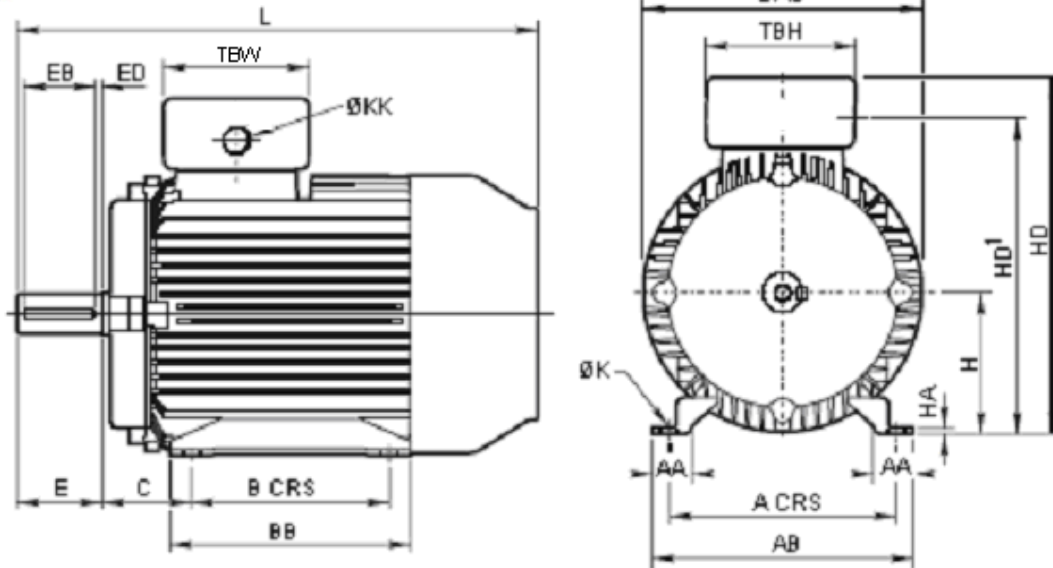




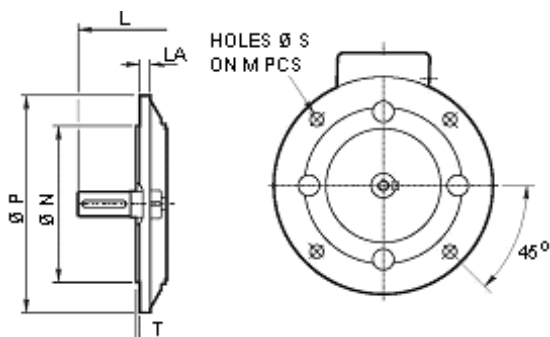
## Foot Mount (B3)



Frame Size	A	B	C	E	H	K	L	AA	AB	AC	BB	HA	HD	HD¹	Terminal Box		KK
															TBW	TBH	
<b>GD63</b>	100	80	40	23	63	7	207	19	119	126	100	2	163	138	86	86	20

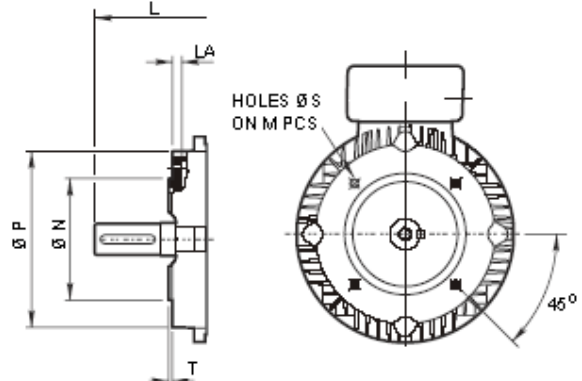
SEE SHAFT DETAILS AT BOTTOM OF PAGE

## Flange B5



Frame Size	M	N	P	S	T	LA
<b>GD63</b>	115	95	140	10	3	7

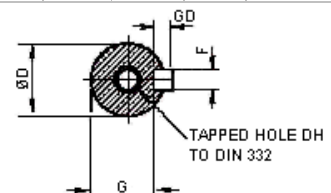
## Flange B14



Frame Size	M	N	P	S	T	LA
<b>GD63</b>	75	60	90	M5	2.5	7

## Shaft

Frame Size	D	E	F	G	GD	EB	ED	DH
<b>GD63</b>	11	23	4	8.5	4	10	13	M4x10



All data is subject to confirmation by BROOK-MTL

**BROOK MTL**, 63 Allens Road, East Tamaki, Auckland, New Zealand

E&OE

Associate companies: [Rotating Machinery Supplies](#), 6 Devon Road, Hamilton. [rotatingmachinery@clear.net.nz](mailto:rotatingmachinery@clear.net.nz)  
[Soco Electric Motors](#), 473 Tremaine Ave, Palmerston North. [sales@soco.co.nz](mailto:sales@soco.co.nz)

