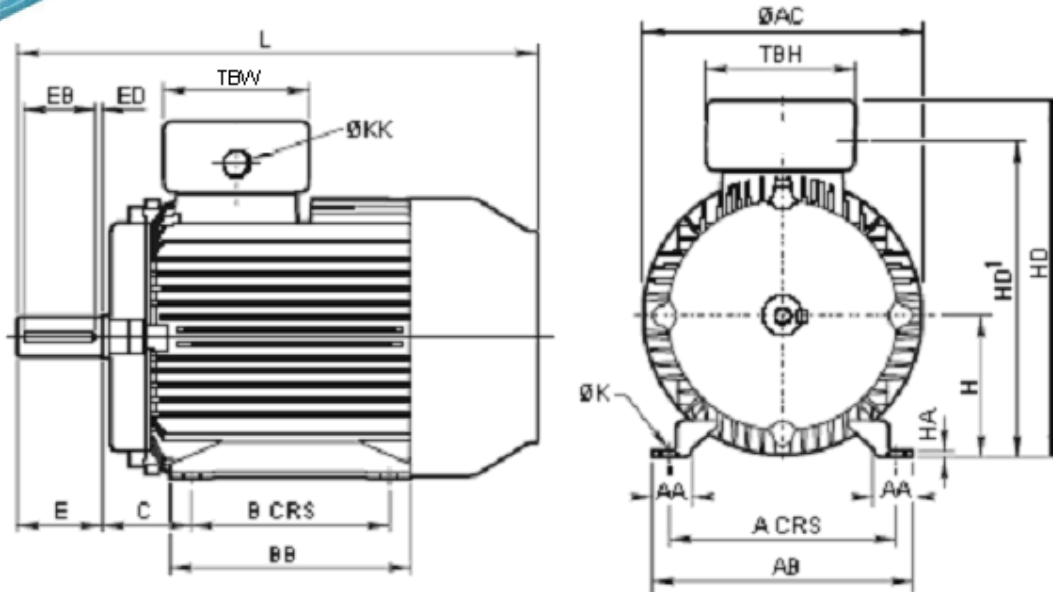




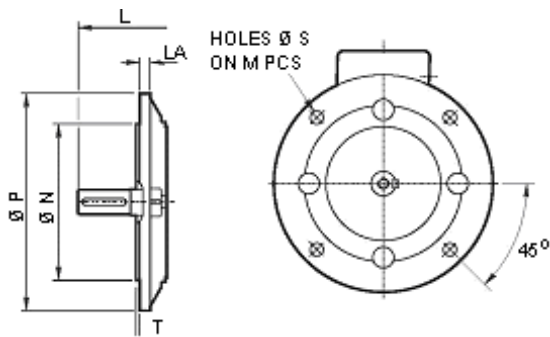
### Foot Mount (B3)



Frame Size	A	B	C	E	H	K	L	AA	AB	AC	BB	HA	HD	HD¹	Terminal Box		KK
															TBW	TBH	
<b>GD71</b>	112	90	45	30	71	7	238	19	131	140	110	2	186	162	86	86	20

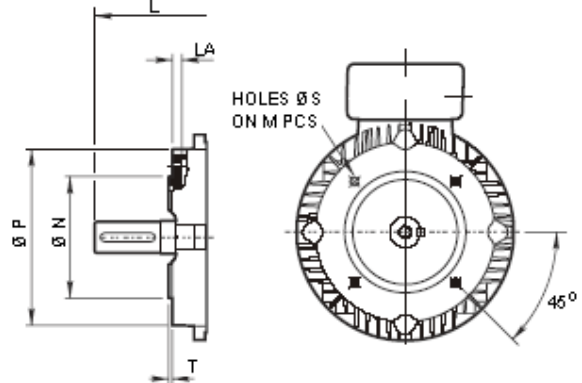
SEE SHAFT DETAILS AT BOTTOM OF PAGE

### Flange B5



Frame Size	M	N	P	S	T	LA
<b>GD71</b>	130	110	160	10	3.5	7

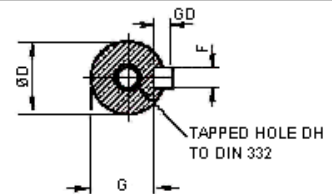
### Flange B14



Frame Size	M	N	P	S	T	LA
<b>GD71</b>	85	70	105	M6	2.5	9

### Shaft

Frame Size	D	E	F	G	GD	EB	ED	DH
<b>GD71</b>	14	30	5	11	5	20	5	M5x12.5



All data is subject to confirmation by BROOK-MTL

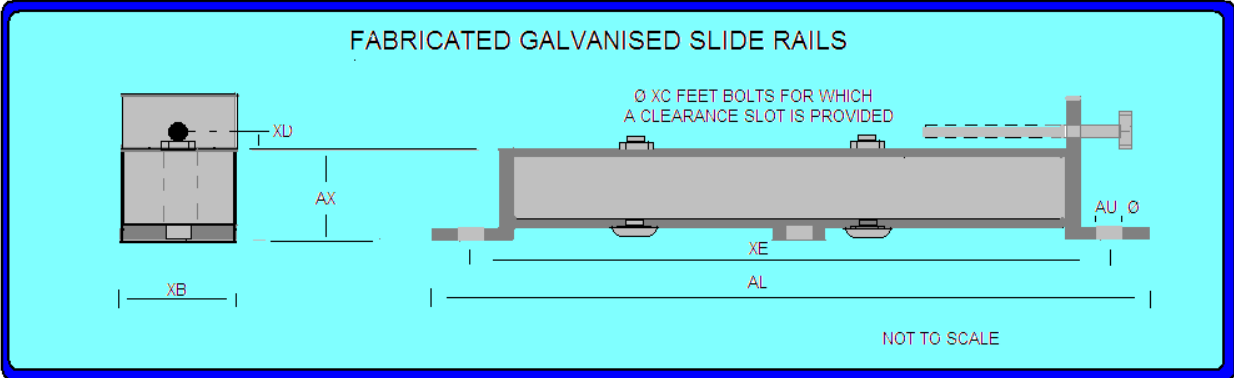
**BROOK MTL**, 63 Allens Road, East Tamaki, Auckland, New Zealand

E&OE

Associate companies: [Rotating Machinery Supplies](#), 6 Devon Road, Hamilton. [rotatingmachinery@clear.net.nz](mailto:rotatingmachinery@clear.net.nz)  
[Soco Electric Motors](#), 473 Tremaine Ave, Palmerston North. [sales@soco.co.nz](mailto:sales@soco.co.nz)



## Slide Rails



Code	AL	AU	AX	XB	XD	XE	Bolt Size	Frame Size	BT	XC Motor Foot Bolts
<b>M0809</b>	355	10	30	30	6	325	M10 X 150	71 80 90	90 83 67	M8 x 40

All data is subject to confirmation by BROOK-MTL  
[BROOK MTL](http://www.brookmtl.co.nz), 63 Allens Road, East Tamaki, Auckland, New Zealand

Associate companies: [Rotating Machinery Supplies](http://www.rotatingmachinery.com), 6 Devon Road, Hamilton. [rotatingmachinery@clear.net.nz](mailto:rotatingmachinery@clear.net.nz)  
[Soco Electric Motors](http://www.soco.co.nz), 473 Tremaine Ave, Palmerston North. [sales@soco.co.nz](mailto:sales@soco.co.nz)



E&OE