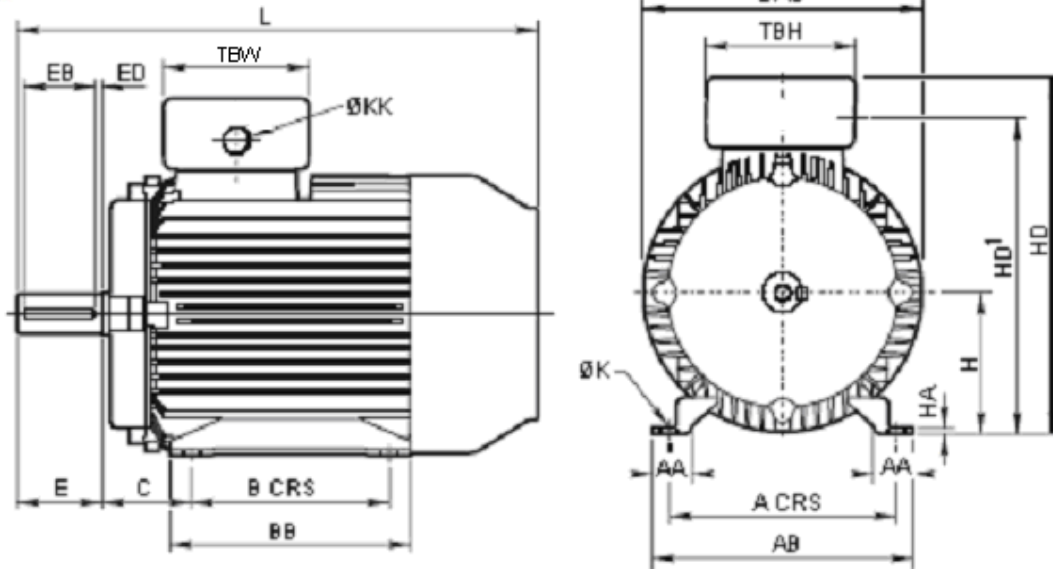




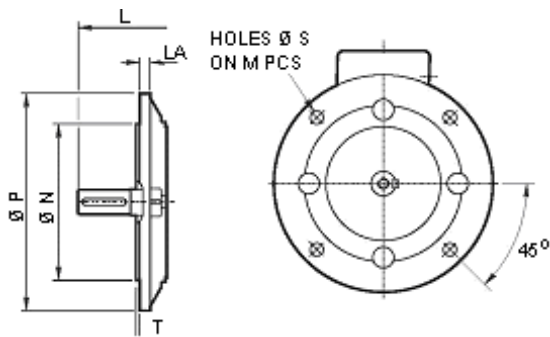
Foot Mount (B3)



Frame Size	A	B	C	E	H	K	L	AA	AB	AC	BB	HA	HD	HD¹	Terminal Box		KK
															TBW	TBH	
GD90L	140	125	56	50	90	10	322	28	164	178	150	4	225	201	86	86	20

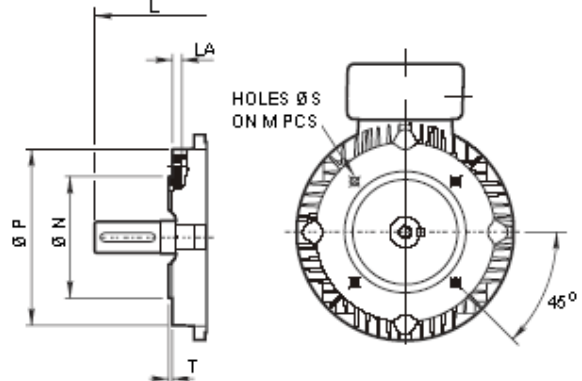
SEE SHAFT DETAILS AT BOTTOM OF PAGE

Flange B5



Frame Size	M	N	P	S	T	LA
GD90L	165	130	200	12	3.5	10

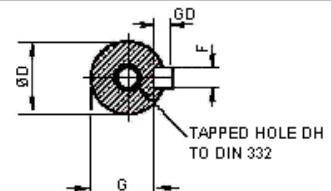
Flange B14



Frame Size	M	N	P	S	T	LA
GD90L	115	95	140	M8	3	9

Shaft

Frame Size	D	E	F	G	GD	EB	ED	DH
GD90L	24	50	8	20	7	40	5	M8x19



All data is subject to confirmation by BROOK-MTL

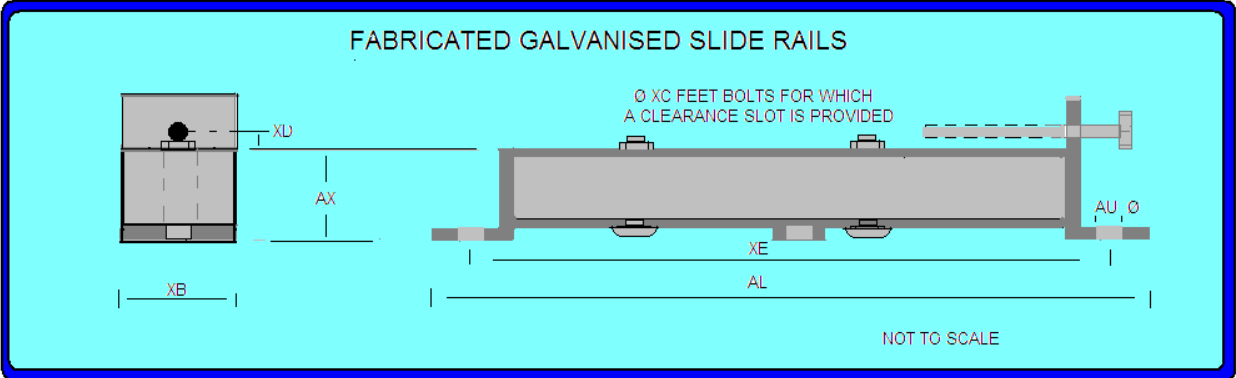
BROOK MTL, 63 Allens Road, East Tamaki, Auckland, New Zealand

E&OE

Associate companies: [Rotating Machinery Supplies](#), 6 Devon Road, Hamilton. rotatingmachinery@clear.net.nz
[Soco Electric Motors](#), 473 Tremaine Ave, Palmerston North. sales@soco.co.nz



Slide Rails



Code	AL	AU	AX	XB	XD	XE	Bolt Size	Frame Size	BT	XC Motor Foot Bolts
M0809	355	10	30	30	6	325	M10 X 150	71 80 90	90 83 67	M8 x 40

All data is subject to confirmation by BROOK-MTL
[BROOK MTL](http://www.brookmtl.co.nz), 63 Allens Road, East Tamaki, Auckland, New Zealand

Associate companies: [Rotating Machinery Supplies](http://www.rotatingmachinery.com), 6 Devon Road, Hamilton. rotatingmachinery@clear.net.nz
[Soco Electric Motors](http://www.soco.co.nz), 473 Tremaine Ave, Palmerston North. sales@soco.co.nz



E&OE