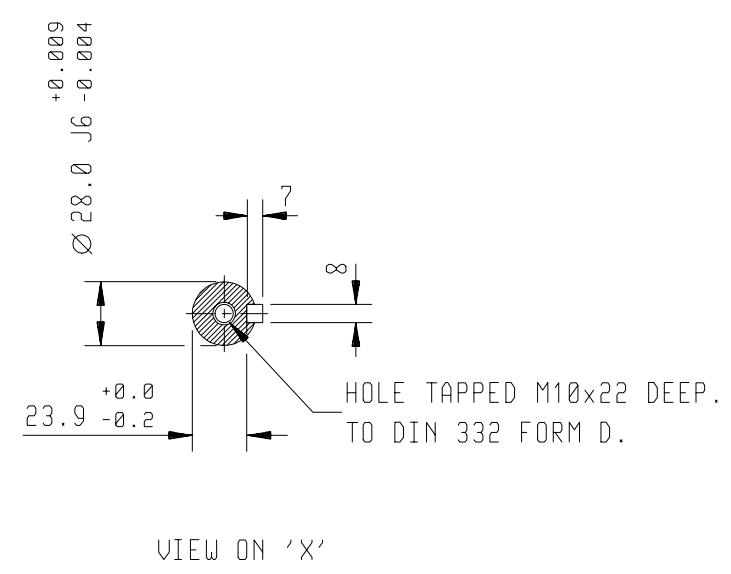
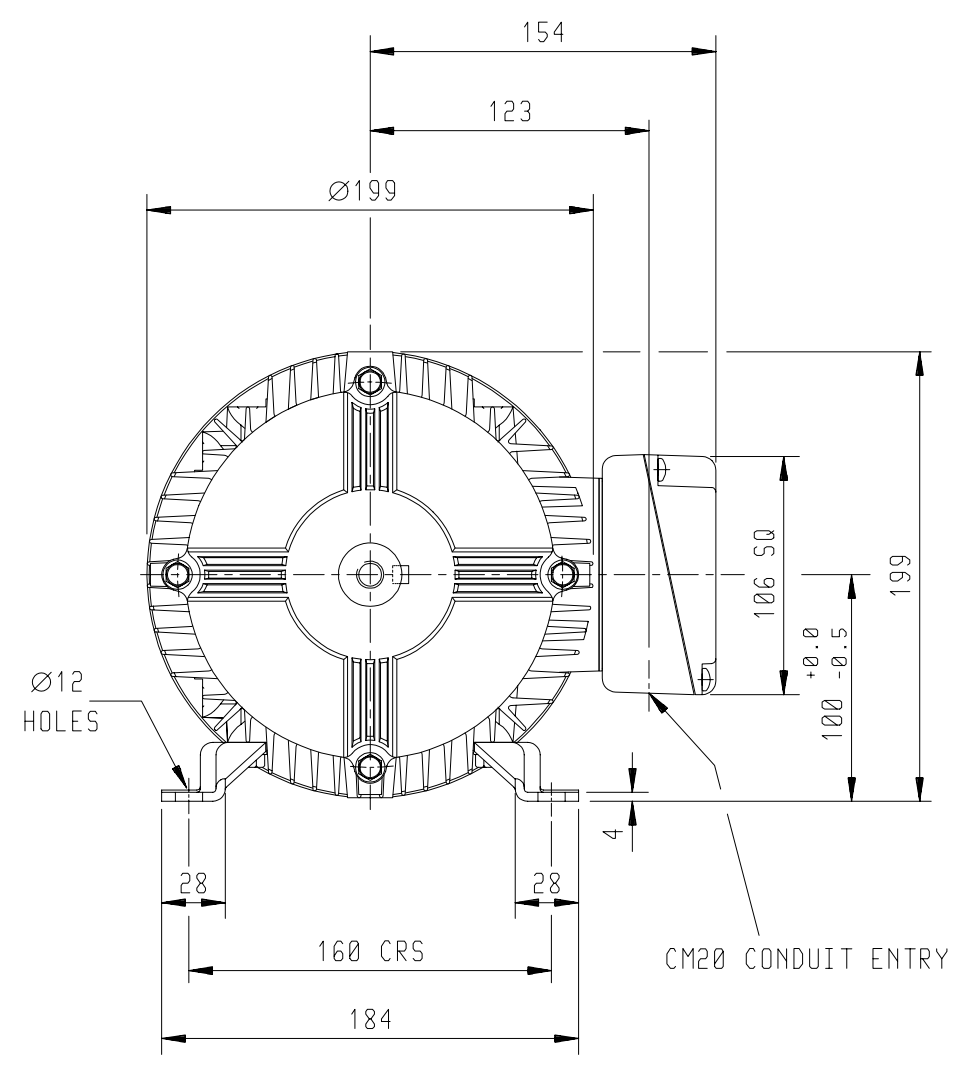
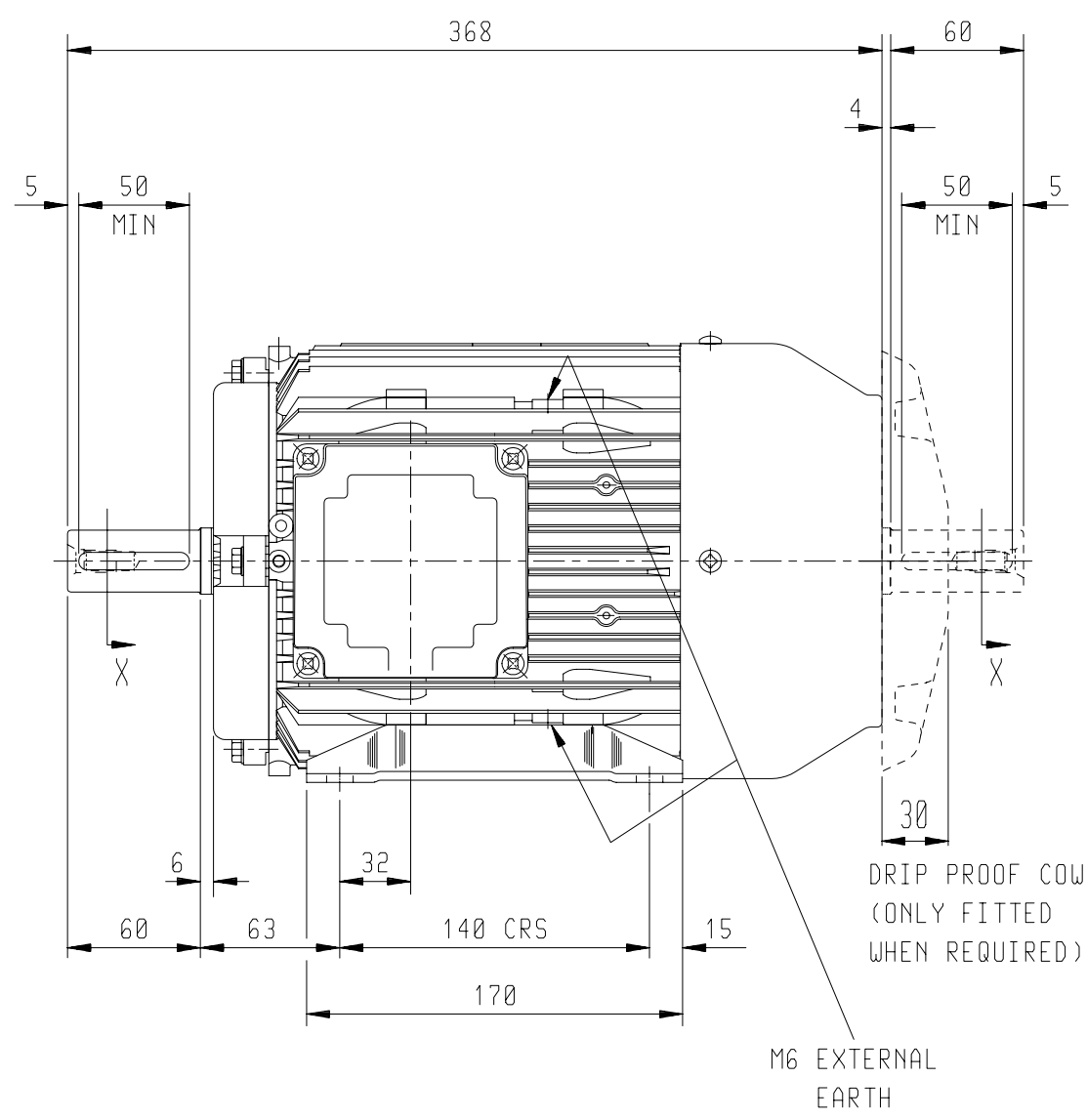


CUSTOMER		
ORDER No.		
PART No.		
FRAME SIZE		
KW.	RPM.	
Hz	PHASE	
VOLTS	POLES	
BRGS.	DE.	NDE.
MOTOR NETT WT.		Kg.
SPECIAL REMARKS		



TERMINAL BOX POSITION:- CAN BE ARRANGED AT EITHER 9,12 OR 3 O'CLOCK BY MOVING FEET. STANDARD TERMINAL BOX POSITION IS 3 O'CLOCK AS SHOWN.
 CONDUIT ENTRIES:- TERMINAL BOX CAN BE ROTATED AT 90° INTERVALS (CONDUIT ENTRY POSITION SHOWN FOR ILLUSTRATION ONLY).

ALL DIMENSIONS IN MILLIMETRES.

FIRST ANGLE PROJECTION

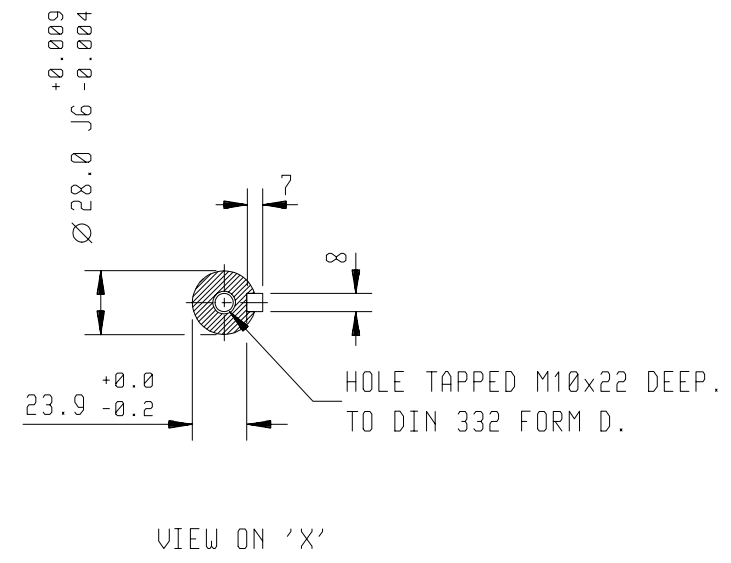
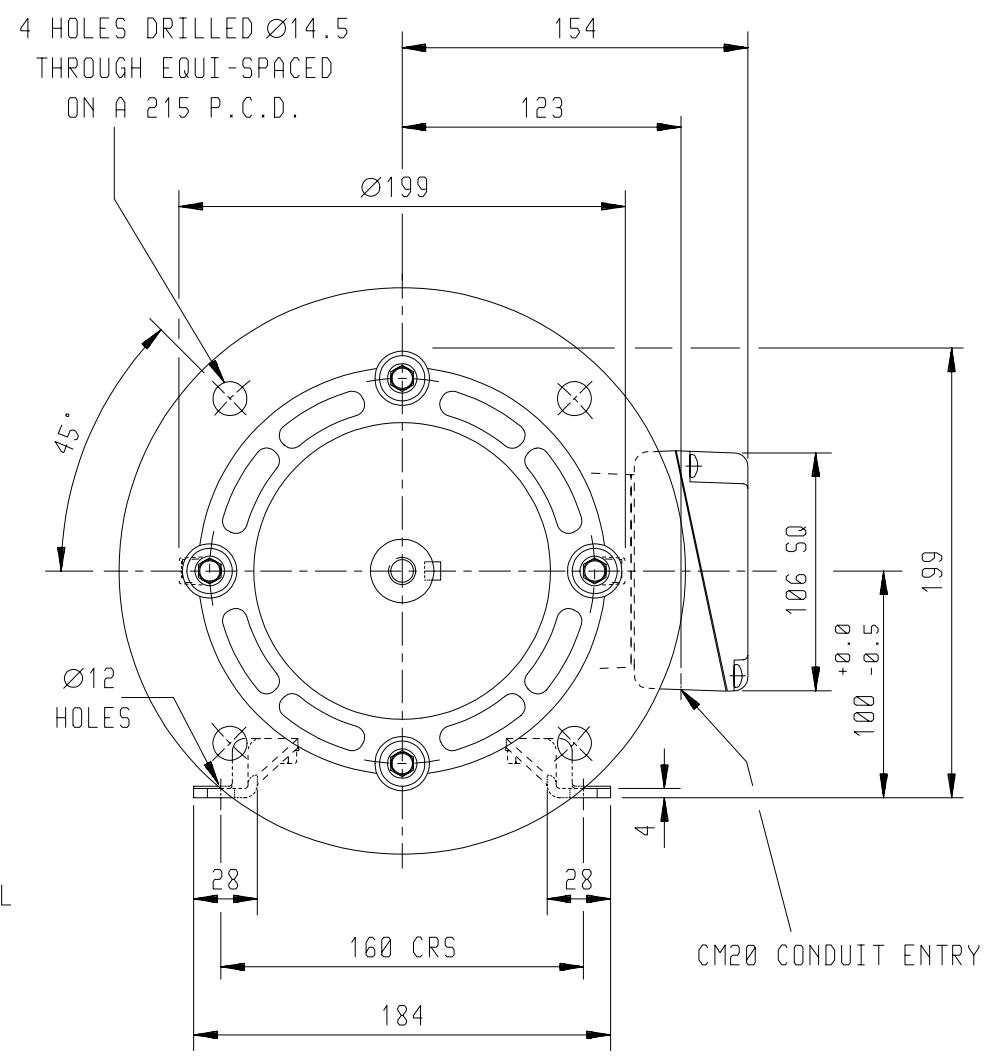
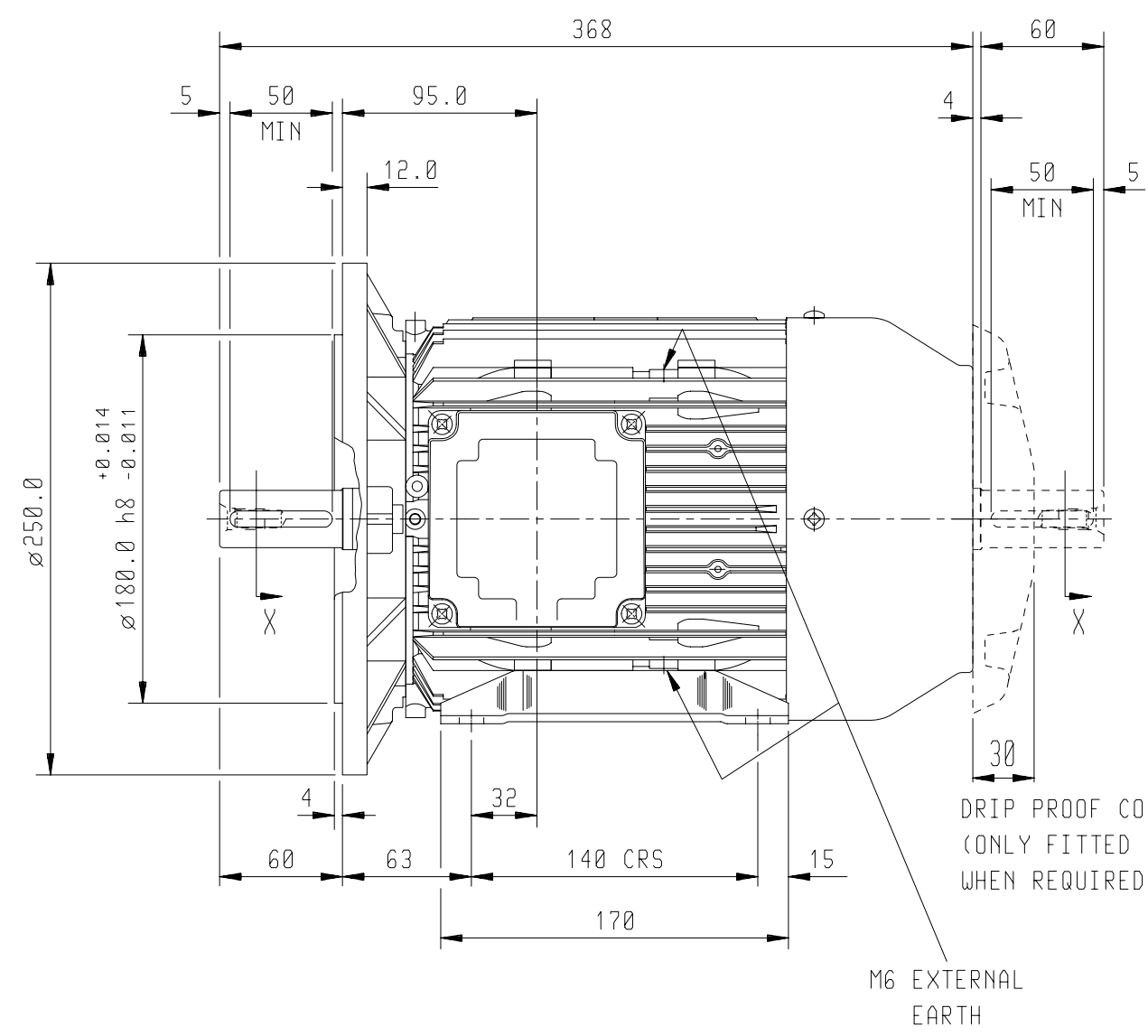
BROOK CROMPTON

Small Industrial Motors
 Huddersfield, W.Yorkshire, HD1 3LJ

SHEET SIZE A3	TITLE	NAME	DATE
	OUTLINE DIMENSION DRAWING W ALUMINIUM TOTALLY ENCLOSED FAN COOLED	MI	11-03-93
	100L FRAME FOOT MOUNTED MOTOR	JWD	11-03-93
		SCALE	1:3.5

DRG. No.	W10GF000/3		
DRG. REF.			
REVISION:	RR	DATE	09/06/03

CUSTOMER		
ORDER No.		
PART No.		
FRAME SIZE		
KW.	RPM.	
Hz	PHASE	
VOLTS	POLES	
BRGS.	DE.	NDE.
MOTOR NETT WT. Kg.		
SPECIAL REMARKS		



TERMINAL BOX POSITION:- CAN BE ARRANGED AT EITHER 9,12 OR 3 O'CLOCK BY MOVING FEET. STANDARD TERMINAL BOX POSITION IS 3 O'CLOCK AS SHOWN.
 CONDUIT ENTRIES:- TERMINAL BOX CAN BE ROTATED AT 90° INTERVALS (CONDUIT ENTRY POSITION SHOWN FOR ILLUSTRATION ONLY).

ALL DIMENSIONS IN MILLIMETRES.

FIRST ANGLE PROJECTION

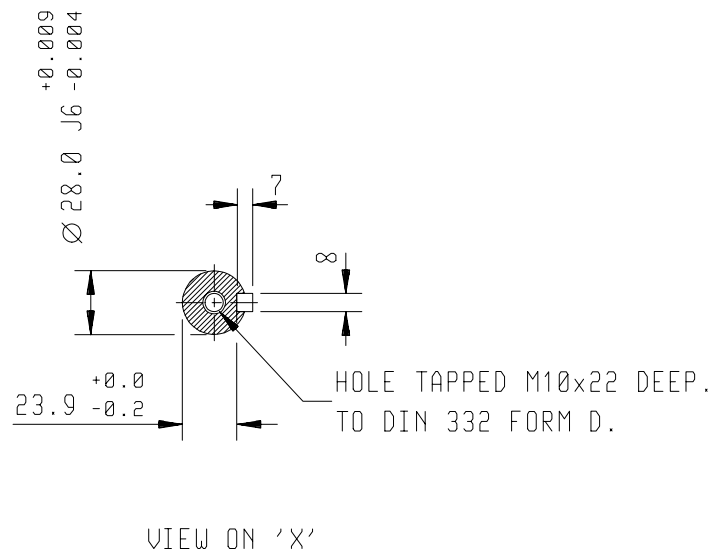
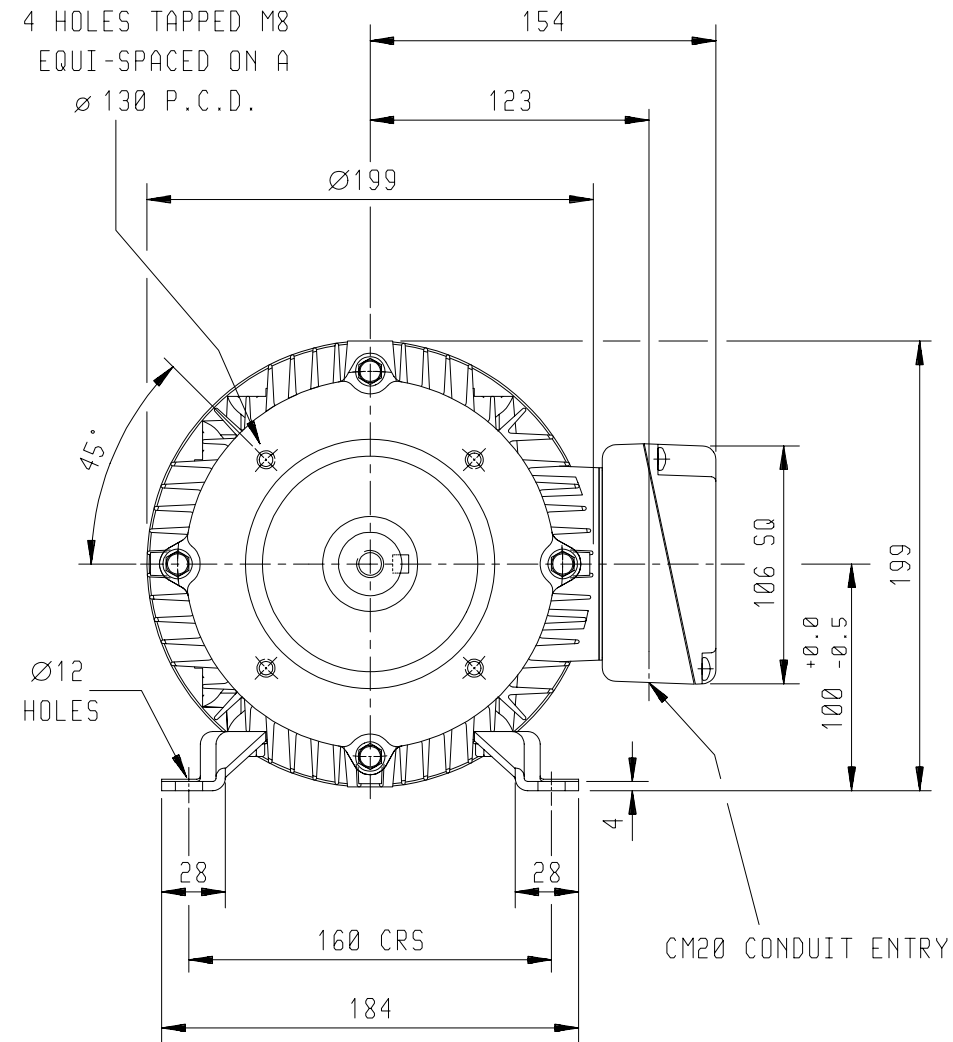
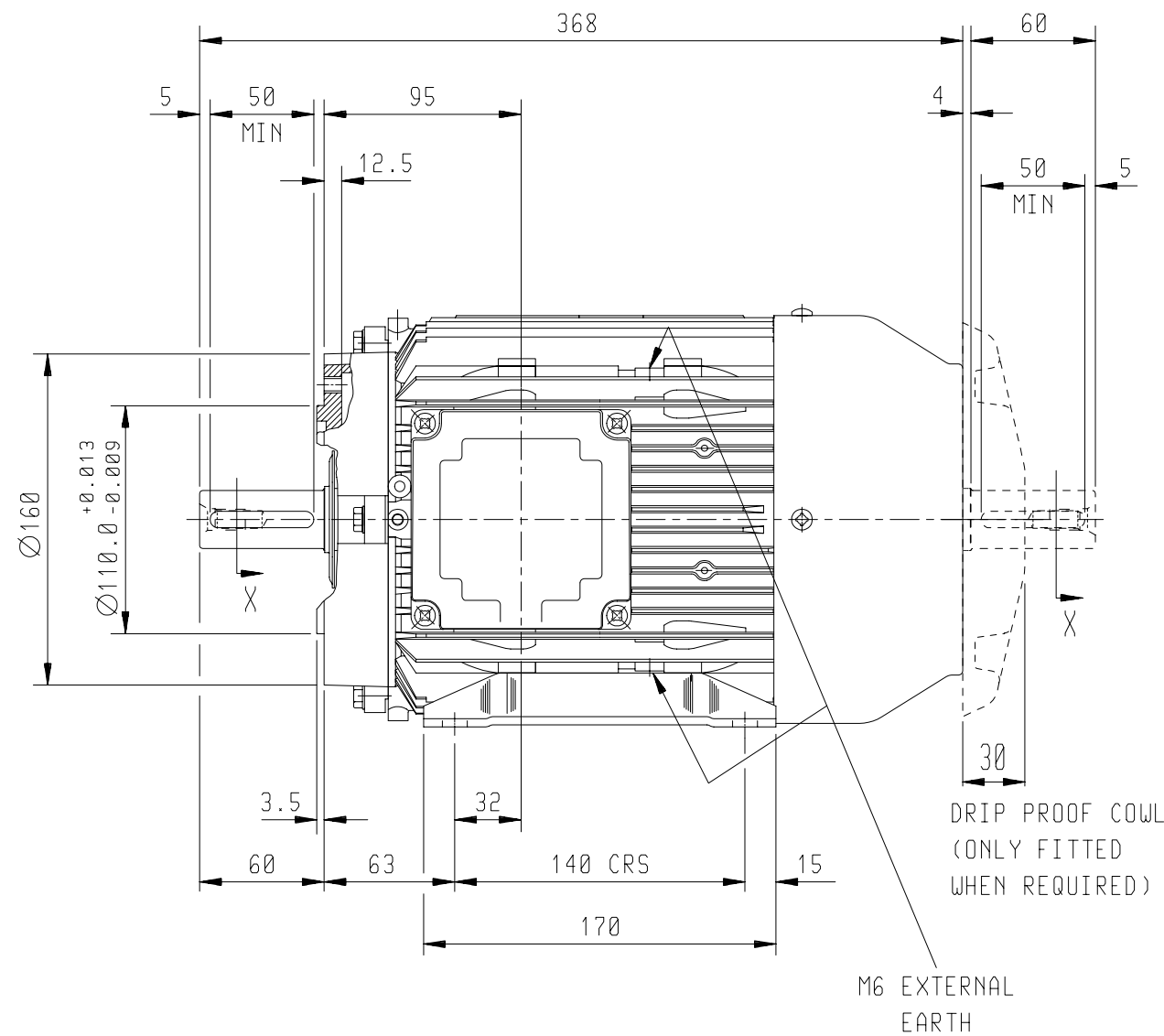
BROOK CROMPTON

Small Industrial Motors
 Huddersfield, W.Yorkshire, HD1 3LJ

SHEET SIZE A3	TITLE	OUTLINE DIMENSION DRAWING W ALUMINIUM TOTALLY ENCLOSED FAN COOLED 100L FRAME FOOT AND 'D' FLANGE MOUNTED MOTOR
	DRAWN	MI 01-08-94
	CHECKED	JWD 01-08-94
	SCALE	1:3.5

NAME	DATE	DRG. No. W10GD000/4
REVISION:	RR	DATE 11/06/03

CUSTOMER			
ORDER No.			
PART No.			
FRAME SIZE			
KW.		RPM.	
Hz		PHASE	
VOLTS		POLES	
BRGS.		DE.	NDE.
MOTOR NETT WT.			Kg.
SPECIAL REMARKS			



CARE SHOULD BE TAKEN TO ENSURE THAT THE SCREWS OR STUDS DO NOT EXTEND INSIDE THE MOTOR BEYOND THE DEPTH OF THE TAPPED FIXING HOLE.
 TERMINAL BOX POSITION:- CAN BE ARRANGED AT EITHER 9,12 OR 3 O'CLOCK BY MOVING FEET. STANDARD TERMINAL BOX POSITION IS 3 O'CLOCK AS SHOWN.
 CONDUIT ENTRIES:- TERMINAL BOX CAN BE ROTATED AT 90° INTERVALS (CONDUIT ENTRY POSITION SHOWN FOR ILLUSTRATION ONLY).

ALL DIMENSIONS IN MILLIMETRES.

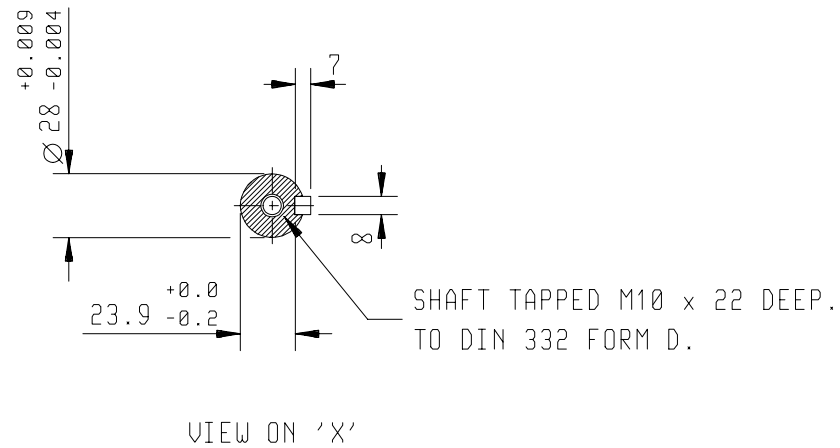
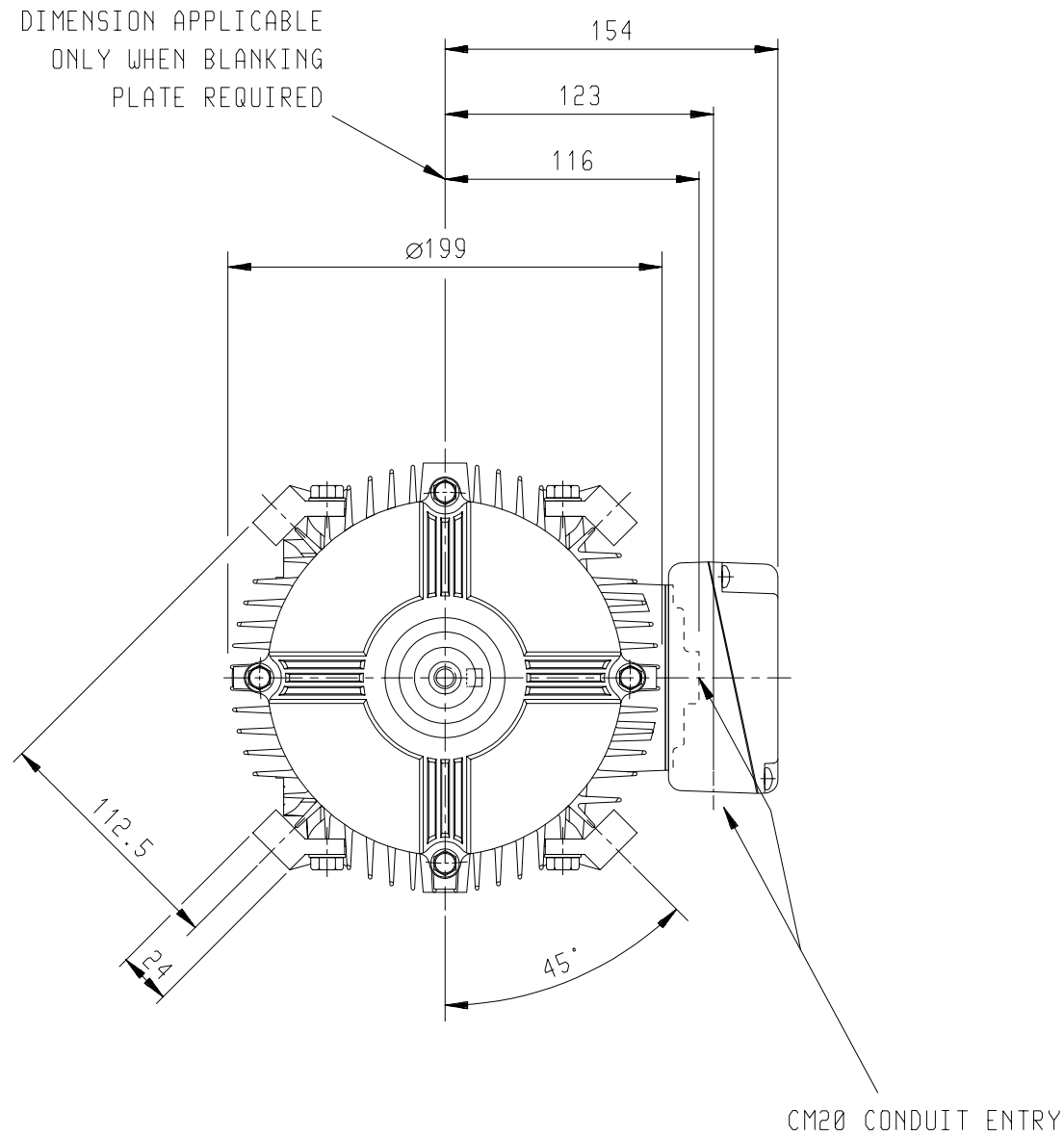
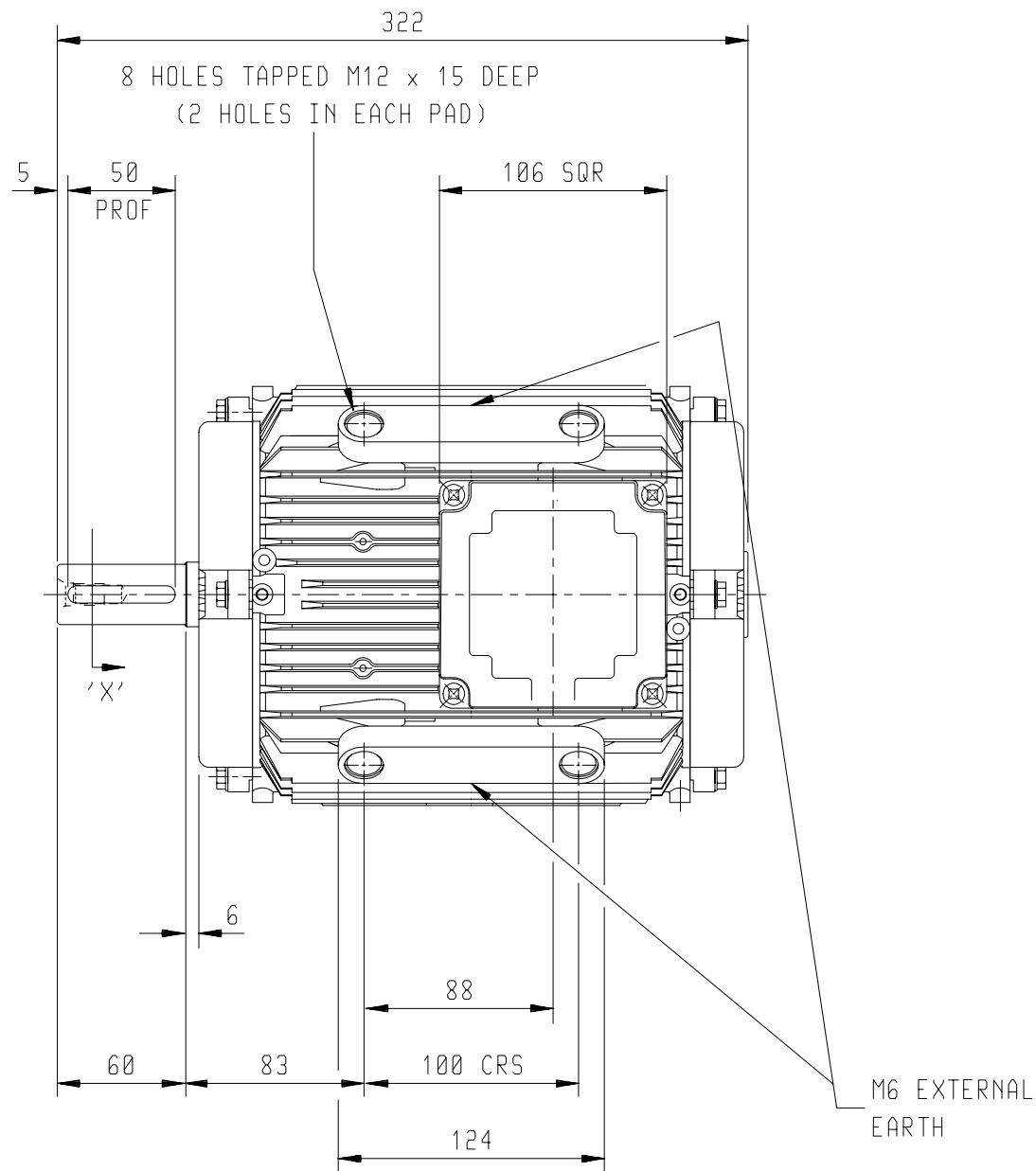
FIRST ANGLE PROJECTION

BROOK CROMPTON

Small Industrial Motors
 Huddersfield, W.Yorkshire, HD1 3LJ

SHEET SIZE A3	TITLE	OUTLINE DIMENSION DRAWING W ALUMINIUM TOTALLY ENCLOSED FAN COOLED 100L FRAME FOOT AND 'C' FACE MOUNTED MOTOR	NAME	DATE
			DRAWN MI	19-09-94
			CHECKED JWD	19-09-94
			SCALE 1:3.5	

DRG. No. W10GC000/3			
DRG. REF.			
REVISION:	VLS	DATE	30-04-01



TERMINAL BOX POSITION:- CAN BE ARRANGED AT EITHER 9,12 OR 3 O'CLOCK.
 STANDARD TERMINAL BOX POSITION IS 3 O'CLOCK AS SHOWN.
 CONDUIT ENTRIES:- TERMINAL BOX CAN BE ROTATED AT 90° INTERVALS
 (CONDUIT ENTRY POSITION SHOWN FOR ILLUSTRATION ONLY).

CUSTOMER		
ORDER No.		
PART No.		
FRAME SIZE		
KW.	RPM.	
Hz	PHASE	
VOLTS	POLES	
BRGS.	DE.	NDE.
MOTOR NETT WT.		Kg.
SPECIAL REMARKS		

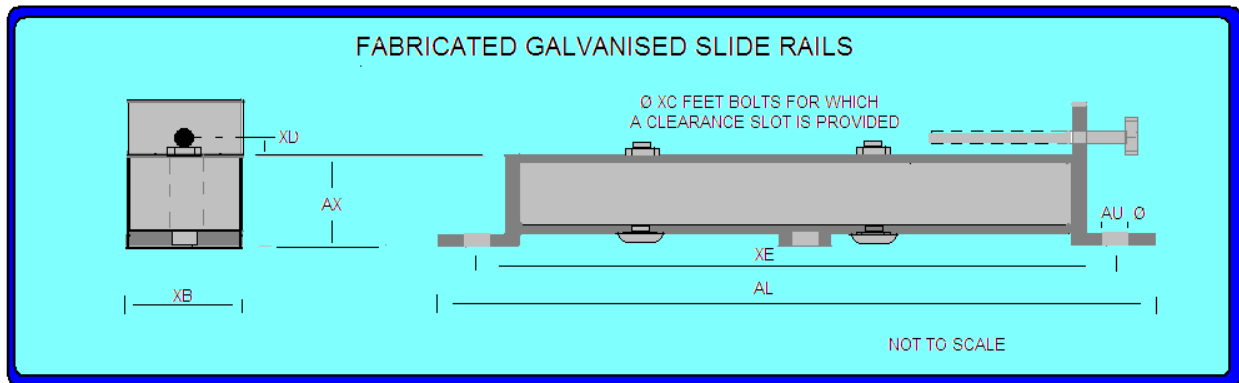
ALL DIMENSIONS IN MILLIMETRES.
 FIRST ANGLE PROJECTION

BROOK CROMPTON
 Small Industrial Motors
 Huddersfield, W.Yorkshire, HD1 3LJ

SHEET SIZE A3	TITLE	OUTLINE DIMENSION DRAWING W ALUMINIUM TOTALLY ENCLOSED NO FAN 100L FRAME PAD MOUNTED MOTOR	NAME	DATE	
			DRAWN	MI	19-09-94
			CHECKED	JWD	19-09-94
			SCALE	1:3.5	

DRG. No.	W10GP000/3		
DRG. REF.			
REVISION:	DH	DATE	13-07-04

Slide Rails



Code	AL	AU	AX	XB	XD	XE	Bolt Size	Frame Size	BT	XC Motor Foot Bolts
M1013	470	12	44	45	6	430	M10 X 200	100	171	M10 X 60
								112	137	
								132	106	