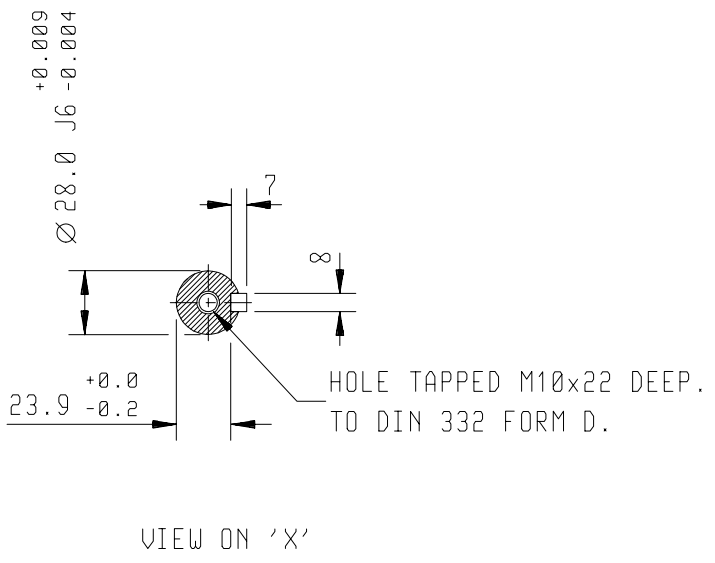
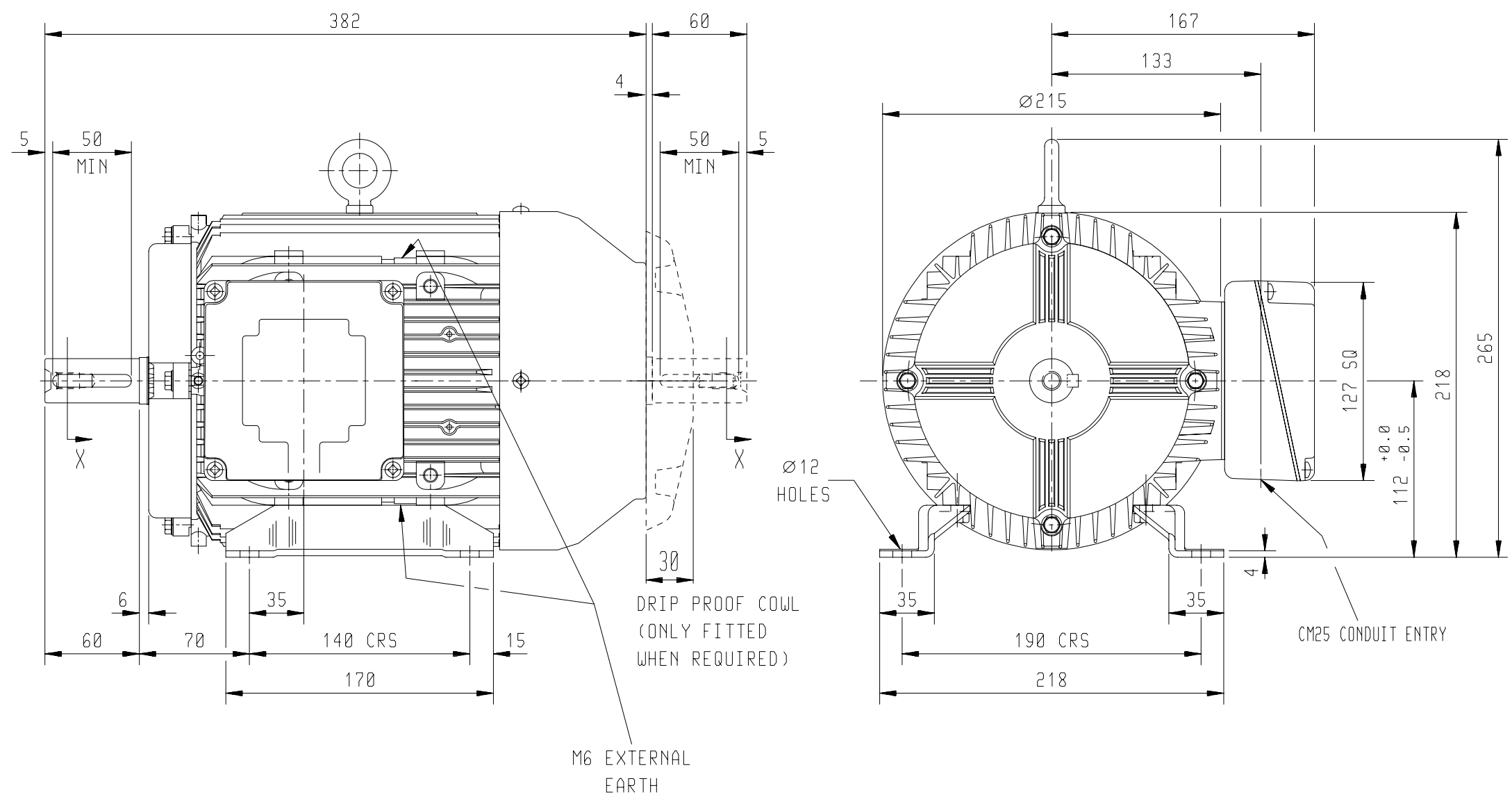


CUSTOMER		
ORDER No.		
PART No.		
FRAME SIZE		
KW.	RPM.	
Hz	PHASE	
VOLTS	POLES	
BRGS.	DE.	NDE.
MOTOR NETT WT.		Kg.
SPECIAL REMARKS		



TERMINAL BOX POSITION:- CAN BE ARRANGED AT EITHER 9,12 OR 3 O'CLOCK BY MOVING FEET. STANDARD TERMINAL BOX POSITION IS 3 O'CLOCK AS SHOWN.
 CONDUIT ENTRIES:- TERMINAL BOX CAN BE ROTATED AT 90° INTERVALS (CONDUIT ENTRY POSITION SHOWN FOR ILLUSTRATION ONLY).

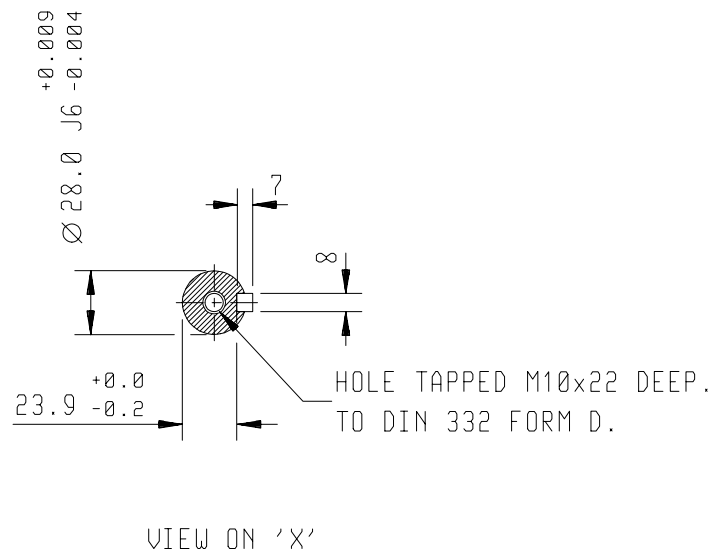
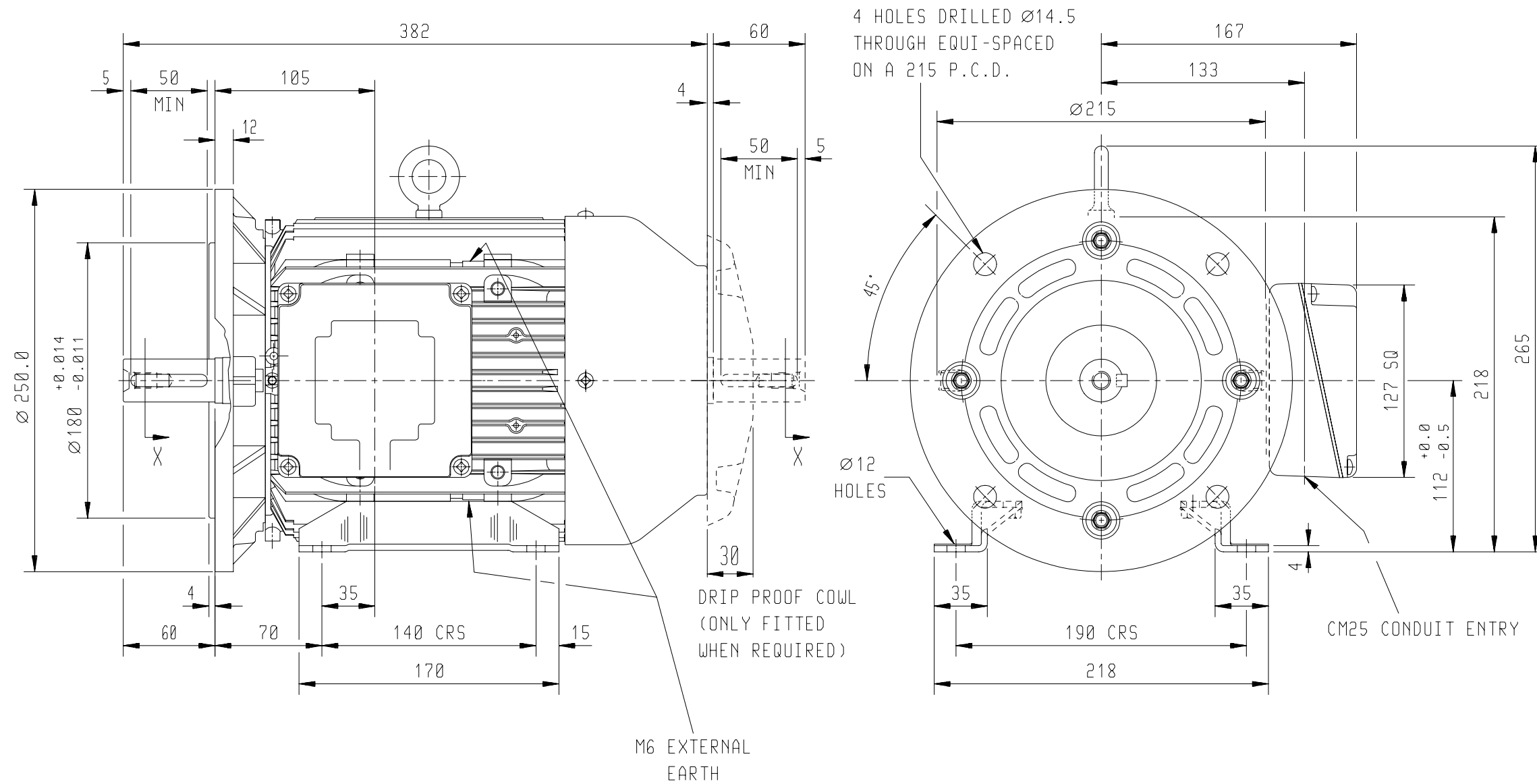
ALL DIMENSIONS IN MILLIMETRES.
 FIRST ANGLE PROJECTION

BROOK CROMPTON
 Small Industrial Motors
 Huddersfield, W. Yorkshire, HD1 3LJ

SHEET SIZE A3	TITLE	OUTLINE DIMENSION DRAWING W ALUMINIUM TOTALLY ENCLOSED FAN COOLED 112M FRAME FOOT MOUNTED MOTOR
	DRAWN	MI 14-03-94
	CHECKED	JWD 14-03-94
	SCALE	1:3.5

DRG. No.	W12GF000/3		
DRG. REF.	-----		
REVISION:	RR	DATE	28/05/03

CUSTOMER		
ORDER No.		
PART No.		
FRAME SIZE		
KW.	RPM.	
Hz	PHASE	
VOLTS	POLES	
BRGS.	DE.	NDE.
MOTOR NETT WT.		Kg.
SPECIAL REMARKS		



TERMINAL BOX POSITION:- CAN BE ARRANGED AT EITHER 9,12 OR 3 O'CLOCK BY MOVING FEET. STANDARD TERMINAL BOX POSITION IS 3 O'CLOCK AS SHOWN.
 CONDUIT ENTRIES:- TERMINAL BOX CAN BE ROTATED AT 90° INTERVALS (CONDUIT ENTRY POSITION SHOWN FOR ILLUSTRATION ONLY).

ALL DIMENSIONS IN MILLIMETRES.

FIRST ANGLE PROJECTION

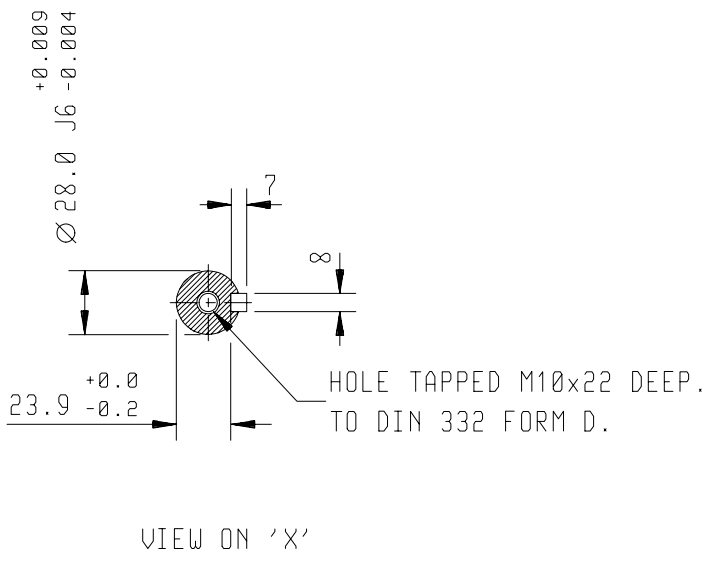
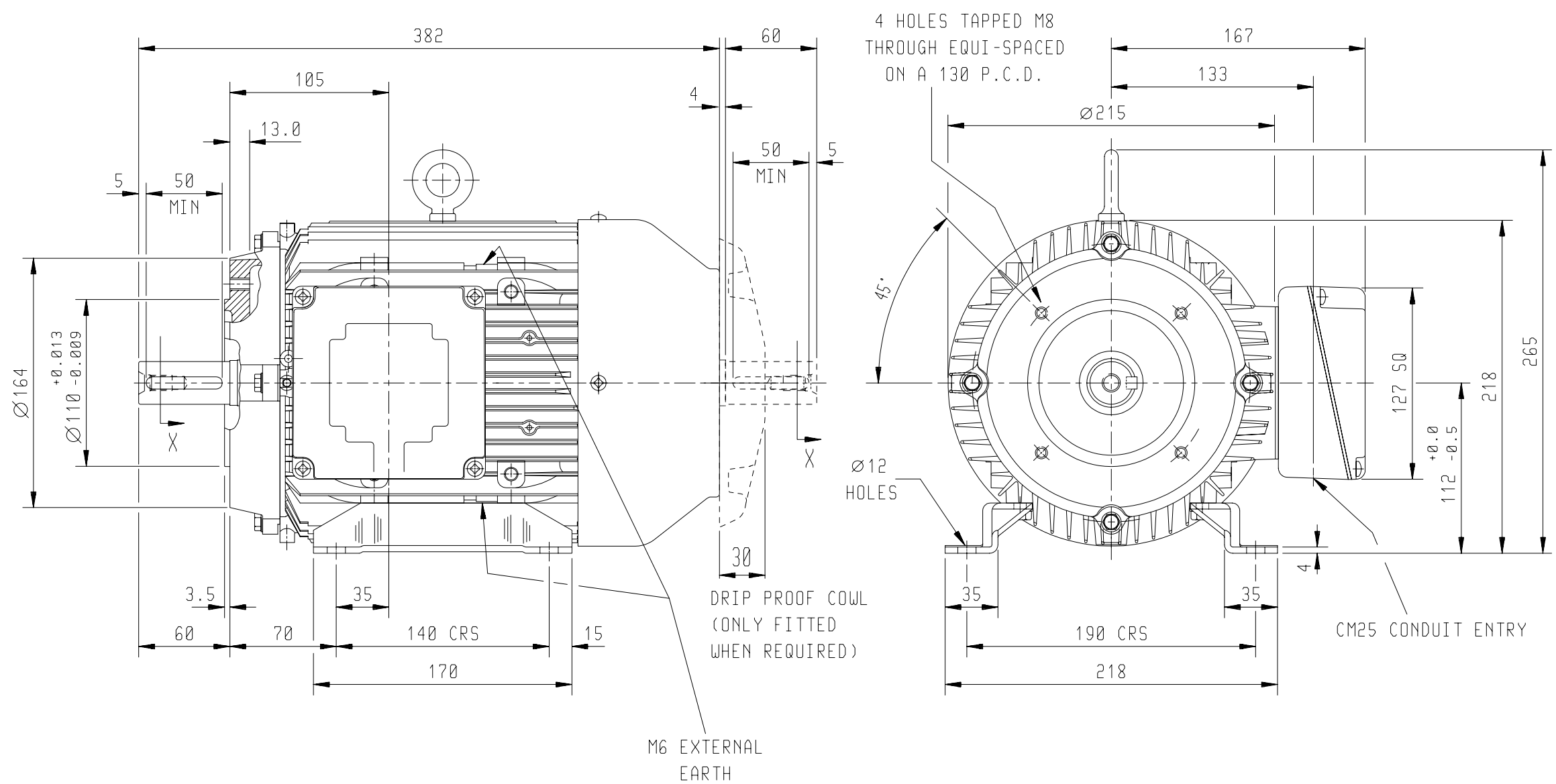
BROOK CROMPTON

Small Industrial Motors
 Huddersfield, W. Yorkshire, HD1 3LJ

SHEET SIZE A3	TITLE	OUTLINE DIMENSION DRAWING W ALUMINIUM TOTALLY ENCLOSED FAN COOLED 112M FRAME FOOT AND 'D' FLANGE MOUNTED MOTOR	NAME	DATE
			DRAWN MI	20-09-94
			CHECKED JWD	20-09-94
			SCALE 1:3.5	

DRG. No.	W12GD000/4		
DRG. REF.			
REVISION:	RR	DATE	30/05/03

CUSTOMER		
ORDER No.		
PART No.		
FRAME SIZE		
KW.	RPM.	
Hz	PHASE	
VOLTS	POLES	
BRGS.	DE.	NDE.
MOTOR NETT WT.		Kg.
SPECIAL REMARKS		



CARE SHOULD BE TAKEN TO ENSURE THAT THE SCREWS OR STUDS DO NOT EXTEND INSIDE THE MOTOR BEYOND THE DEPTH OF THE TAPPED FIXING HOLE.
 TERMINAL BOX POSITION:- CAN BE ARRANGED AT EITHER 9,12 OR 3 O'CLOCK BY MOVING FEET. STANDARD TERMINAL BOX POSITION IS 3 O'CLOCK AS SHOWN.
 CONDUIT ENTRIES:- TERMINAL BOX CAN BE ROTATED AT 90° INTERVALS (CONDUIT ENTRY POSITION SHOWN FOR ILLUSTRATION ONLY).

ALL DIMENSIONS IN MILLIMETRES.

FIRST ANGLE PROJECTION

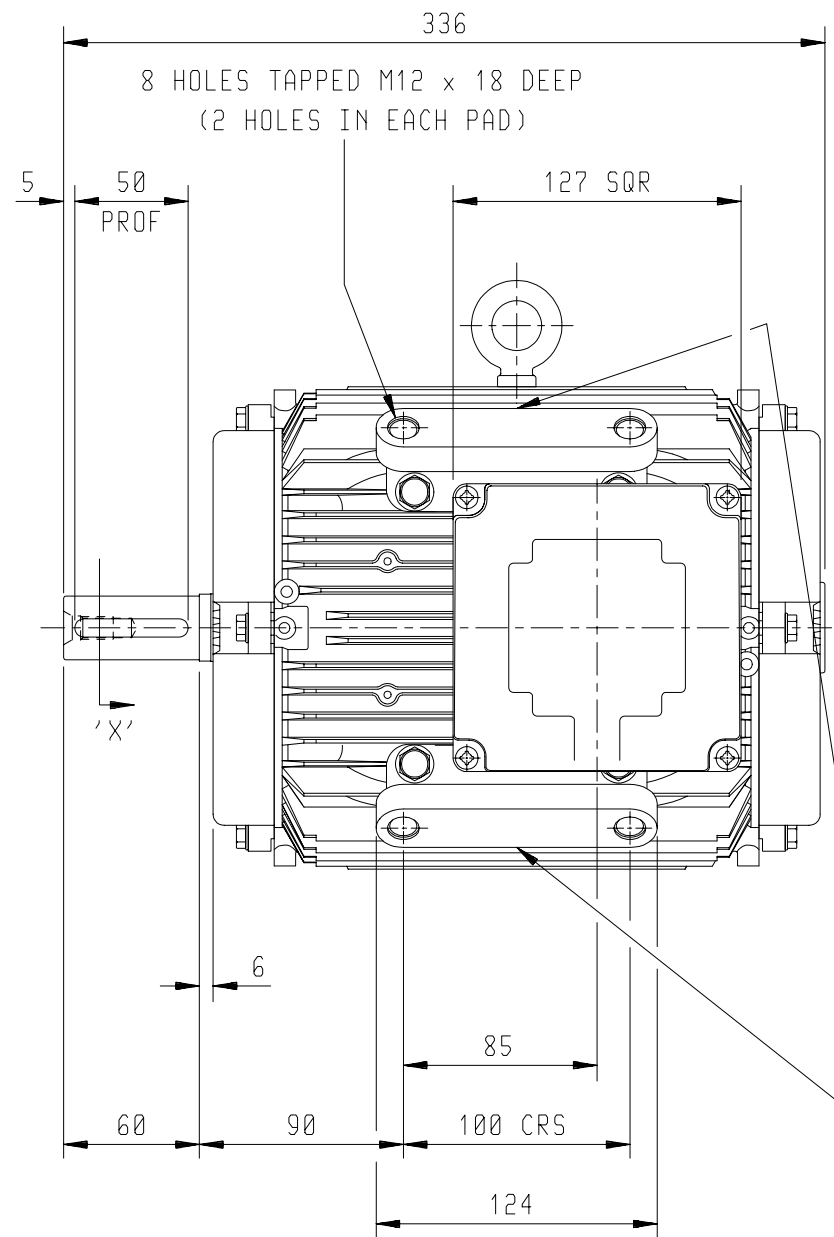
BROOK CROMPTON

Small Industrial Motors
 Huddersfield, W. Yorkshire, HD1 3LJ

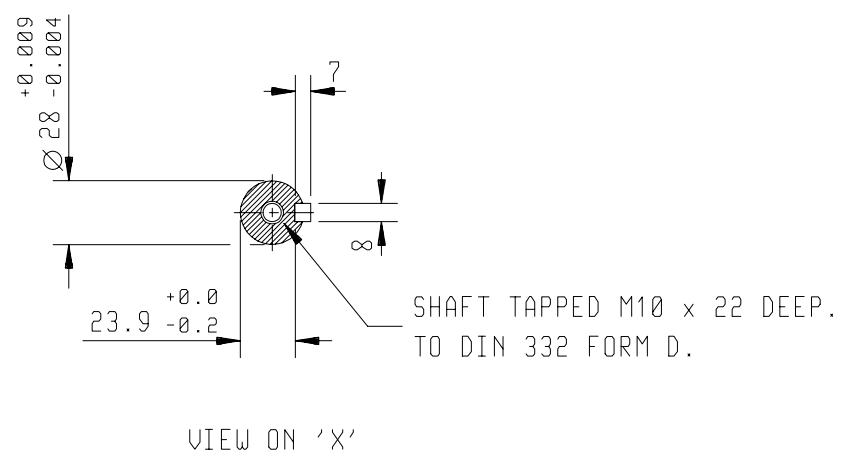
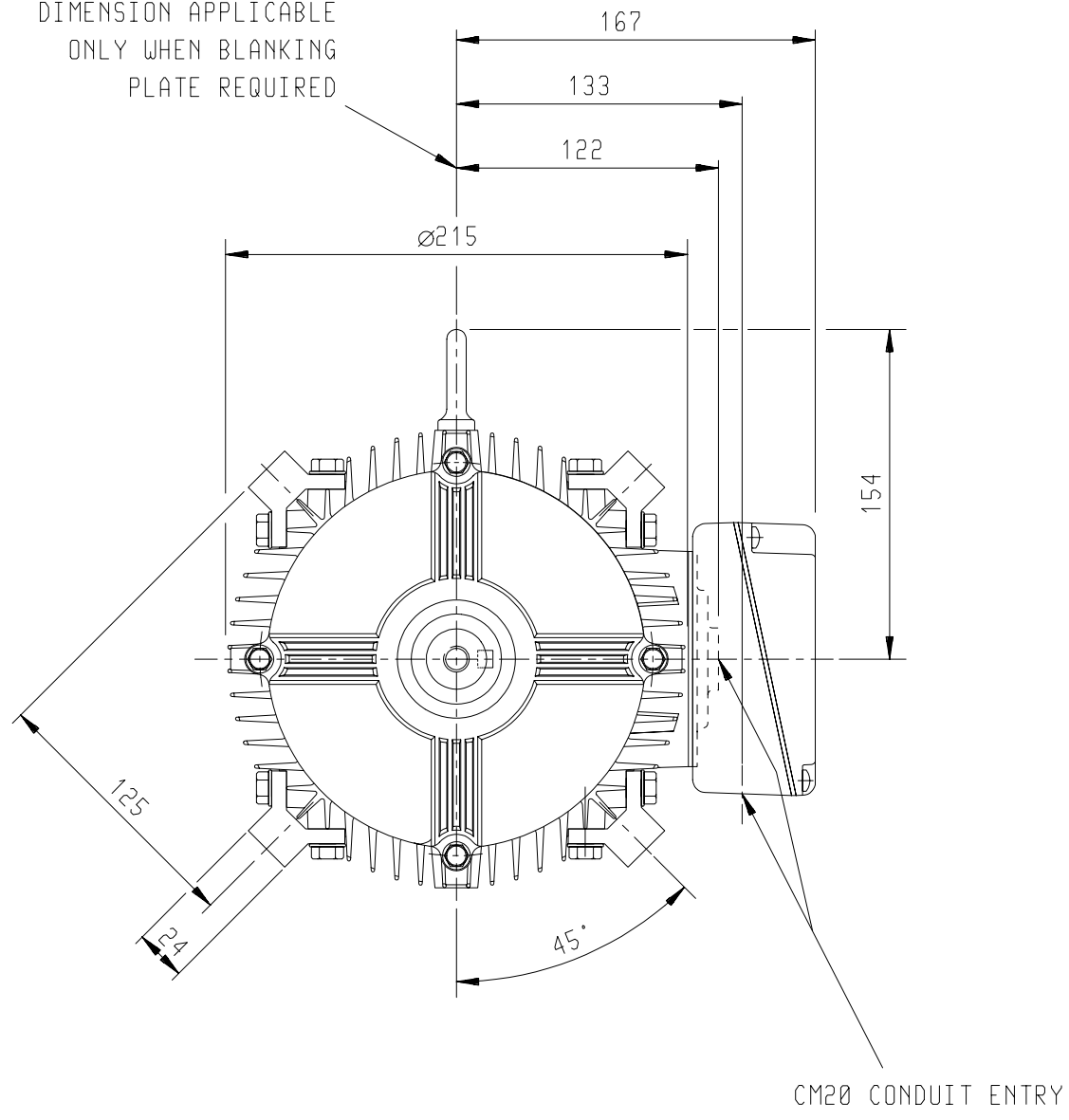
SHEET SIZE A3	TITLE	OUTLINE DIMENSION DRAWING W ALUMINIUM TOTALLY ENCLOSED FAN COOLED 112M FRAME FOOT AND 'C' FACE MOUNTED MOTOR	NAME	DATE
			DRAWN	MI 20-09-94
			CHECKED	JWD 20-09-94
			SCALE	1:3.5

DRG. No.	W12GC000/4		
DRG. REF.	-----		
REVISION:	RR	DATE	04/06/03

DIMENSION APPLICABLE
 ONLY WHEN BLANKING
 PLATE REQUIRED



M6 EXTERNAL EARTH



TERMINAL BOX POSITION:- CAN BE ARRANGED AT EITHER 9,12 OR 3 O'CLOCK.
 STANDARD TERMINAL BOX POSITION IS 3 O'CLOCK AS SHOWN.
 CONDUIT ENTRIES:- TERMINAL BOX CAN BE ROTATED AT 90° INTERVALS
 (CONDUIT ENTRY POSITION SHOWN FOR ILLUSTRATION ONLY).

CUSTOMER		
ORDER No.		
PART No.		
OUR ORDER No.		
FRAME SIZE		
KW.	RPM.	
Hz	PHASE	
VOLTS	POLES	
BRGS.	DE.	NDE.
MOTOR NETT WT.		Kg.
SPECIAL REMARKS		

ALL DIMENSIONS IN MILLIMETRES.



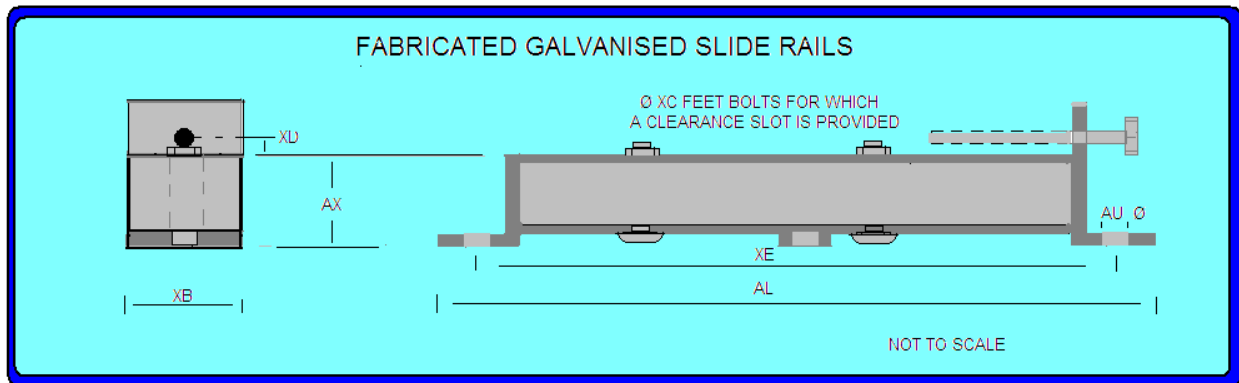
BROOK CROMPTON

Small Industrial Motors
 Huddersfield, W.Yorkshire, HD1 3LJ

SHEET SIZE A3	TITLE	OUTLINE DIMENSION DRAWING W ALUMINIUM TOTALLY ENCLOSED NO FAN 112M FRAME PAD MOUNTED MOTOR	NAME	DATE	
			DRAWN	MI	20-09-94
			CHECKED	JWD	20-09-94
			SCALE	1:3.5	

DRG. No.	W12GP000/3		
DRG. REF.			
REVISION:	RR	DATE	06/06/03

Slide Rails



Code	AL	AU	AX	XB	XD	XE	Bolt Size	Frame Size	BT	XC Motor Foot Bolts
M1013	470	12	44	45	6	430	M10 X 200	100	171	M10 X 60
								112	137	
								132	106	