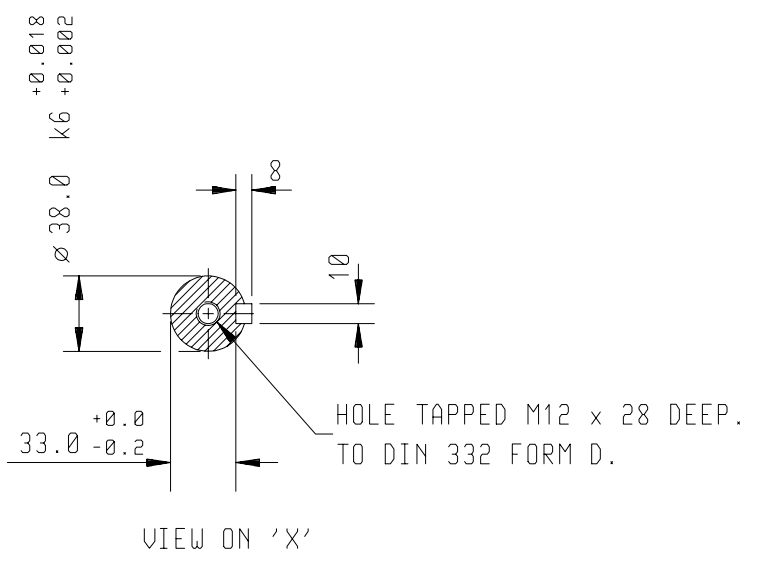
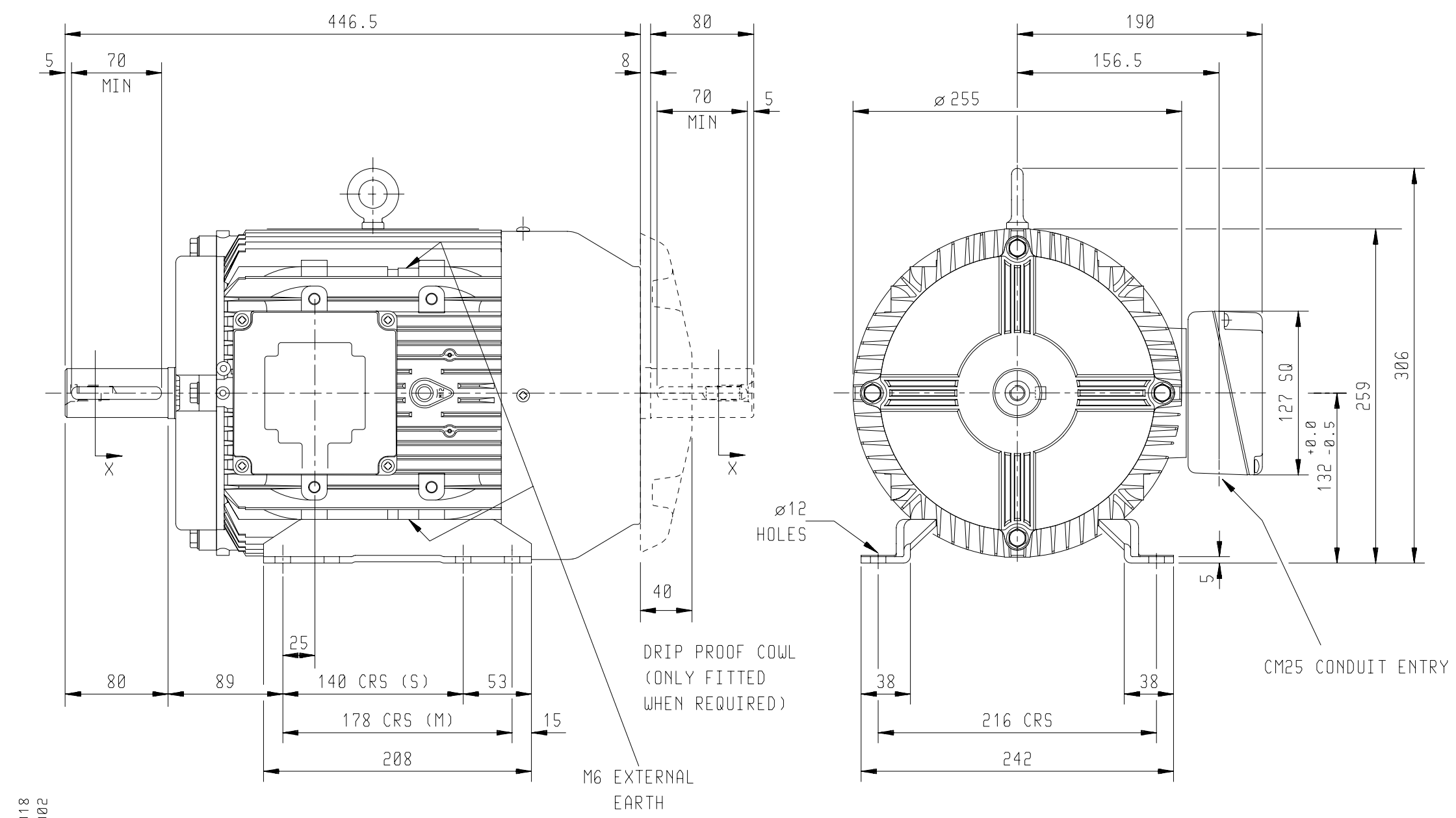


CUSTOMER.		
ORDER No.		
PART No.		
FRAME SIZE.		
KW.	RPM.	
Hz.	PHASE.	
VOLTS.	POLES.	
BRGS.	DE.	NDE.
MOTOR NETT WT.		Kg.
SPECIAL REMARKS		



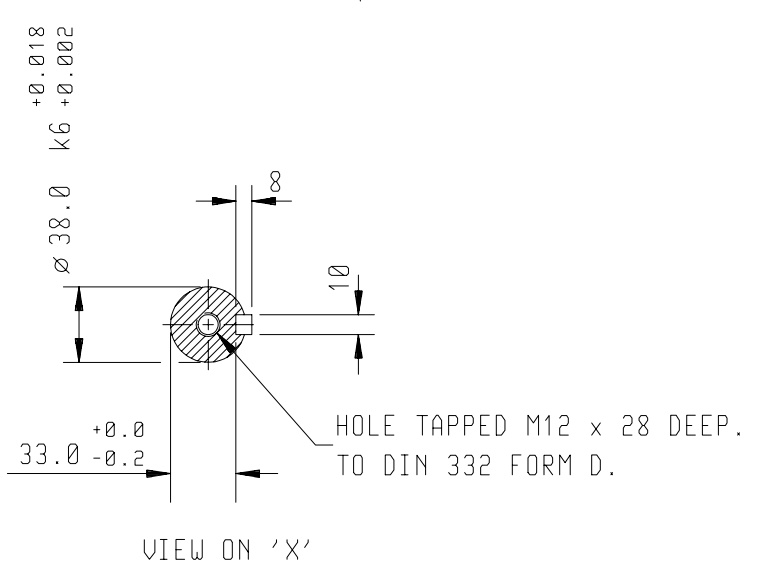
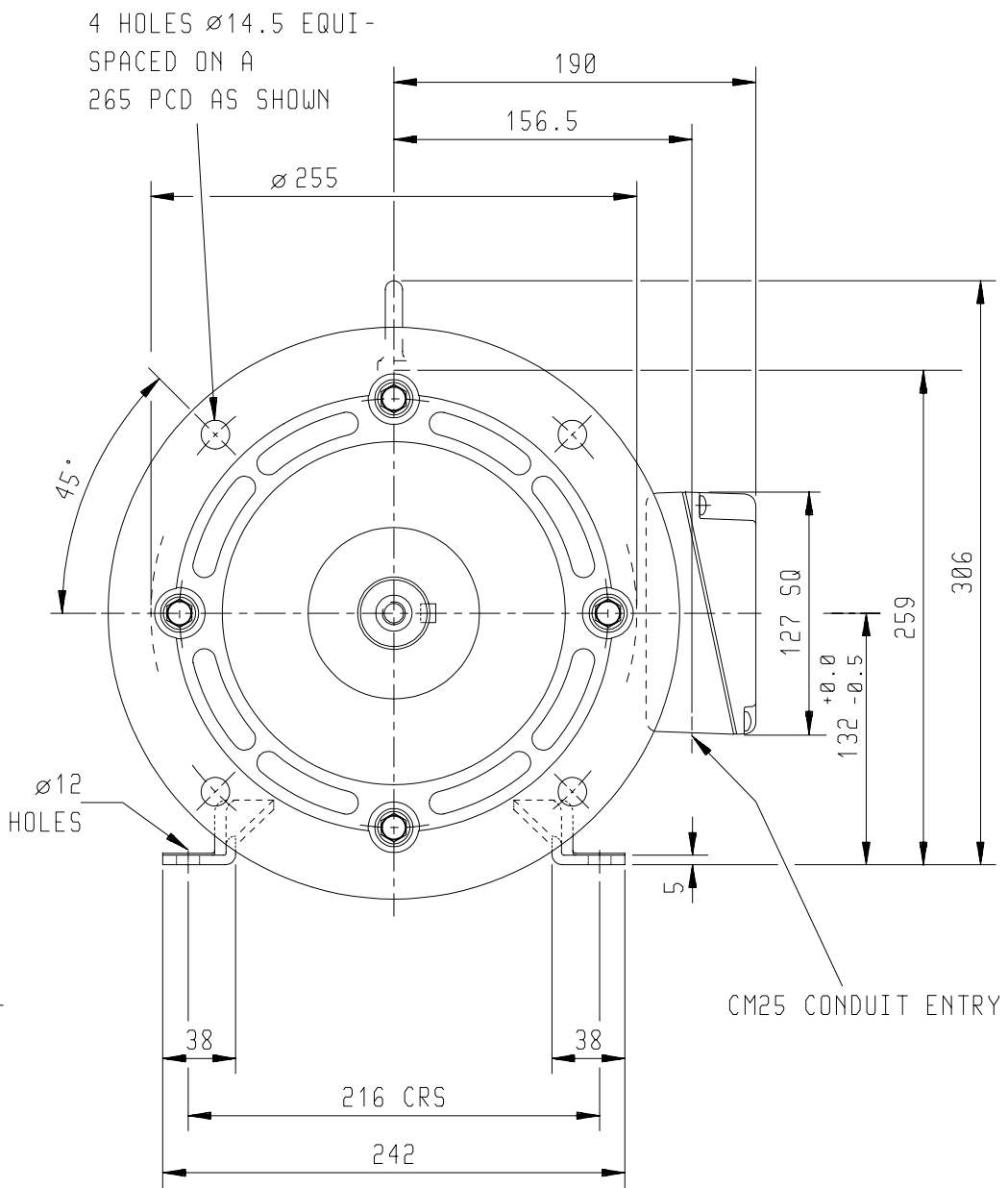
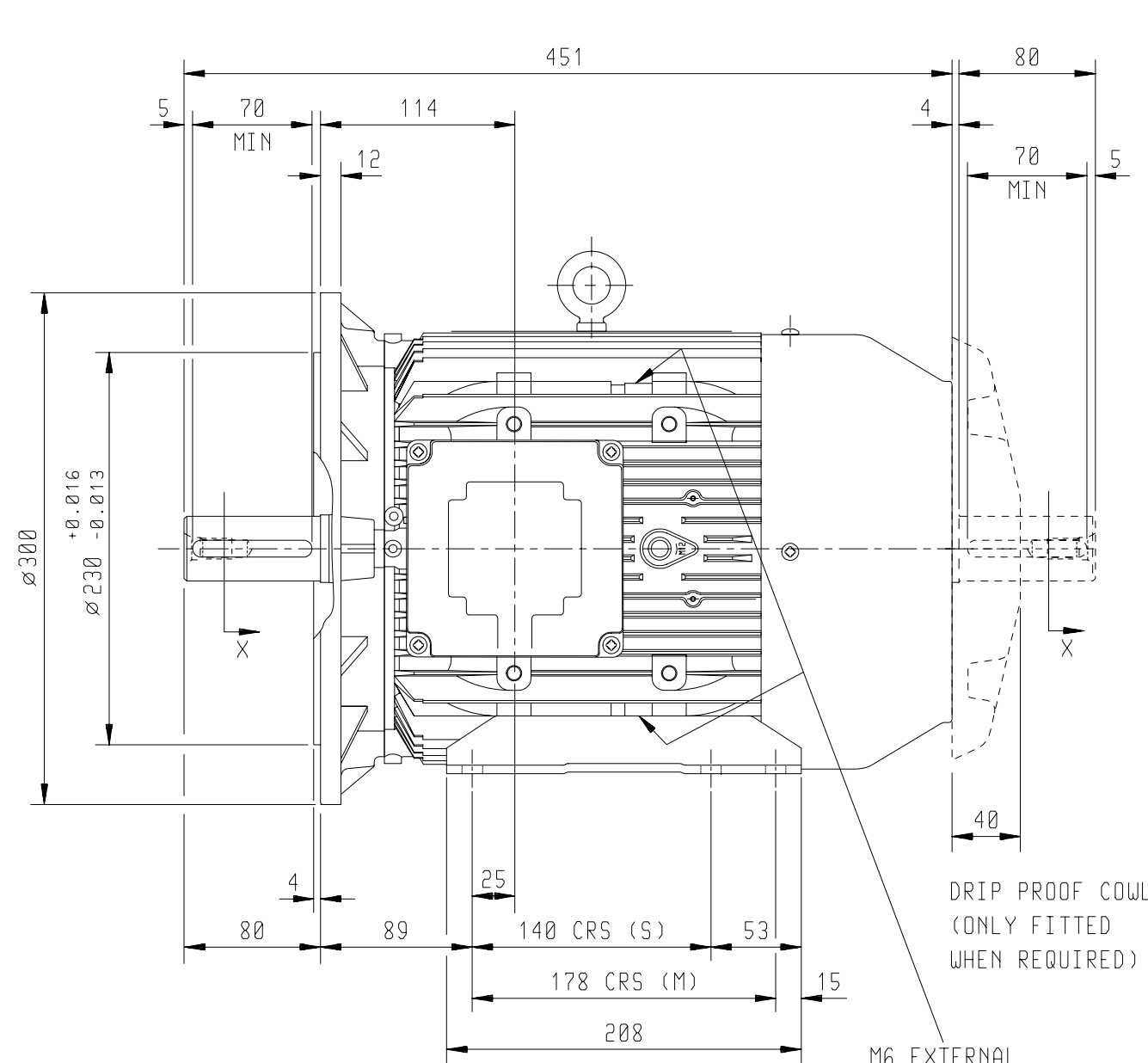
TERMINAL BOX POSITION : - CAN BE ARRANGED AT EITHER 9, 12 OR 3 O'CLOCK BY MOVING FEET.
 STANDARD TERMINAL BOX POSITION IS 3 O'CLOCK AS SHOWN.
 CONDUIT ENTRIES:- TERMINAL BOX CAN BE ROTATED AT 90° INTERVALS
 (CONDUIT ENTRY POSITION SHOWN FOR ILLUSTRATION ONLY).

ALL DIMENSIONS IN MILLIMETRES.
 FIRST ANGLE PROJECTION

BROOK CROMPTON
 Small Industrial Motors
 Huddersfield, W. Yorkshire, HD1 3LJ

SHEET SIZE A3	TITLE	OUTLINE DIMENSION DRAWING W ALUMINIUM TOTALLY ENCLOSED FAN COOLED 132S/M FRAME FOOT MOUNTED MOTOR	NAME	DATE
			DRAWN	MI 22-08-95
			CHECKED	JWD 22-08-95
			SCALE	1 : 4

DRG. No.	W28GF000/3		
DRG. REF.			
REVISION:	DH	DATE	04/08/03



TERMINAL BOX POSITION : - CAN BE ARRANGED AT EITHER 9, 12 OR 3 O'CLOCK BY MOVING FEET. STANDARD TERMINAL BOX POSITION IS 3 O'CLOCK AS SHOWN.
 CONDUIT ENTRIES:- TERMINAL BOX CAN BE ROTATED AT 90° INTERVALS (CONDUIT ENTRY POSITION SHOWN FOR ILLUSTRATION ONLY).

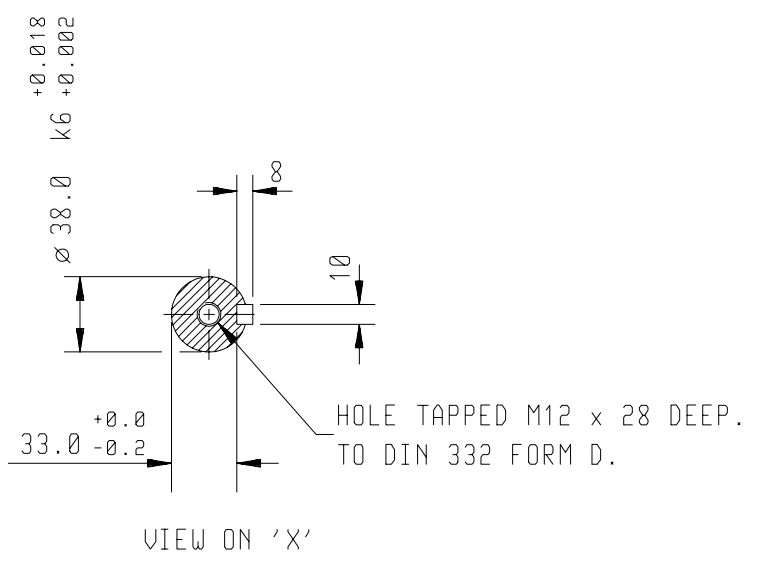
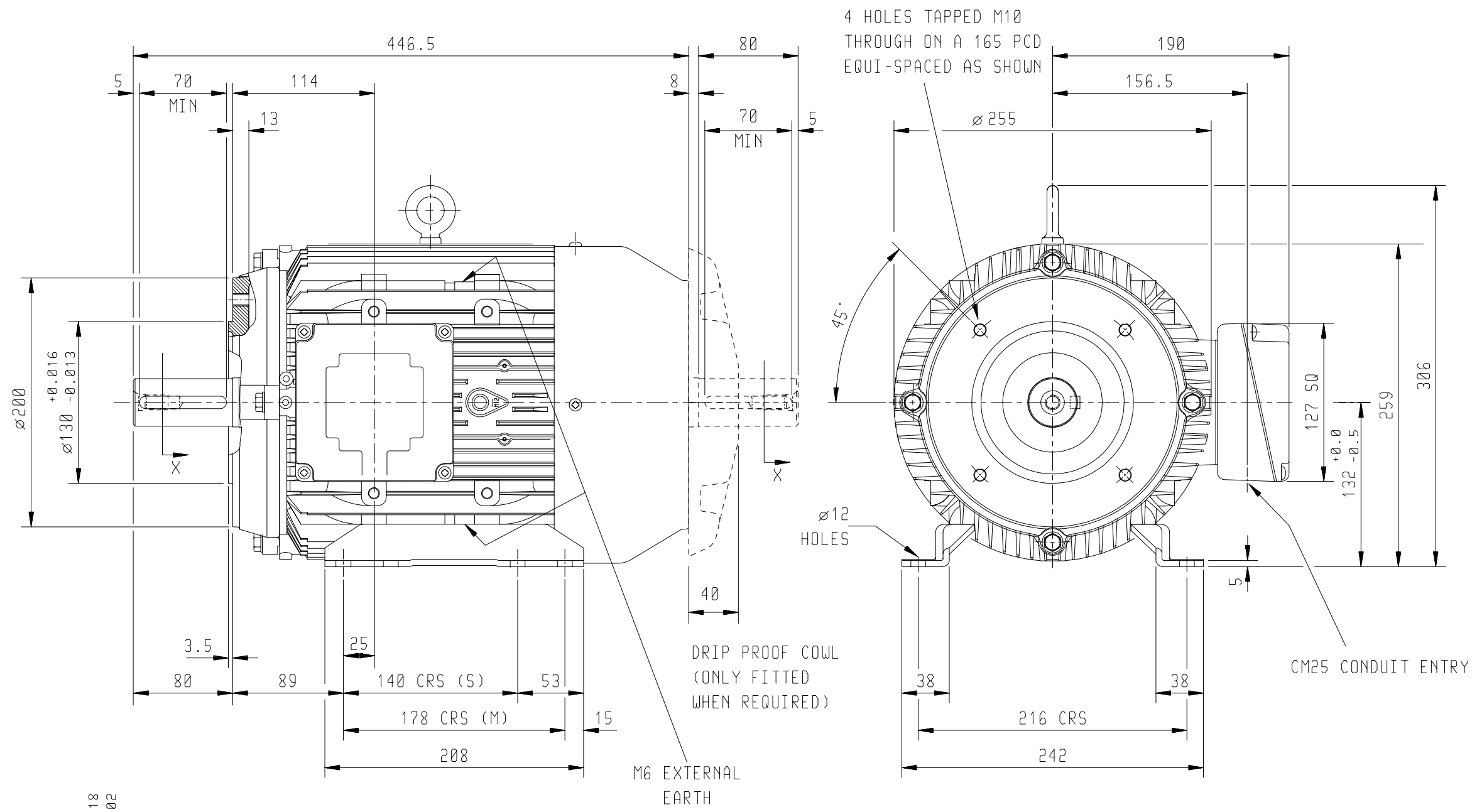
CUSTOMER		
ORDER No.		
PART No.		
OUR ORDER No.		
FRAME SIZE		
KW.	RPM.	
Hz	PHASE	
VOLTS	POLES	
BRGS.	DE.	NDE.
MOTOR NETT WT.		Kg.
SPECIAL REMARKS		

ALL DIMENSIONS IN MILLIMETRES.
 FIRST ANGLE PROJECTION

BROOK CROMPTON
 Small Industrial Motors
 Huddersfield, W.Yorkshire, HD1 3LJ

SHEET SIZE A3	TITLE	OUTLINE DIMENSION DRAWING W ALUMINIUM TOTALLY ENCLOSED FAN COOLED 132S/M FRAME FOOT AND 'D' FLANGE MOUNTED MOTOR	NAME	DATE
			DRAWN	MI 22-08-95
			CHECKED	JWD 22-08-95
			SCALE	1 : 4

DRG. No.	W28GD000/5		
DRG. REF.			
REVISION:	DH	DATE	04/08/03



CARE SHOULD BE TAKEN TO ENSURE THAT THE SCREWS OR STUDS DO NOT EXTEND INSIDE THE MOTOR BEYOND THE DEPTH OF THE TAPPED FIXING HOLE.
 TERMINAL BOX POSITION : - CAN BE ARRANGED AT EITHER 9, 12 OR 3 O'CLOCK BY MOVING FEET. STANDARD TERMINAL BOX POSITION IS 3 O'CLOCK AS SHOWN.
 CONDUIT ENTRIES:- TERMINAL BOX CAN BE ROTATED AT 90° INTERVALS (CONDUIT ENTRY POSITION SHOWN FOR ILLUSTRATION ONLY).

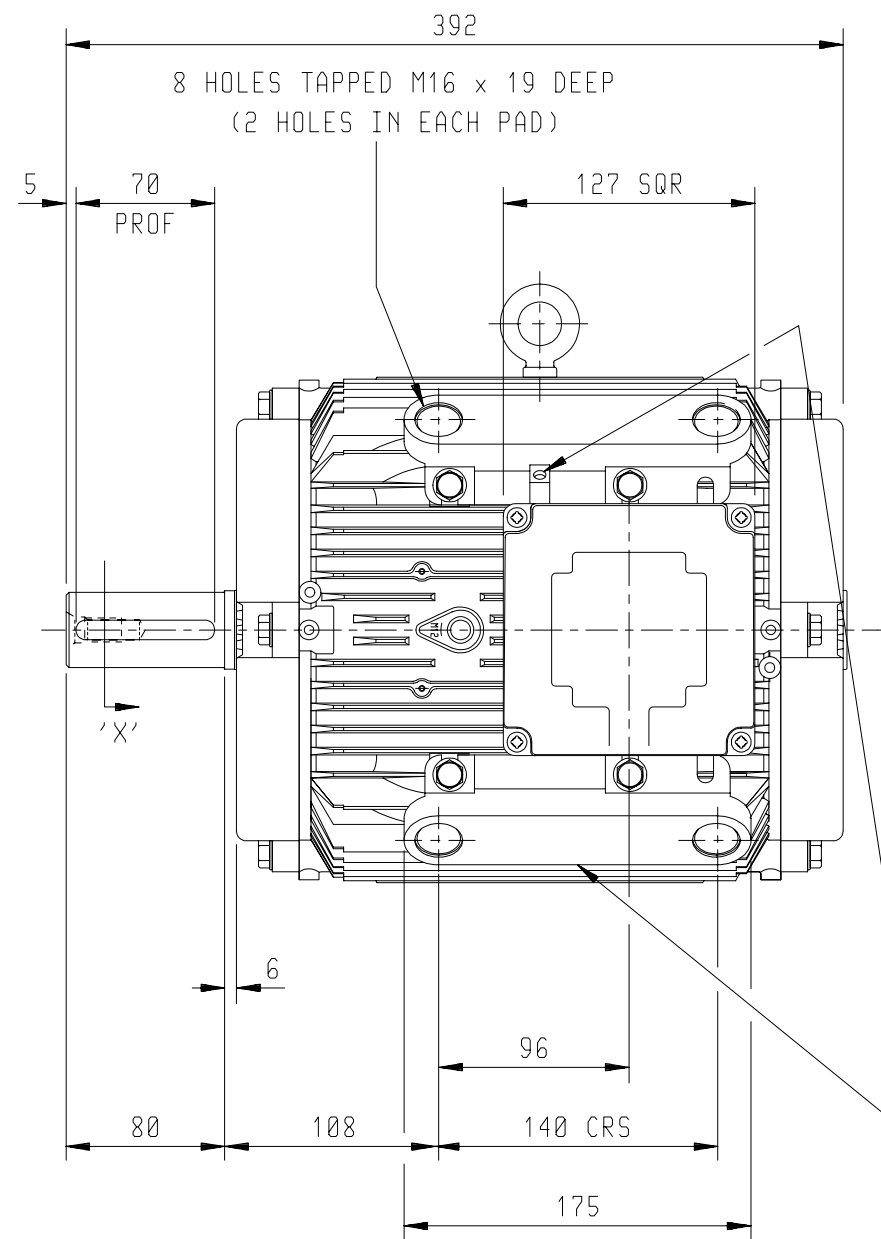
CUSTOMER		
ORDER No.		
PART No.		
OUR ORDER No.		
FRAME SIZE		
KW.	RPM.	
Hz	PHASE	
VOLTS	POLES	
BRGS.	DE.	NDE.
MOTOR NETT WT.		Kg.
SPECIAL REMARKS		

ALL DIMENSIONS IN MILLIMETRES.
 FIRST ANGLE PROJECTION

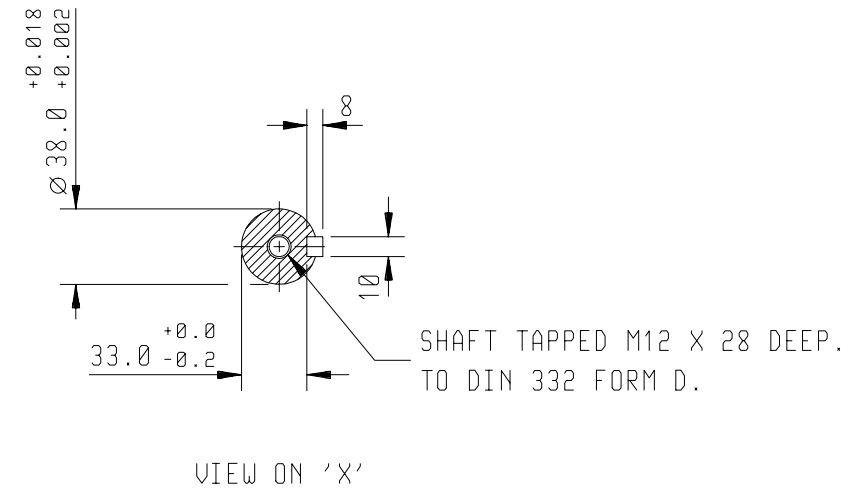
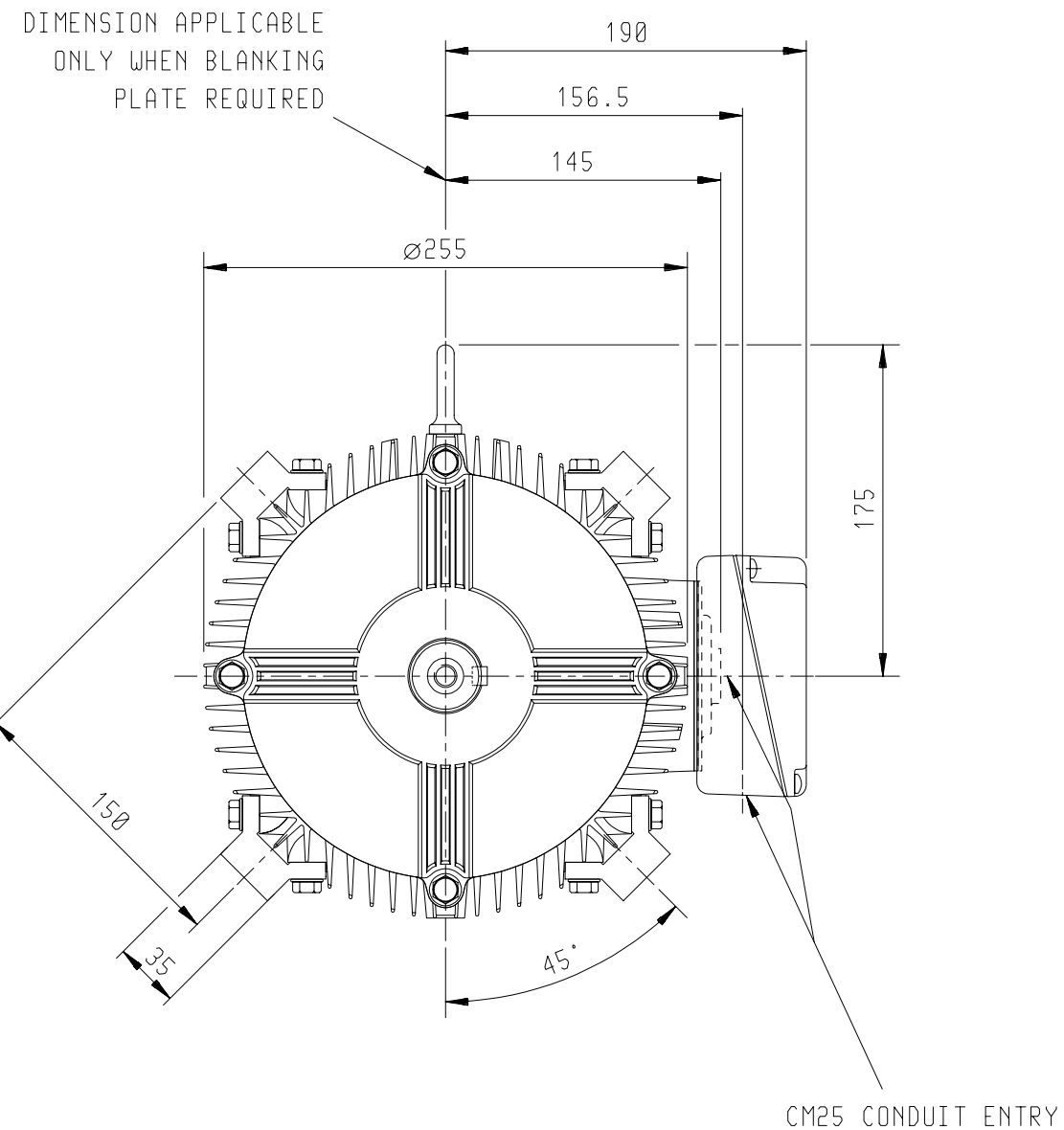
BROOK CROMPTON
 Small Industrial Motors
 Huddersfield, W. Yorkshire, HD1 3LJ

SHEET SIZE A3	TITLE	NAME	DATE
	OUTLINE DIMENSION DRAWING W ALUMINIUM TOTALLY ENCLOSED FAN COOLED	MI	22-08-95
	132S/M FRAME 'C' FACE WITH FEET MOUNTED MOTOR	JWD	22-08-95
		SCALE	1 : 4

DRG. No.	W28GC000/4		
DRG. REF.			
REVISION:	DH	DATE	04/08/03



M6 EXTERNAL EARTH



TERMINAL BOX POSITION:- CAN BE ARRANGED AT EITHER 9,12 OR 3 O'CLOCK. STANDARD TERMINAL BOX POSITION IS 3 O'CLOCK AS SHOWN.
 CONDUIT ENTRIES:- TERMINAL BOX CAN BE ROTATED AT 90° INTERVALS (CONDUIT ENTRY POSITION SHOWN FOR ILLUSTRATION ONLY).

CUSTOMER		
ORDER No.		
PART No.		
OUR ORDER No.		
FRAME SIZE		
KW.	RPM.	
Hz	PHASE	
VOLTS	POLES	
BRGS.	DE.	NDE.
MOTOR NETT WT.		Kg.
SPECIAL REMARKS		

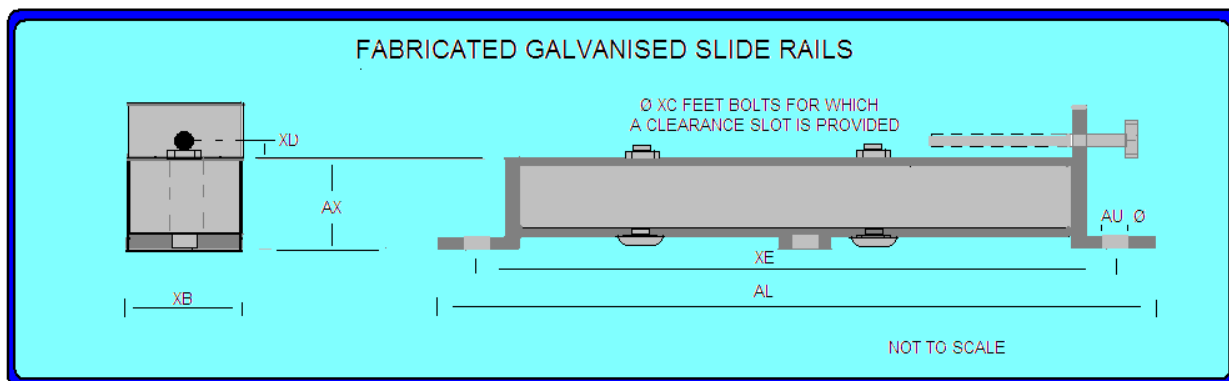
ALL DIMENSIONS IN MILLIMETRES.
 FIRST ANGLE PROJECTION

BROOK CROMPTON
 Small Industrial Motors
 Huddersfield, W.Yorkshire, HD1 3LJ

SHEET SIZE A3	TITLE	OUTLINE DIMENSION DRAWING W ALUMINIUM TOTALLY ENCLOSED NO FAN 132S/M FRAME PAD MOUNTED MOTOR
	DRAWN	MI 20-09-94
	CHECKED	JWD 20-09-94
	SCALE	1:4

DRG. No.	W28GP000/3		
DRG. REF.			
REVISION:	DH	DATE	05/08/03

Slide Rails



Code	AL	AU	AX	XB	XD	XE	Bolt Size	Frame Size	BT	XC Motor Foot Bolts
M1013	470	12	44	45	6	430	M10 X 200	100	171	M10 X 60
								112	137	
								132	106	