

120TYD Low Speed PM AC Synchronous Motor



Single-phase

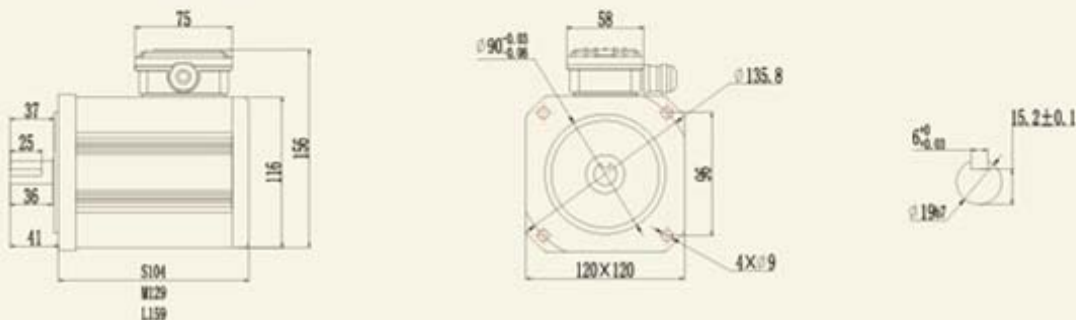
TYPE	Rated Torque N.m	Frequency Hz	Voltage V	Current A	Synchronous Speed rpm	Capacitor μ F/V	Resistance Ω /W	Inertial Load Kg/c ²	Bearing Force AD N	Radial N	Weight kg		
120TYD-ACR60	M	8.5	50	100	1.7	60	25/250	80/200	27	110	320	6.0	
			60	110		72							
			50	220	0.77	60	6.0/400						350/200
			60	240		72							
120TYD-ACR115	M	5.5	50	100	1.6	115.4	23/250	100/120	13	110	320	5.85	
			60	110		138.5							
			50	220	0.73	115.4	5/400						430/120
			60	240		138.5							
120TYD-ACR115	L	8	50	100	2.4	115.4	35/250	70/200	18	100	280	7.9	
			60	110		138.5							
			50	220	1.08	115.4	8.0/400						300/200
			60	240		138.5							

Three-Phase

TYPE	Rated Torque N.m	Frequency Hz	Rated Current A				Synchronous Speed rpm	Inertial Load Kg/c ²	Bearing Force AD N	Radial N	Weight kg	
120TYD-S30	M	11	50	200V	220V	380V	415V	30	48	110	320	6.0
				0.46	0.42	0.24	0.22					
				220V	240V	440V	480V	36				
				0.43	0.4	0.23	0.21					
120TYD-S30	L	17.5	50	200V	220V	380V	415V	30	71	100	280	8.0
				0.68	0.62	0.36	0.33					
				220V	240V	440V	480V	36				
				0.65	0.59	0.34	0.31					
120TYD-S60	M	11	50	200V	220V	380V	415V	60	34	110	320	6.0
				0.63	0.57	0.33	0.3					
				220V	240V	440V	480V	72				
				0.59	0.54	0.31	0.28					
120TYD-S60	L	17.5	50	200V	220V	380V	415V	60	53	100	280	8.15
				0.91	0.83	0.48	0.44					
				220V	240V	440V	480V	72				
				0.86	0.79	0.46	0.42					
120TYD-S115	M	8.0	50	200V	220V	380V	415V	115.4	18	110	320	6.0
				0.66	0.6	0.35	0.32					
				220V	240V	440V	480V	138.5				
				0.62	0.57	0.33	0.3					
120TYD-S115	L	12	50	200V	220V	380V	415V	115.4	24	100	280	8.0
				0.97	0.88	0.51	0.47					
				220V	240V	440V	480V	138.5				
				0.92	0.84	0.49	0.45					
120TYD-S214	M	5.5	50	200V	220V	380V	415V	214.3	10	110	320	6.0
				0.87	0.79	0.46	0.42					
				220V	240V	440V	480V	257				
				0.82	0.75	0.44	0.4					
120TYD-S214	L	8.0	50	200V	220V	380V	415V	214.3	15	100	280	8.0
				1.3	1.18	0.68	0.63					
				220V	240V	440V	480V	257				
				1.2	1.1	0.65	0.61					

Mounting Dimension

(unit: mm)



All data is subject to confirmation by BROOK-MTL

BROOK-MTL, 63 Allens Road, East Tamaki, Auckland, New Zealand

Tel +64 9 271 6063 - Fax +64 9 271 6020 - www.brookmtl.co.nz - info@brookmtl.co.nz

Associate companies: [Rotating Machinery Supplies](http://RotatingMachinerySupplies.com), 6 Devon Road, Hamilton rotatingmachinery@clear.net.nz

Soco Electric Motors, 473 Tremain Ave, Palmerston North sales@soco.co.nz

E&OE