

170TYD Low Speed PM AC Synchronous Motor

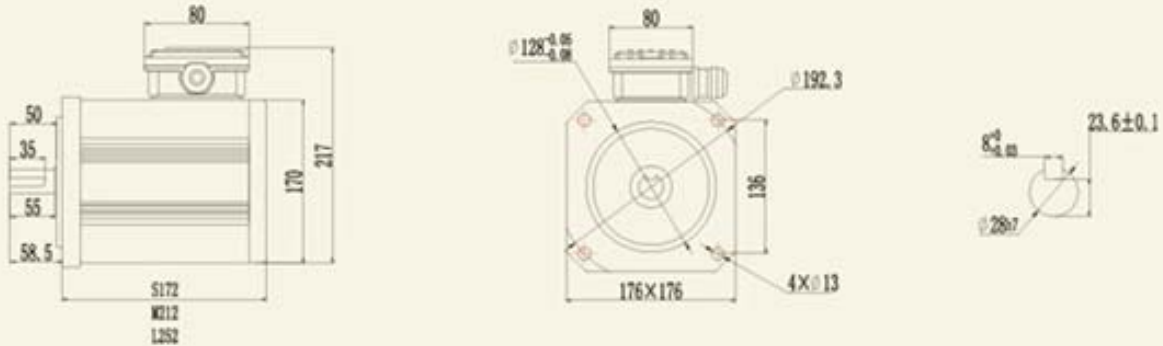


Three-Phase

TYPE	Rated Torque N.m	Frequency Hz	Rated Current A				Synchronous Speed rpm	Inertial Load Kg/c ²	Bearing Force		Weight kg	
			200V	220V	380V	415V			AD N	Radial N		
170TYD-S30	S	45	50	2.2	2.0	1.15	1.05	30	195	240	980	17.5
			60	2.1	1.9	1.1	1.0					
	M	66	50	2.65	2.4	1.38	1.26	30	270	220	920	23
			60	2.5	2.3	1.3	1.2					
	L	90	50	3.25	2.95	1.7	1.56	30	350	200	820	29
			60	3.1	2.8	1.65	1.5					
170TYD-S60	S	40	50	2.76	2.51	1.45	1.33	60	125	240	980	17.2
			60	2.6	2.38	1.42	1.31					
	M	60	50	3.33	3.03	1.75	1.6	60	180	220	920	22.8
			60	3.16	2.88	1.7	1.56					
	L	80	50	4.1	3.72	2.15	1.97	60	220	200	820	28.8
			60	3.9	3.54	2.1	1.9					

Mounting Dimension

(unit: mm)



All data is subject to confirmation by BROOK-MTL

BROOK-MTL, 63 Allens Road, East Tamaki, Auckland, New Zealand

Tel +64 9 271 6063 - Fax +64 9 271 6020 - www.brookmtl.co.nz - info@brookmtl.co.nz

Associate companies: Rotating Machinery Supplies, 6 Devon Road, Hamilton rotatingmachinery@clear.net.nz

Soco Electric Motors, 473 Tremain Ave, Palmerston North sales@soco.co.nz

E&OE

120TYD