

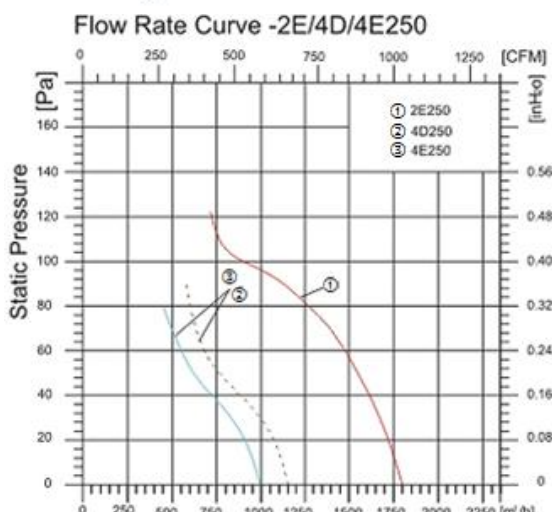
## AXIAL FAN

2E250, 4D250, 4E250

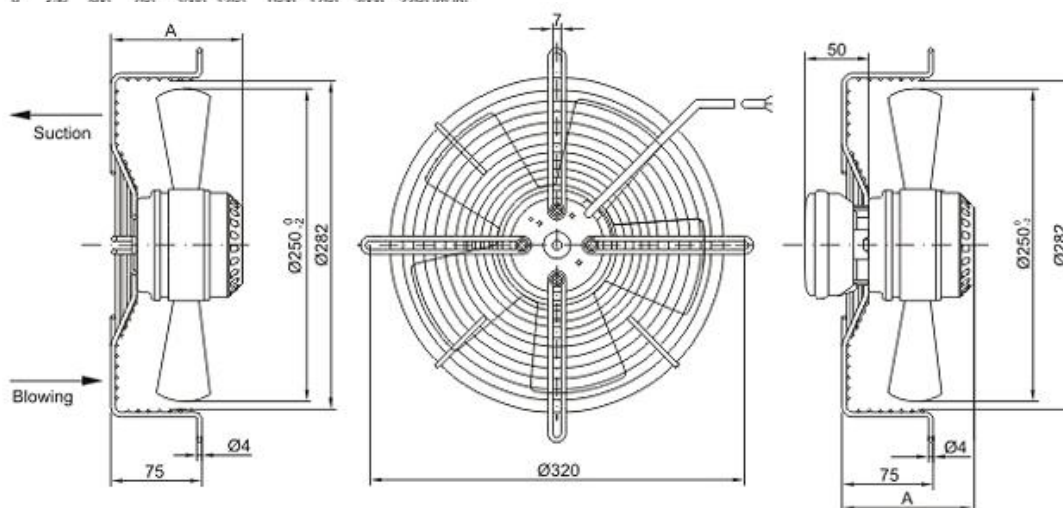
Available in Forced (B) and Induced (S) Draft

Code Description

| Code. | Description |       |          |
|-------|-------------|-------|----------|
|       | Pole        | Phase | Diameter |
| 2E250 | 2           | 1     | 250      |
| 4D250 | 4           | 3     | 250      |
| 4E250 | 4           | 1     | 250      |



| No. | Pst<br>Pa | Frequency<br>Hz | P1<br>W | I<br>A    |
|-----|-----------|-----------------|---------|-----------|
| ①   | 40        | 50              | 178     | 0.76      |
|     | 90        | 50              | 185     | 0.81      |
| ②   | 20        | 50/60           | 35/41   | 0.11/0.13 |
|     | 50        | 50/60           | 38/45   | 0.11/0.13 |
| ③   | 20        | 50/60           | 34/48   | 0.16/0.23 |
|     | 50        | 50/60           | 36/50   | 0.17/0.24 |



### Technical Parameter

| Model | Voltage<br>V | Frequency<br>Hz | Input power<br>W | Current<br>A | Air Volume<br>m <sup>3</sup> /h | Speed<br>min | Capacitor<br>uF | Noise<br>dBA | Max Environmental Temperature<br>C | Weight<br>Kg | A   |
|-------|--------------|-----------------|------------------|--------------|---------------------------------|--------------|-----------------|--------------|------------------------------------|--------------|-----|
| 2E250 | 230          | 50              | 180              | 0.78         | 1800                            | 2500         | 4               | 68           | 65                                 | 3.0          | 112 |
| 4E250 | 230          | 50/60           | 50/65            | 0.22/0.29    | 1000/1150                       | 1380/1530    | 1.5             | 50           | 75                                 | 2.5          | 104 |
| 4D250 | 230          | 50/60           | 60/70            | 0.13/0.15    | 1000/1150                       | 1350/1550    | -               | 50           | 75                                 | 2.7          | 102 |

All data is subject to confirmation by BROOK-MTL

E&OE

BROOK-MTL, 63 Allens Road, East Tamaki, Auckland, New Zealand  
Tel +64 9 271 6063 - Fax +64 9 271 6020 - [www.brookmtl.co.nz](http://www.brookmtl.co.nz) - [info@brookmtl.co.nz](mailto:info@brookmtl.co.nz)

Associate company: [Rotating Machinery Supplies](http://Rotating Machinery Supplies), 6 Devon Road, Hamilton [rotatingmachinery@clear.net.nz](mailto:rotatingmachinery@clear.net.nz)

AXIAL FAN 2E250/4E250/4D250