



**CROMPTON GREAVES**



### **Crompton Greaves Ltd.**

Crompton Greaves Ltd. Is a leading manufacturer of electric motors for the global industrial market with motor solutions which benefit a wide range of customers.

Our products are used in almost every industrial activity including water treatment, building services, chemical/petrochemicals, general processing and conveyors among others.

### **Quality Assurance**

Stringent quality procedures are observed from first design to finished product in accordance with the ISO9001 documented quality systems.

### **GD Series range**

The Crompton Greaves Ltd. Aluminum motor range covers products with outputs as little as 0.18Kw to 11Kw in frame sizes GDA63 to 132M. They are widely used in a diverse range of applications from food to drinking water and sewage, from heating and ventilating to refrigeration. Some of the benefits of aluminum over cast iron include high resistance to corrosion and atmospheric attack and the fact that aluminum is approximately one third the weight of cast iron.

### **Multi-Mount**

By simply changing the position of the feet, the user is able to obtain right, left or top mounted terminal box positions and by removing the standard endshield you can change it for a flange or face version.

### **Standards**

The motors conform to IS 325 IEC 34, IEC 72, BS 4999, BS 3979.

The motors meet EN 61000-3-2 VDE 0839 Teil 82-2, VDE 0875 Teil 14 standards and carry CE mark for Europe. Motors are also offered to CSA C22.2 NO. 100-95 and UL 1004 for safety and carry c-CSA-us mark for Canada and the U.S.A.

The standard TEFC, SCR, 50Hz motors are within the minimum EFF2 level efficiencies or higher as per IS12615 and CEMEP Agreement with EU for Energy Efficient Motors.



## GLOBAL MOTORS PRICE LIST

THREE PHASE,  
Aluminium, Class F, AS/NZS 1359.5:2004 Compliant



### TWO POLE THREE PHASE

2 POLE									\$PRICE EACH	
CODE	KW	Hp	FRAME	RPM	FULL LOAD AMPS 400V	EFFICIENCY FULL LOAD		WEIGHT KG	FOOTMOUNT B3	FLANGE MOUNT B5/B14
						100%	75%			
IMGE1006	0.18	0.25	GD63	2810	0.62	60	55	5.4	208	220
IMGE1009	0.25	0.33	GD63	2810	0.72	64	63	5.4	218	228
IMGE1012	0.37	0.5	GD71	2815	0.88	72	73	7	240	251
IMGE1015	0.55	0.75	GD71	2820	1.23	74	75	7	259	272
IMGE1018	0.75	1	GD80	2890	1.55	80.7	81	14	344	364
IMGE1021	1.1	1.5	GD80	2885	2.3	83.5	84.8	14	380	398
IMGE1027	1.5	2	GD90S	2880	3	84.2	84.5	15	464	486
IMGE1036	2.2	3	GD90L	2895	4.6	85.9	85.9	17	535	563
IMGE1042	3	4	GD100L	2880	5.3	87.1	88.7	27	632	662
IMGE1051	4	5.5	GD112M	2895	7.3	88.5	89.2	33	811	852
IMGE1057	5.5	7.5	GD132S	2930	10.6	90.5	90.5	50	1169	1228
IMGE1063	7.5	10	GD132S	2930	13.7	91	91.2	50	1266	1330
IMGE1066	11	15	GD132M	2945	19.6	92.2	92.5	100	1480	1554

### FOUR POLE THREE PHASE

4 POLE									\$PRICE EACH	
CODE	KW	Hp	FRAME	RPM	FULL LOAD AMPS 400V	EFFICIENCY FULL LOAD		WEIGHT KG	FOOTMOUNT B3	FLANGE MOUNT B5/B14
						100%	75%			
IMGE1099	0.18	0.25	GD63	1370	0.63	60	55	5.4	214	224
IMGE1102	0.25	0.33	GD71	1400	0.8	64	63	7	252	266
IMGE1105	0.37	0.5	GD71	1410	1.11	72	73	7	262	276
IMGE1111	0.55	0.75	GD80	1410	1.58	74	75	14	342	360
IMGE1114	0.75	1	GD80	1440	1.9	77.4	76.9	14	377	397
IMGE1117	1.1	1.5	GD90S	1425	2.5	79.6	80.7	15	448	470
IMGE1123	1.5	2	GD90L	1440	3.7	81.3	82.3	17	517	544
IMGE1129	2.2	3	GD100L	1435	5.1	83.2	85.4	27	593	623
IMGE1132	3	4	GD100L	1445	6.8	84.6	82.7	27	670	703
IMGE1138	4	5.5	GD112M	1440	8.7	85.8	89.2	33	856	899
IMGE1144	5.5	7.5	GD132S	1455	11.1	87	88.8	50	1184	1243
IMGE1147	7.5	10	GD132M	1460	14.7	88.1	88.4	56	1358	1424



**SIX POLE THREE PHASE**

6 POLE									\$PRICE EACH	
CODE	KW	Hp	FRAME	RPM	FULL LOAD AMPS 400V	EFFICIENCY FULL LOAD		WEIGHT KG	FOOTMOUNT B3	FLANGE MOUNT B5/B14
						100%	75%			
IMGE1177	0.18	0.25	GD71	910	0.75	61	59	7	252	264
IMGE1180	0.25	0.33	GD71	920	1.06	61	59	7	270	282
IMGE1183	0.37	0.5	GD80	920	1.27	69	68	14	359	377
IMGE1186	0.55	0.75	GD80	920	1.77	71	71	14	389	409
IMGE1189	0.75	1	GD90S	935	2.2	75.9	73.8	15	458	481
IMGE1192	1.1	1.5	GD90L	925	3	78.1	75.6	17	548	574
IMGE1195	1.5	2	GD100L	930	4.2	79.8	76.8	27	624	655
IMGE1198	2.2	3	GD112M	950	5.5	81.8	77.6	33	830	872
IMGE1201	3	4	GD132S	965	7.3	83.3	84.8	50	1063	1120
IMGE1204	4	5.5	GD132M	960	9.3	84.6	84.8	56	1254	1318
IMGE1207	5.5	7.5	GD132M	950	12.6	86	85.2	56	1441	1512

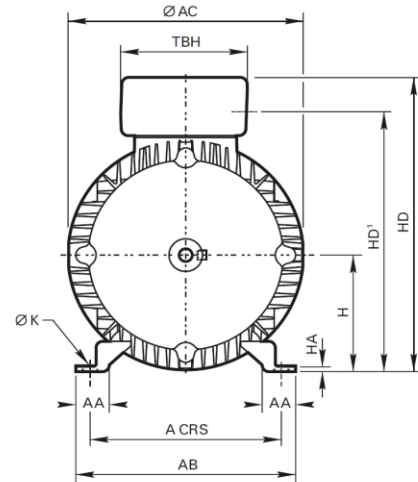
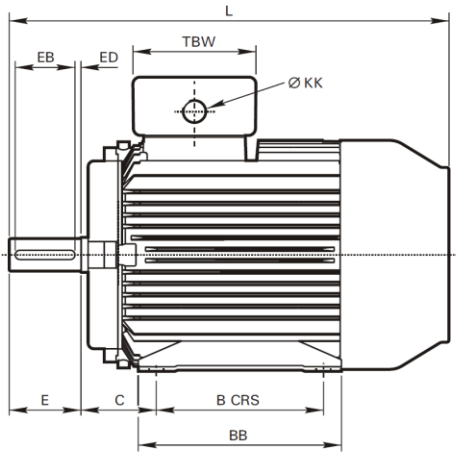
**EIGHT POLE THREE PHASE**

8 POLE									\$PRICE EACH	
CODE	KW	Hp	FRAME	RPM	FULL LOAD AMPS 400V	EFFICIENCY FULL LOAD		WEIGHT KG	FOOTMOUNT B3	FLANGE MOUNT B5/B14
						100%	75%			
IMGE1228	0.18	0.24	GD80	695	0.77	60	55	14	377	397
IMGE1231	0.25	0.33	GD80	695	1.2	59	56.5	14	455	468
IMGE1234	0.37	0.5	GD90S	700	1.63	62	59	15	552	569
IMGE1237	0.55	0.75	GD90L	680	2.3	64	62	17	578	607
IMGE1240	0.75	1	GD100L	690	2.64	69.5	68	27	820	844
IMGE1243	1.1	1.5	GD100L	690	3.7	71.5	70.5	27	866	891
IMGE1246	1.5	2	GD112M	690	4.4	74.5	74	33	1007	1057
IMGE1249	2.2	3	GD132S	720	5.9	82.5	83	50	1443	1487
IMGE1252	3	4	GD132M	720	7.8	84	84	56	1592	1673



## Dimensions

### Foot mounting - frame sizes 63 to 132M

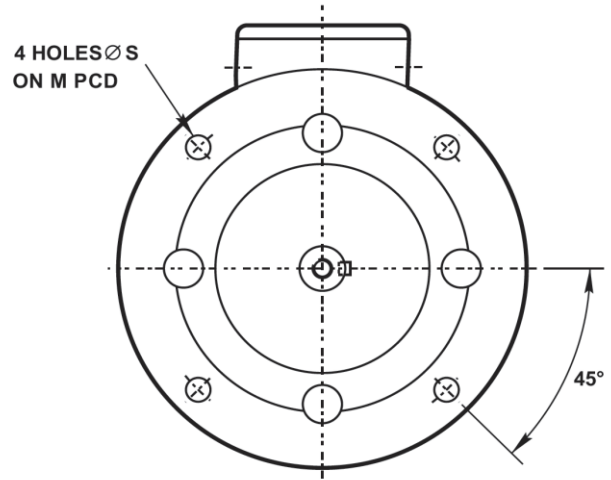
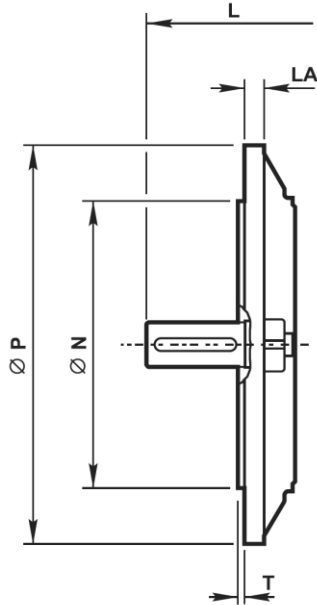


GENERAL									
FRAME SIZE	A	B	C	H	K	L	AA	AB	AC
GDA63	100	80	40	63	7	207	19	119	126
GDA71	112	90	45	71	7	238	19	131	140
GDA80	125	100	50	80	10	278	27	157	160
GDA90S	140	100	56	90	10	349	28	164	178
GDA90L	140	125	56	90	10	349	28	164	178
GDA100L	160	140	63	100	12	368	28	184	199
GDA112M	190	140	70	112	12	382	35	218	215
GDA132S	216	140	89	132	12	489	38	242	255
GDA132M	216	178	89	132	12	489	38	242	255

FRAME SIZE	TERMINAL BOX					
	BB	HA	HD	TBW	TBH	KK
GDA63	100	2	163	86	86	1XCM20
GDA71	110	2	186	86	86	1XCM20
GDA80	127	4	212	86	86	1XCM20
GDA90S	150	4	225	86	86	1XCM20
GDA90L	150	4	225	86	86	1XCM20
GDA100L	170	4	254	106	106	2XCM20
GDA112M	170	4	279	127	127	2XCM25
GDA132S	208	5	323	127	127	2XCM25
GDA132M	208	5	323	127	127	2XCM25

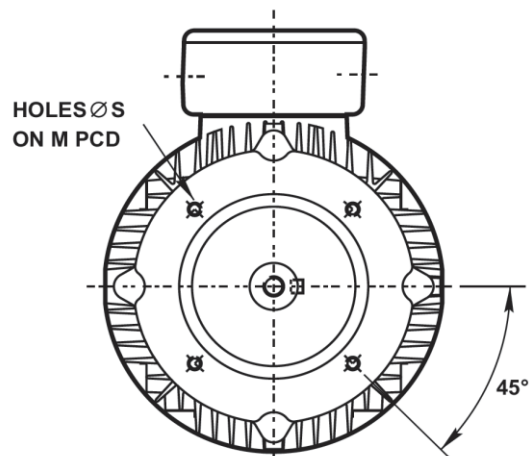
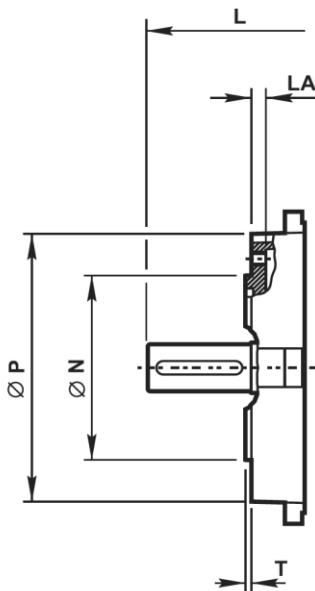


**B5 FLANGE MOUNT DIMENSIONS**



FRAME SIZE	M	N	P	S	T	LA
GDA63	115	95	140	10	3	7
GDA71	130	110	160	10	3.5	7
GDA80	165	130	200	12	3.5	12
GDA90	165	130	200	12	3.5	10
GDA100	215	180	250	14.5	4	12
GDA112	215	180	250	14.5	4	12
GDA132	265	230	300	14.5	4	12

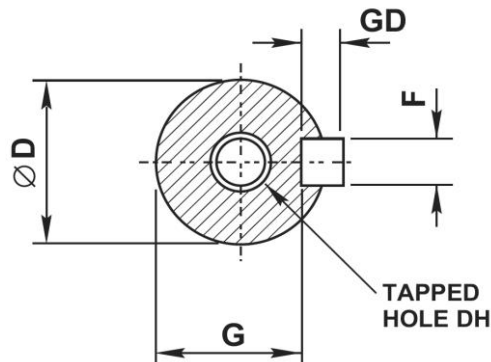
**B14 FACE MOUNTING DIMENSIONS**





FRAME SIZE	M	N	P	S	T	LA
GDA63	75	60	90	M5	2.5	7
GDA71	85	70	105	M6	2.5	9
GDA80	100	80	120	M6	3	9
GDA90	115	95	140	M8	3	9
GDA100	130	110	160	M6	3.5	12.5
GDA112	130	110	164	M8	3.5	13
GDA132	165	130	200	M10	3.5	14

**SHAFT DIMENSIONS**



FRAME SIZE	D	E	F	G	GD	EB	ED	DH
GDA63	11	23	4	8.5	4	10	0	M4X10
GDA71	14	30	5	11	5	20	5	M5X12.5
GDA80	19	40	6	15.5	6	32	4	M6X16
GDA90	24	50	8	20	7	40	5	M8X19
GDA100	28	60	8	23.9	7	50	5	M10X22
GDA112	28	60	8	23.9	7	50	5	M10X22
GDA132	38	80	10	33	8	70	5	M12X28